

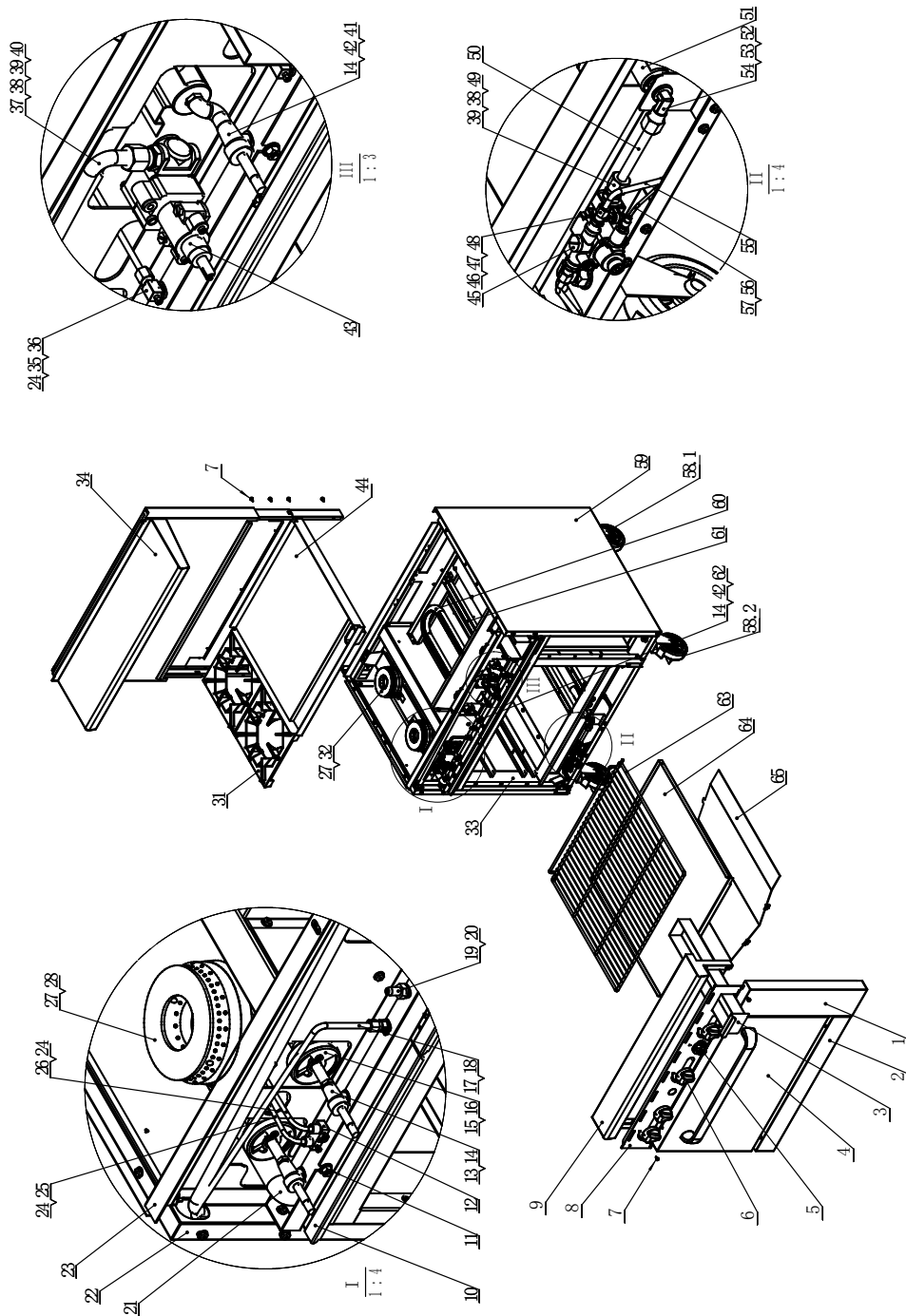
Appendix 2. Explosive view of product and parts

AGR-2B-24GR(NG/LG)/AGR-2B-24GL(NG/LG)

The use of parts provided by other companies, our company has the right not to provide warranty service;

Order replacement parts from authorized representatives and after-sale service agency.

Provide the model number, serial number and description when you order components.



No.	Matters Code	Component name	Qty	Dimensions (mm)/Model	Notes
1	21107005069	Oven door side panel	1		
2	21107001064	Underside face plate of oven	1		
3	21207001009	Griddle oil Box accessory	1		
4	21207001010	Oven door assembly	1	755*460*52	
5	301140008	Oven thermostat valve knob	1		
6	301140001	Kirsite knob	4		
7	301081037	Galvanized hexagon head flange face self-tapping screw	42	ST4.8*12.5	
8	21107008068	Control panel	1		AGR-2B-2 4GR(NG/L G)
	21107009068				AGR-2B-2 4GL(NG/L G)
9	21207005004	Table-board front board assembly	1	914*125*189	
10	21107003067	Catch tray of gas restaurant ranges	1		
11	301080002	Galvanized flange nut	5	M6	
12	301030007	Pilot light valve-double unit	1		
13	301040153	Gas restaurant ranges nozzle(NG)	2	NG38 Φ 2.57	
	301040154	Gas restaurant ranges nozzle(LP)		LP51 Φ 1.70	
14	301030002	Stopcock	4	A18	
15	301081002	Stainless steel cross pan head screw	2	M4*8	
16	301990001	Air door cover of gas restaurant ranges	2		
17	301030037	Normally open fire valve (single)	1	AP5-2	
18	301050037	Pilot fire input fire of oven (left)	1		AGR-2B-2 4GL(NG/L G)

	301050043	Pilot fire input fire of oven (left)	1		AGR-2B-2 4GR(NG/L G)
19	301060001	Needle type pressure measuring connector	1	NPT 1/8"-27	
20	301060002	Needle type pressure measuring connector screw	1	M5*23	
21	301070042	input pipe	1		AGR-2B-2 4GR(NG/L G)
	301070043				AGR-2B-2 4GL(NG/L G)
22	21107001060	Side block panel (left)	1		
23	21207008004	Upper stove body assembly	1	910*710*200	AGR-2B-2 4GR(NG/L G)
	21207009004				AGR-2B-2 4GL(NG/L G)
24	301060003	Pilot light head	4	A73007/TipΦ4.7	
25	21107001084	Pilot light intake pipe of gas restaurant ranges (short)	1		
26	21107001085	Pilot light intake pipe of gas restaurant ranges (long)	1		
27	301020040	Burner lid	2		
28	301020041	Short ejector	1		
31	301020016	Octangular cooking grates	2		
32	301020042	Long ejector	1		
33	21207005001	Lower stove body assembly	1	910*696*572	
34	21207005005	Back guard assembly	1	1524*340*967	
35	21107001071	Griddle spark air inlet(U)	2		AGR-2B-2 4GR(NG/L G)
	21107001073	Griddle spark air inlet(I)			AGR-2B-2 4GL(NG/L G)
36	301030001	Normally open fire valve (single)	2		

37	301050034	Main fire intake pipe of stove (left)	1		AGR-2B-2 4GR(NG/L G)
	301050045	Main fire intake pipe of stove (left)	1		AGR-2B-2 4GL(NG/L G)
38	301050012	Copper hoop	4	Φ10	
39	301080007	Copper nut	4	M16	
40	301060051	Copper connector	1	1/4" to M16	
41	301040028	Griddle I-shaped burner nozzle(NG)	1	NG45 Φ2.1	
	301040029	Griddle I-shaped burner nozzle(LP)		LP54 Φ1.45	
42	301050040	Z-shape adapter	2		
43	301030038	Oven thermostat valve	1	BJWA-25PD0548	
44	21207012008	Griddle plate accessory	1	610*608*60	AGR-2B-2 4GR(NG/L G)
	21207009008				AGR-2B-2 4GL(NG/L G)
45	301030039	Oven safety valve	1		
46	301060054	Copper connector	2	7/16" to M10	
47	301050039	Copper hoop	2	Φ6	
48	301060053	Copper nut	2	M10	
49	301060052	Copper connector	2	11/16" to M16	
50	21107001072	Main fire intake pipe of stove	1		
51	301010011	Stove burner	1		
52	301040030	Oven burner nozzle(NG)	1	NG39 Φ2.5	
	301040027	Oven burner nozzle(LP)		LP52 Φ1.6	
53	301080008	Bronze locknut	1		
54	301050014	Male copper elbow	1	M16 to 3/8"-27UNS	
55	301050036	Pilot fire exit tube of stove	1		
56	301030049	Thermocouple	1		
57	301030041	Kindling support(NG)	1		
	301030042	Kindling support(LP)			
58.1	301990036	wheels without brake	2		
58.2	301990035	wheels with brake	2		
59	21107001061	Side block panel (right)	1		
60	301010007	U-shaped burner	1		

61	301010012	I-shaped burner	1		
62	301040026	Griddle U-shaped burner nozzle(NG)	1	NG42 Φ 2.3	
	301040027	Griddle U-shaped burner nozzle(LP)		LP52 Φ 1.6	
63	301100012	Stove net rack	2		
64	21407001005	Stove base plate	1		
65	21107001062	Radiant panel of stove	1		

Appendix 3. Accessories List

AGR-2B-24GR(NG/LG)/AGR-2B-24GL(NG/LG)

Accessory	Accessory No.	Quantity of accessories
wheels without brake	301990036	2 pcs
wheels with brake	301990035	2 pcs
Underside face plate of stove	21107001064	1 pcs
Stove net rack	301100012	2 pcs
Rear panel assembly of stove	21207005005	1 pc
Galvanized hexagon head flange face self-tapping screw	301081037	19 pcs
M6*12 stainless steel hexagon bolt	301081019	2 pcs

M6 galvanized flat gasket	301082001	2 pcs
M6 stainless steel spring washer	301082018	2 pcs
Pressure maintaining valve	301030011 (natural gas)	1 pc
	301030013 (liquefied gas)	
Instructions and attached drawings		1 pc

Our products have the advantages of good durability and low maintenance charge. But to update some components and necessary maintenance, can prolong life length of the products. Contact the dealer for assistance. To avoid confusion, please follow the format of “Appendix 2. Explosive view of product and parts” in this manual.