

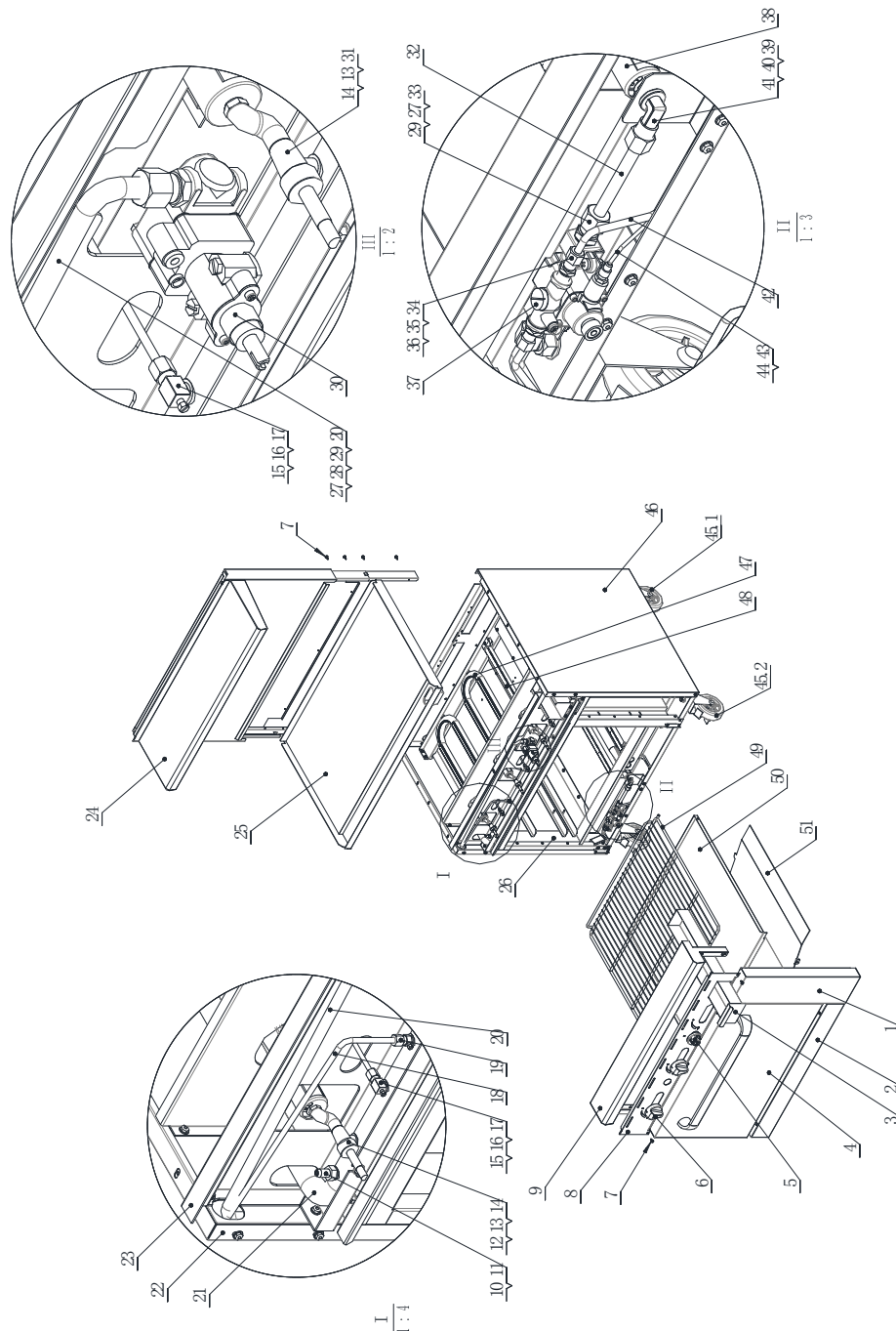
Appendix 2. Explosive view of product and parts

ATO-36G(NG/LG)

The use of parts provided by other companies, our company has the right not to provide warranty service;

Order replacement parts from authorized representatives and after-sale service agency.

Provide the model number, serial number and description when you order components.



No.	Matters Code	Component name	Qty	Dimensions (mm)/Model	Notes
1	21107005069	Oven door side panel	1		
2	21107001064	Underside face plate of oven	1		
3	21207001009	Griddle oil Box accessory	1		
4	21207001010	Oven door assembly	1	755*460*52	
5	301140008	Oven thermostat valve knob	1		
6	301140001	Kirsite knob	3		
7	301081037	Galvanized hexagon head flange face self-tapping screw	40	ST4.8*12.5	
8	21107010068	Control panel	1		
9	21207005004	Table-board front board assembly	1	914*125*189	
10	301060002	Needle type pressure measuring connector screw	1	M5*23	
11	301060001	Needle type pressure measuring connector	1	NPT 1/8"-27	
12	301040026	Griddle U-shaped burner nozzle (NG)	2	NG42 Φ2.3	
	301040027	Griddle U-shaped burner nozzle (LP)		LP52 Φ1.6	
13	301050040	Z-shape adapter	3		
14	301030002	Stopcock	3		
15	301060003	Pilot light head	3	A73007/TipΦ4.7	
16	21107001071	Griddle spark air inlet (U)	3		
17	301030001	Normally open fire valve (single)	3		
18	301050043	Pilot fire input fire of oven (left)	1		
19	301030037	Normally open fire valve (single)	1	AP5-2	
20	301050034	Main fire intake pipe of stove (left)	1		
21	301070044	input pipe	1		
22	21107001060	Side block panel (left)	1		
23	21207010003	Upper stove body assembly	1	910*710*200	
24	21207005005	Back guard assembly	1	1524*340*967	
25	21207004008	Griddle plate accessory	1	910*608*60	
26	21207005001	Lower stove body assembly	1	910*696*572	
27	301050012	Copper hoop	4	Φ10	
28	301060051	Copper connector	1	1/4" to M16	
29	301080007	Copper nut	4	M16	
30	301030038	Oven thermostat valve	1	BJWA-25PD0548	

31	301040028	Griddle I-shaped burner nozzle (NG)	1	NG45 Φ2.1	
	301040029	Griddle I-shaped burner nozzle(LP)		LP54 Φ1.45	
32	21107001072	Main fire intake pipe of stove	1		
33	301060052	Copper connector	2	11/16" to M16	
34	301060053	Copper nut	2	M10	
35	301050039	Copper hoop	2	Φ6	
36	301060054	Copper connector	2	7/16" to M10	
37	301030039	Oven safety valve	1	TS11J-3211-1-0	
38	301010011	Stove burner	1		
39	301040030	Oven burner nozzle(NG)	1	NG39 Φ2.5	
	301040027	Oven burner nozzle(LP)		LP52 Φ1.6	
40	301080008	Bronze locknut	1		
41	301050014	Male copper elbow	1	M16 to 3/8"-27UNS	
42	301050036	Pilot fire exit tube of stove	1		
43	301030049	Thermocouple	1		
44	301030041	Kindling support(NG)	1		
	301030042	Kindling support(LP)			
45.1	301990036	wheels without brake	2		
45.2	301990035	wheels with brake	2		
46	21107001061	Side block panel (right)	1		
47	301010007	U-shaped burner	2		
48	301010012	I-shaped burner	1		
49	301100012	Stove net rack	2		
50	21407001005	Stove base plate	1		
51	21107001062	Radiant panel of stove	1		

Appendix 3. Accessories List ATO-36G(NG/LG)

Accessory	Accessory No.	Quantity of accessories
wheels without brake	301990036	2 pcs
wheels with brake	301990035	2 pcs
Underside face plate of stove	21107001064	1 pcs
Stove net rack	301100012	2 pcs
Rear panel assembly of stove	21207005005	1 pc
Galvanized hexagon head flange face self-tapping screw	301081037	19 pcs
M6*12 stainless steel hexagon bolt	301081019	2 pcs
M6 galvanized flat gasket	301082001	2 pcs
M6 stainless steel spring washer	301082018	2 pcs
Pressure maintaining valve	301030011 (natural gas)	1 pc
	301030013 (liquefied gas)	
Instructions and attached drawings		1 pc

Our products have the advantages of good durability and low maintenance charge. But to update some components and necessary maintenance, can prolong life length of the products. Contact the dealer for assistance. To avoid confusion, please follow the format of “Appendix 2. Explosive view of product and parts” in this manual.