

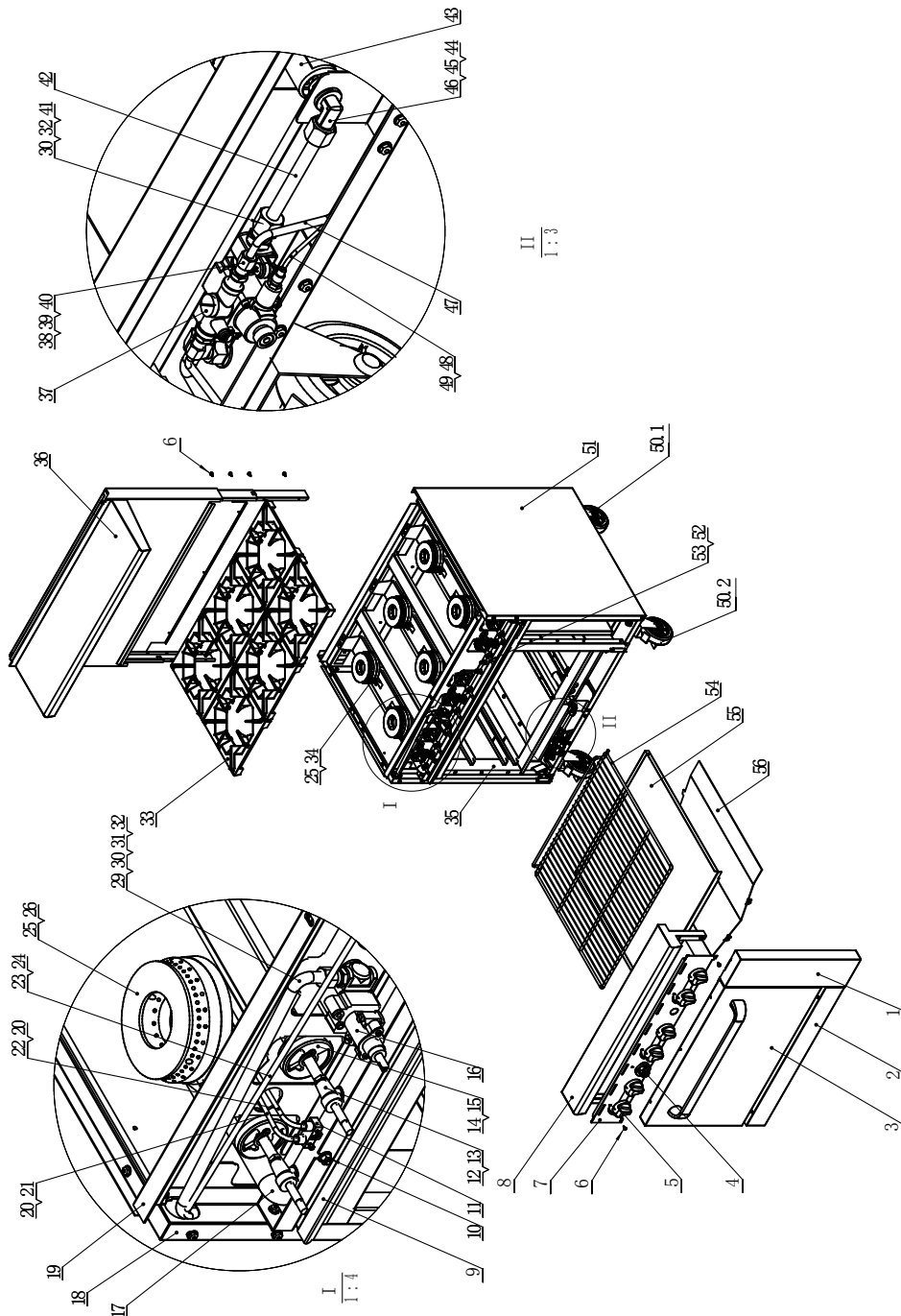
Appendix 2. Explosive view of product and parts

AGR-6B(NG/LG)

The use of parts provided by other companies, our company has the right not to provide warranty service;

Order replacement parts from authorized representatives and after-sale service agency.

Provide the model number, serial number and description when you order components.



No.	Matters Code	Component name	Qty	Dimensions (mm)/Model	Notes
1	21107005069	Oven door side panel	1		
2	21107001064	Underside face plate of oven	1		
3	21207001010	Oven door assembly	1	755*460*52	
4	301140008	Oven thermostat valve knob	1		
5	301140001	Kirsite knob	6		
6	301081037	Galvanized hexagon head flange face self-tapping screw	44	ST4.8*12.5	
7	21107005068	Control panel	1		
8	21207005004	Table-board front board assembly	1	914*125*189	
9	21107001067	Catch tray of gas restaurant ranges	1		
10	301080002	Galvanized flange nut	3	M6	
11	301030007	Pilot light valve-double unit	3	AP6-1	
12	301040153	Gas restaurant ranges nozzle(NG)	6	NG38 Φ2.57	
	301040154	Gas restaurant ranges nozzle(LP)		LP51 Φ1.70	
13	301030002	Stopcock	6		
14	301081002	Stainless steel cross pan head screw	6	M4*8	
15	301990001	Air door cover of gas restaurant ranges	6		
16	301030038	Oven thermostat valve	1	BJWA-25PD0548	
17	301070039	input pipe	1		
18	21107001060	Side block panel (left)	1		
19	21207005009	Upper stove body assembly	1	910*710*200	
20	301060003	Pilot light head	6	A73007/TipΦ4.7	
21	21107001084	Pilot light intake pipe of gas restaurant ranges (short)	3		
22	21107001085	Pilot light intake pipe of gas restaurant ranges (long)	3		
23	301050037	Pilot fire input fire of oven (left)	1		
24	301030037	Normally open fire valve (single)	1	AP5-2	
25	301020040	Burner lid	6		
26	301020041	Short ejector	3		
29	301050045	Main fire intake pipe of stove (left)	1		
30	301050012	Copper hoop	4	Φ10	
31	301060051	Copper connector	1	1/4" to M16	
32	301080007	Copper nut	4	M16	
33	301020016	Octangular cooking grates	6		

34	301020042	Long ejector	3		
35	21207005001	Lower stove body assembly	1	910*696*572	
36	21207005005	Back guard assembly	1	1524*340*967	
37	301030039	Oven safety valve	1	TS11J-3211-1-0	
38	301060054	Copper connector	2	7/16" to M10	
39	301050039	Copper hoop	2	Φ6	
40	301060053	Copper nut	2	M10	
41	301060052	Copper connector	2	1 1/16" to M16	
42	21107001072	Main fire intake pipe of stove	1		
43	301010011	Stove burner	1		
44	301040030	Oven burner nozzle	1	NG39 Φ2.5	
	301040027			LP52 Φ1.6	
45	301080008	Bronze locknut	1		
46	301050014	Male copper elbow	1	M16 to 3/8"-27UNS	
47	301050036	Pilot fire exit tube of stove	1		
48	301030049	Thermocouple	1		
49	301030041	Kindling support	1		
	301030042				
50.1	301990036	wheels without brake	2		
50.2	301990035	wheels with brake	2		
51	21107001061	Side block panel (right)	1		
52	301060002	Needle type pressure measuring connector screw	1	M5*23	
53	301060001	Needle type pressure measuring connector	1	NPT 1/8"-27	
54	301100012	Stove net rack	2		
55	21407001005	Stove base plate	1		
56	21107001062	Radiant panel of stove	1		

Appendix 3. Accessories List AGR-6B(NG/LG)

Accessory	Accessory No.	Quantity of accessories
wheels without brake	301990036	2 pcs
wheels with brake	301990035	2 pcs
Underside face plate of stove	21107001064	1 pcs
Stove net rack	301100012	2 pcs
Rear panel assembly of stove	21207005005	1 pc
Galvanized hexagon head flange face self-tapping screw	301081037	19 pcs
M6*12 stainless steel hexagon bolt	301081019	2 pcs
M6 galvanized flat gasket	301082001	2 pcs
M6 stainless steel spring washer	301082018	2 pcs
Pressure maintaining valve	301030011 (natural gas)	1 pc
	301030013 (liquefied gas)	
Instructions and attached drawings		1 pc

Our products have the advantages of good durability and low maintenance charge. But to update some components and necessary maintenance, can prolong life length of the products. Contact the dealer for assistance. To avoid confusion, please follow the format of “Appendix 2. Explosive view of product and parts” in this manual.