

11. Spare Parts

⚠ The use of parts provided by other companies, our company has the right not to provide warranty service;

⚠ Order replacement parts from authorized representatives and after-sale service agency.

⚠ Provide the model number, serial number and description when you order components.

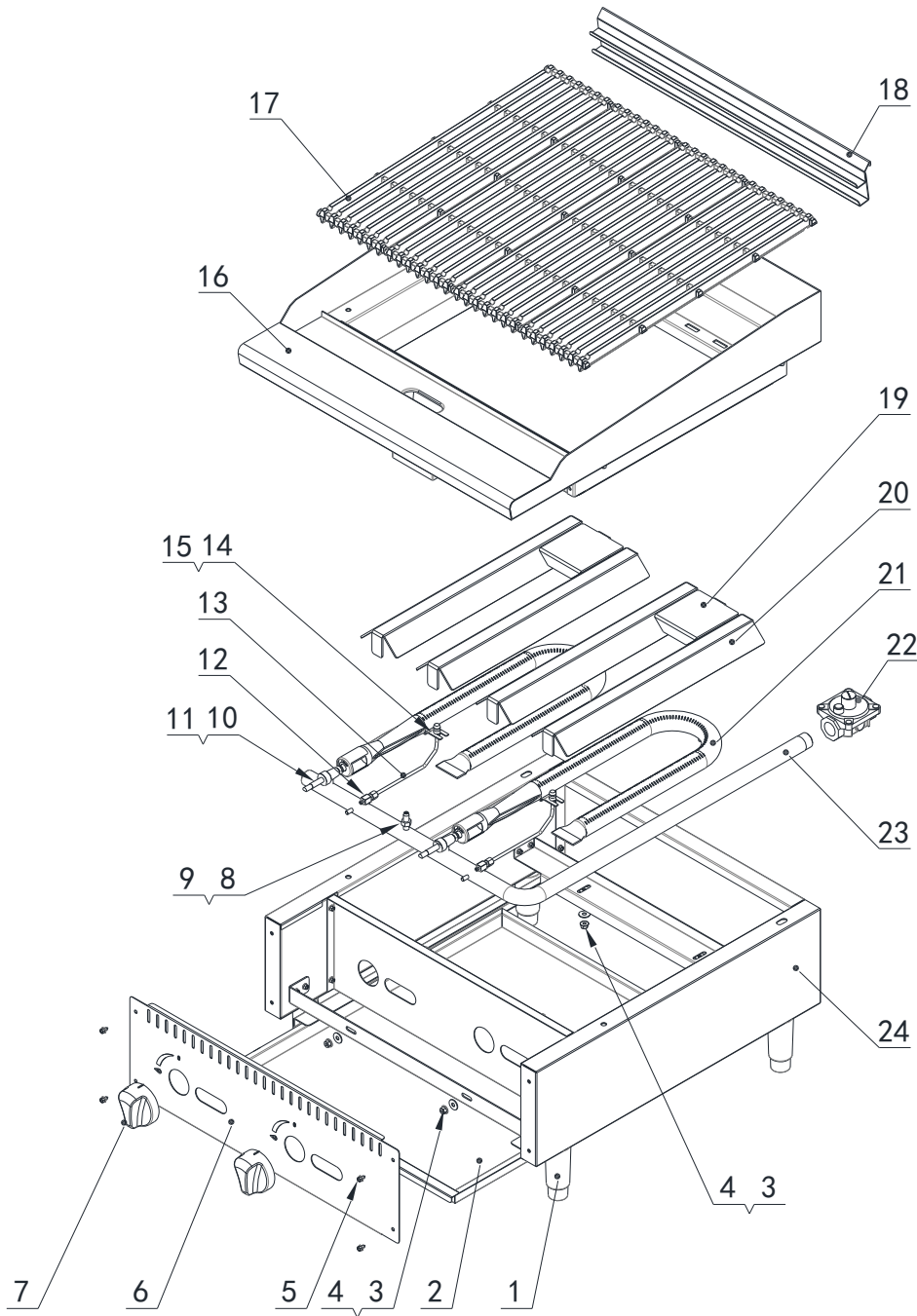


Fig. 11

〈Table 4〉

No.	Matters Code	Component name	Qty	Dimensions (mm)/Model	Remark
1	301110001	Adjustable steel leg	4	φ 41.5*100	ATRC-24\36\48
2	21105001001	Catch tray	1	507*620*26.5	ATRC-24
	21105002001			807*620*26.5	ATRC-36
	21105003001			1107*620*26.5	ATRC-48
3	301080002	Galvanized flange face nut	6	M6	ATRC-24
			9		ATRC-36
			11		ATRC-48
4	301082001	Galvanized flat grommet	4	φ 6* φ 10	ATRC-24
			6		ATRC-36
			7		ATRC-48
5	301081006	Galvanized American outside six corner with pad tapping	24	ST4.8*12.5	ATRC-24\36\48
6	21105001002	Control panel	1	605*185	ATRC-24
	21105002002			905*185	ATRC-36
	21105002002			1205*185	ATRC-48
7	301140001	Kirsite knob	2		ATRC-24
			3		ATRC-36
			4		ATRC-48
8	301060001	Needle type pressure joint	1	1/8"-27NPT	ATRC-24\36\48
9	301060002	Needle type pressure joint screw arbor	1	M5*23	ATRC-24\36\48
10	301030002	A18 stopcock	2	A18-318	ATRC-24
			3		ATRC-36
			4		ATRC-48

11	301040006 (NG) 301040007 (LP)	A18 nozzle (NG) A18 nozzle (LP)	2	NG36 LP50	ATRC-24
			3		ATRC-36
			4		ATRC-48
12	301030001	Pilot light valve-single unit	2	AP7-1	ATRC-24
			3		ATRC-36
			4		ATRC-48
13	21102001030	Air input pipe	2	$\phi 4.7 \times 0.6$ L=400	ATRC-24
			3		ATRC-36
			4		ATRC-48
14	301170015	Pilot light head stator	2		ATRC-24
			3		ATRC-36
			4		ATRC-48
15	301060003	Pilot light head	2	A73007/TiP $\phi 4.7$	ATRC-24
			3		ATRC-36
			4		ATRC-48
16	21205001001	countertop	1	610*700*218	ATRC-24
	21205002001			910*700*218	ATRC-36
	21205003001			1210*700*218	ATRC-48
17	301020003	grates	4	150*525*22	ATRC-24
			6		ATRC-36
			8		ATRC-48
18	21205001003	Char grate back support brace	1	L=600	ATRC-24
	21205002003			L=900	ATRC-36
	21205003003			L=1200	ATRC-48
19	301170002	Radiants (short)	2	92*103	ATRC-24
			3		ATRC-36
			4		ATRC-48
20	301170001	Radiants (long)	4	L=451	ATRC-24
			6		ATRC-36
			8		ATRC-48
21	301010007	U-type burner	2		ATRC-24
			3		ATRC-36
			4		ATRC-48

22	301030014	pressure maintaining valve	1	4" -10"	ATRC-24\36\48
23	301070001	24" countertop char broiler intake-tube	1	Φ26-503*648	ATRC-24
	301070002	36" countertop char broiler intake-tube		Φ26-803*648	ATRC-36
	301070003	48" countertop char broiler intake-tube		Φ26-1113*648	ATRC-48
24	21205001002	surround	1	600*640*203	ATRC-24
	21205002002			900*640*203	ATRC-36
	21205003002			1200*640*203	ATRC-48

12. Accessories List

<Table 5>

Name	Model			
	Qty	ATRC-24	ATRC-36	ATRC-48
Adjustable steel legs		4 pieces	4 pieces	4 pieces
Catch tray		1 piece	1 piece	1 piece
pressure maintaining valve		1 piece	1 piece	1 piece
A18 Orifice		2 pieces	3 pieces	4 pieces
instructions		1 piece	1 piece	1 piece

Notice:

- 1、Pressure maintaining valve connects with air intake, must be installed by authorized and licensed technicians, to assure interface tightness.
- 2、Screw the hex nut (Fig. 12) before connect air intake, ensure gas mark (Fig. 13) on the plastic core whether match with connected gas source, if not, then pull out the plastic core and change another head, insert it again. The same as exchanging gas source.