

⚠ Order replacement parts from authorized representatives and after-sale service agency.

⚠ Provide the model number, serial number and description when you order components.

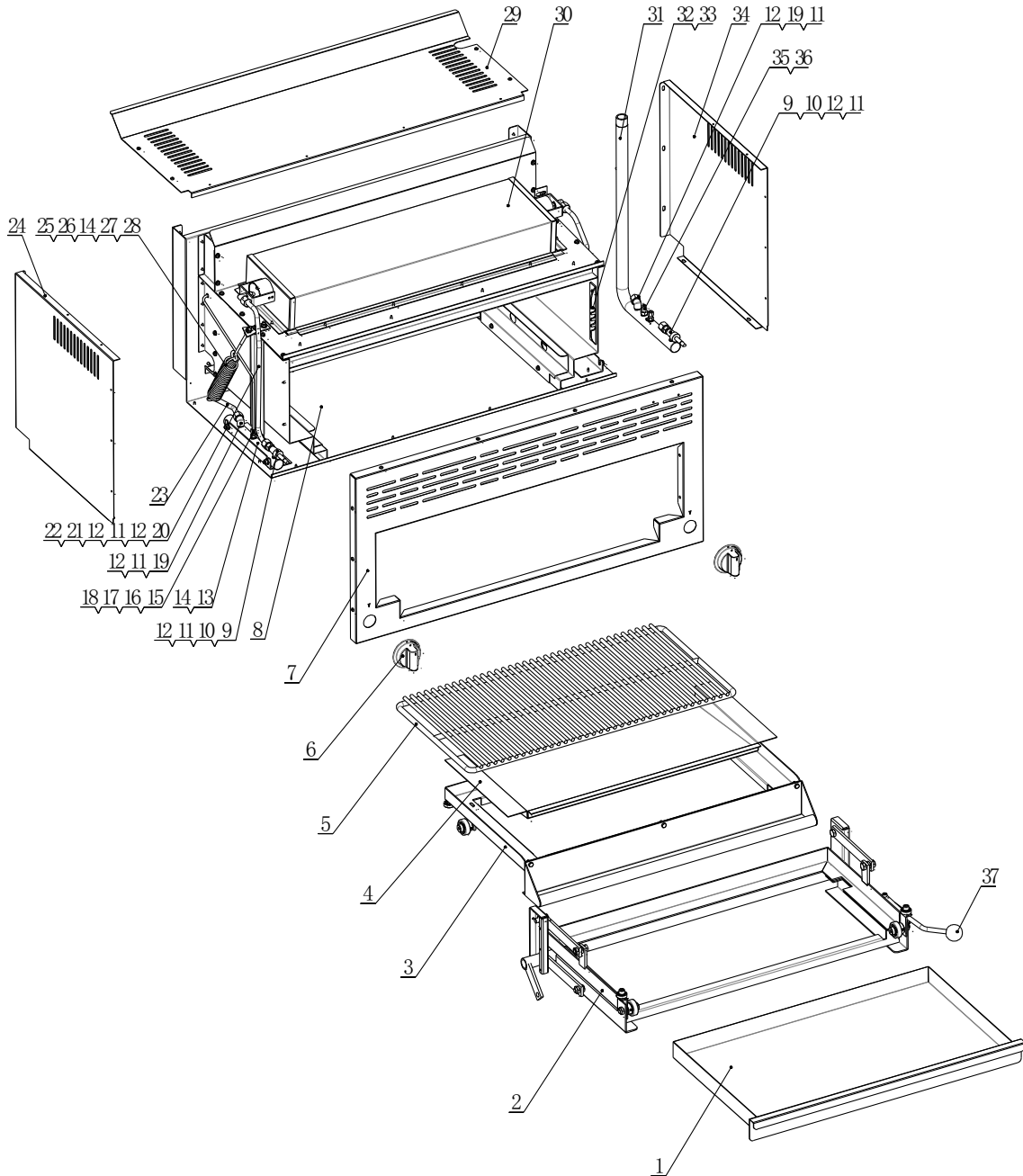


Figure 5

<Table 6>

No.	Matters Code	Component name	Qty	Dimensions (mm)/Model	Remark
-----	--------------	----------------	-----	-----------------------	--------

1	21208001008	Catch tray	1	715*410*60	ATSB-36
	21108002033			770*395*27	ATCM-36
2	21208001002	Lifting parts	1	845*463*200	ATSB-36
3	21208001006	sliding parts	1	730*445*96	ATSB-36
4	21108001047	Oil guide plate	1	708*300*15	ATSB-36
5	301100014	Net Rack	1	710*356*19	ATSB-36
	301100015			770*365*26	ATCM-36
6	301140012	knob	2		ATSB (CM) -36
7	21108001045	Front Control panel	1	915*440*26	ATSB-36
	21108002045				ATCM-36
8	21208001001	stove body assembly	1	910*454*435	ATSB-36
	21208002001				ATCM-36
9	301030002	A18 stopcock	2	A18-318	ATSB (CM) -36
10	301050047	Copper connector	2	3/8 to M16	ATSB (CM) -36
11	301050012	Copper hoop	6	Φ 10	ATSB (CM) -36
12	301080007	Copper nut	6	M16	ATSB (CM) -36
13	301070061	ATSB-36 input pipe (left)	1		ATSB (CM) -36
14	301080002	Galvanized flange nut	9	M6	ATSB (CM) -36
15	301030037	Normally open fire valve (single)	2	AP5-2	ATSB (CM) -36
16	301050006	Pilot fire input fire	2	φ 6.35 bellows	ATSB (CM) -36
17	21108001051	Pilot light head stator	2		ATSB (CM) -36
18	301030046	Kindling support (NA)	2	TYPE-5	ATSB (CM) -36
	301030047	Kindling support (L. P.)			
19	301050048	copper elbow	2	1/8 to M16	ATSB (CM) -36
20	301050049	Pilot fire intake pipe	2	φ 10 bellows	ATSB (CM) -36
21	301050051	copper elbow	2	1/4 to M16	ATSB (CM) -36
22	301050052	nozzle (NG)	2	#47	ATSB (CM) -36
	301050053	nozzle (LP)		#54	
23	301050050	Inlet connection pipe	1	φ 10 bellows	ATSB (CM) -36
24	21108001052	Side block panel (left)	1	453*438*27	ATSB (CM) -36
25	301081013	Galvanized hexagonal bolt	2	M6*16	ATSB-36
26	301170051	stator of connecting rod	1		ATSB-36
27	301060065	connecting rod of spring	1		ATSB-36

28	301990018	extension spring	1		ATSB-36
29	21108001044	upper cover	1		ATSB(CM)-36
30	301010014	ATSB-36 burner	1		ATSB(CM)-36
31	301070060	ATSB-36 input pipe	1		ATSB(CM)-36
32	21108001046	Lift the adjustment slot	1		ATSB-36
33	301081030	Nickel plated cross pan head self-drilling screw	22	ST4. 8*12. 5	ATSB(CM)-36
34	21108001043	Side block panel (right)	1	453*438*27	ATSB(CM)-36
35	301060001	Needle type pressure joint	1	1/8"-27NPT	ATSB(CM)-36
36	301060002	Needle type pressure joint screw arbor	1	M5*23	ATSB(CM)-36
37	301120014	ball knob	1		ATSB-36

12、Accessories List

<Table 7>

Name	Code	Qty
Net Rack	301100014 (ATSB-36)	1 pieces
	301100015 (ATCM-36)	
pressure maintaining valve	301030011 (NA)	1 pieces
	301030013 (L. P.)	
instructions	304080151	1 pieces
the connecting rod	21108001042	2 pieces
setscrew	301081046	4 pieces

Notice:

1、 Pressure maintaining valve connects with air intake, must be installed by authorized and licensed technicians, to ensure interface tightness.

2、 The pressure regulator(s) have connected, the maximum load of natural gas cannot exceed 6” , and of LP cannot exceed 12” .

3、 Adjustment range of the pressure regulator(s) is 3” -6” for natural gas, and 5” -12” for L. P. .