

MBF8001GR

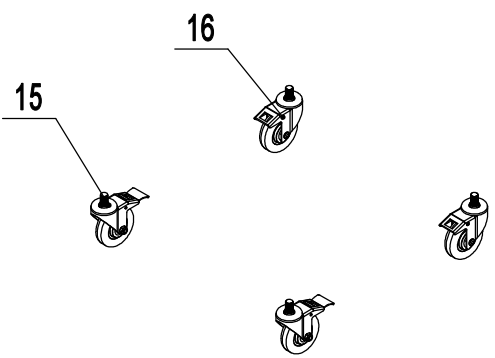
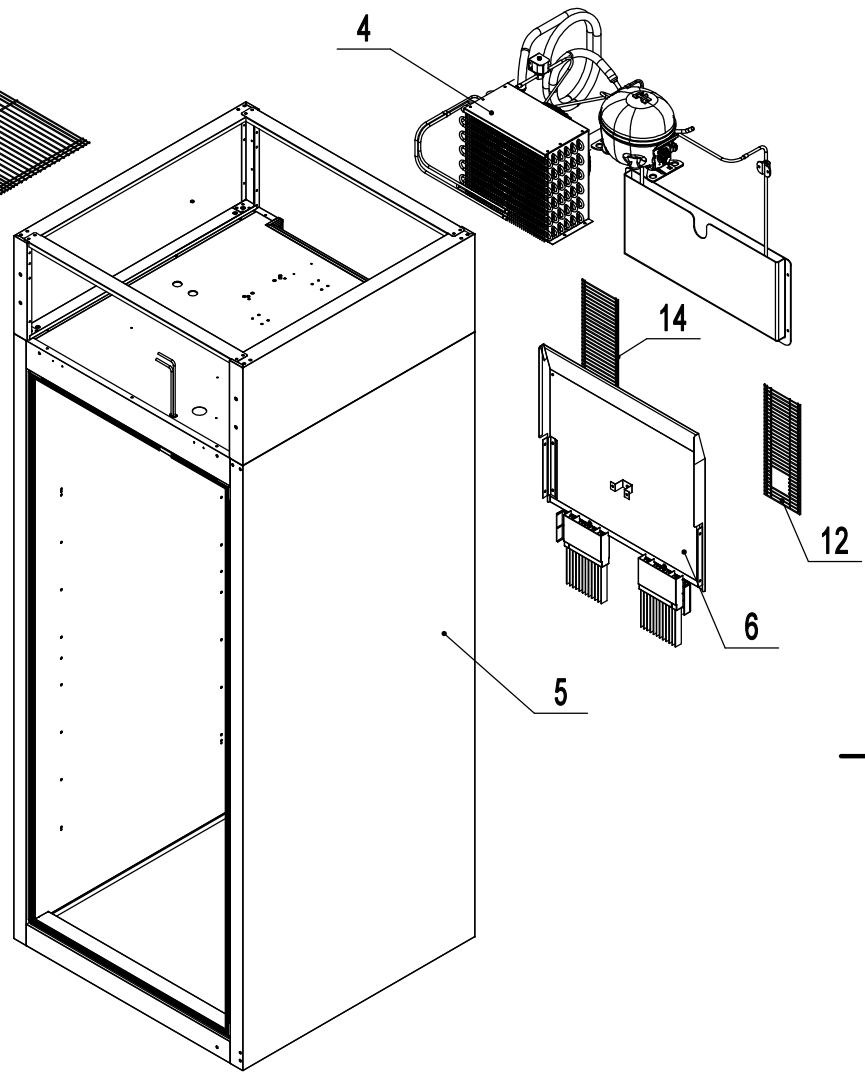
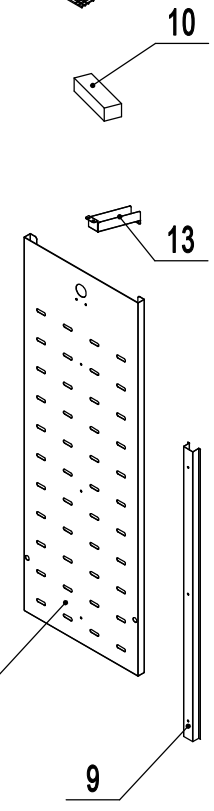
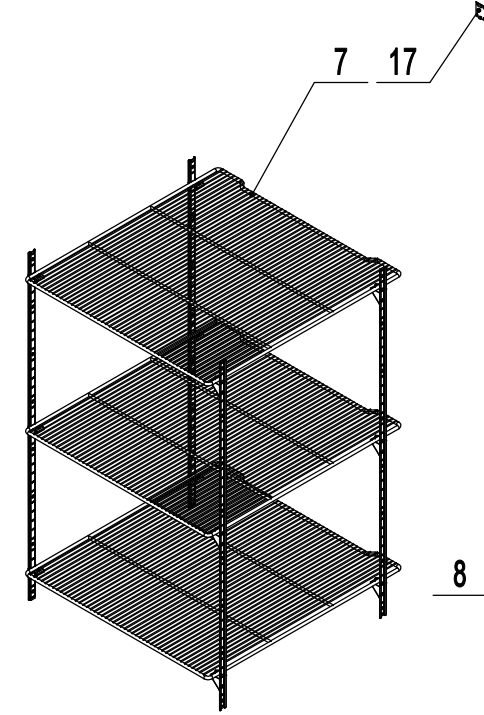
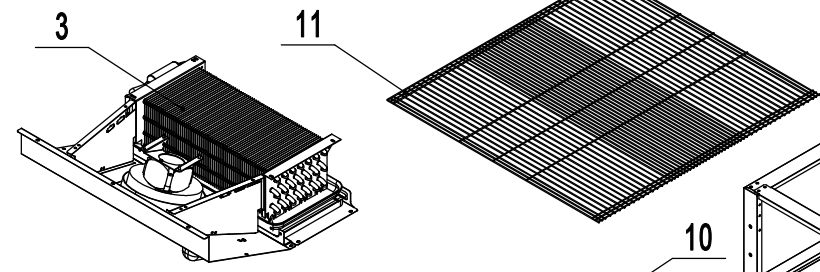
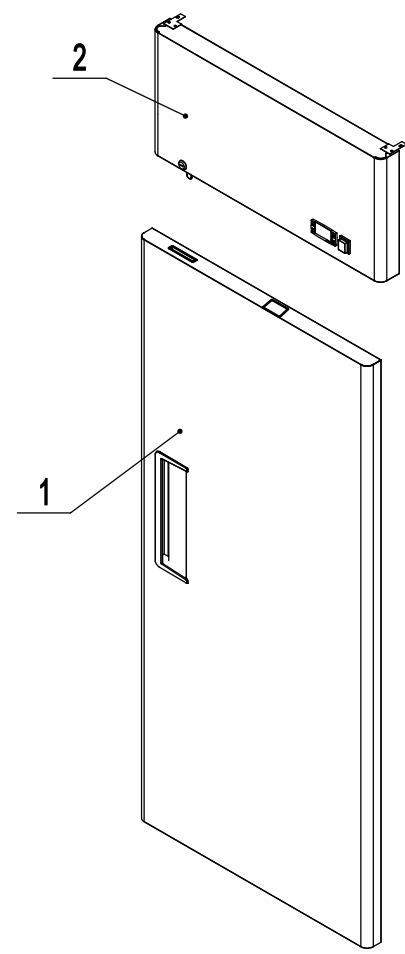
REV 09.2024

A

B

C

D



17	W0399148	LED Control Board	1
16	B0604413	4" M14 Stem Caster W/ Brake	2
15	B0604421	4" M14 Stem Caster W/O Brake	2
14	W0402616-2	Right Top Back Barrier	1
13	W0409081	Drain Pipe Cover	1
12	W0402616-1	Left(with wire hole) Top Back Barrier	1
11	W0402664	Top Barrier	1
10	W0399115	Power Supply/Transformer	1
9	80011041	Air Deflector Bracket	1

No.	Part #	Part Name	Qty
8	80011042	Air Deflector	1
7	8001GR-SA	Shelf Assembly	4
6	8001GR-WEA	Water Evaporation Assembly	1
5	8001GR-CA	Cabinet Assembly	1
4	8001GR-CCA	Comp&Cond Assembly	1
3	8001GR-EA	Evaporator Assembly	1
2	8001GR-MTPA	Top Panel Assembly	1
1	8001GR-DA	Door Assembly	1

1

2

3

4

5

6

8001GR-MTPA

REV 09.2024

A

B

C

D

1

2

3

4

5

6

1

2

3

4

5

6

7

7	80021404	Top Panel Corner Brace	2
6	W0302303	Controller Cover	1
5	W0308019	Green Power Switch	1
4	W0302175	Digital Controller	1
3	W0409158	Grey Panel Magnetic Switch	1
2	W0604007	Lock & Key	1
1	81131445-430	Top Panel W/ Magnetic Switch	1
No.	Part #	Part Name	Qty

1

2

3

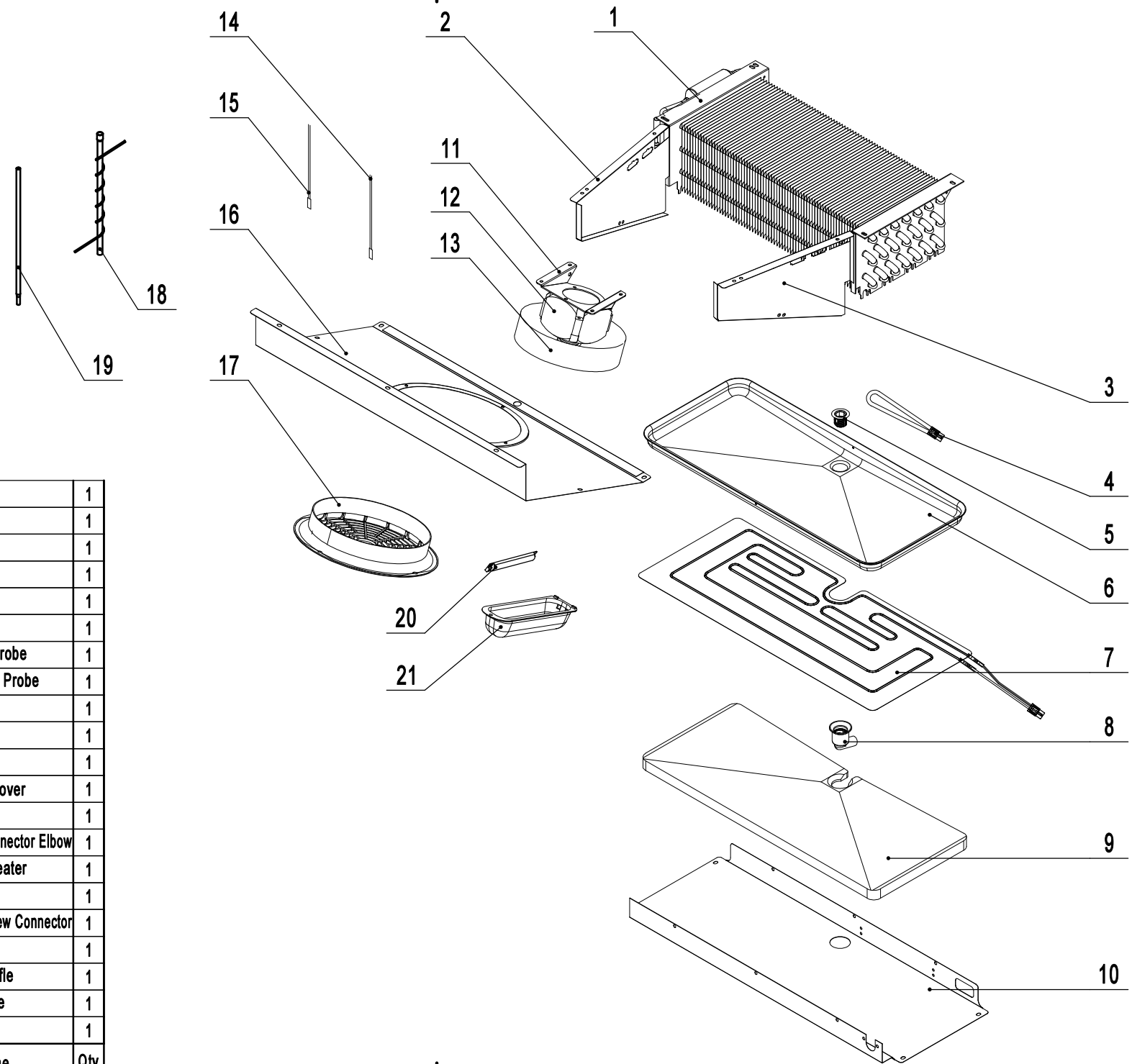
4

5

6

8001GR-EA

REV 09.2024



21	W0409863	Light Cover	1
20	W0304086	LED Light	1
19	W0210706	Defrost Tube B	1
18	W0210415	Suction Tube B	1
17	W0409080	Evap Fan Shroud	1
16	81131204-430	Evap Front Cover	1
15	W0302317	Evap Temp Blue Probe	1
14	W0302316	Room Temp White Probe	1
13	W0301059	Evap Fan Blade	1
12	W0301904	Eavp Fan Motor	1
11	80021501	Evap Fan Bracket	1
10	81131203-430	Drain Pan Foam Cover	1
9	W0803011	Drain Pan Foam	1
8	W0409858	Evap Drian Pan Connector Elbow	1
7	W0310075	Evap Drain Pan Heater	1
6	80012001	Evap Drain Pan	1
5	W0409859	Evap Drain Pan Screw Connector	1
4	W0310068	Drian Hose Heater	1
3	80021204	Right Evap Air Baffle	1
2	80021203	Left Evap Air Baffle	1
1	W0202134	Evaporator	1
No.	Part #	Part Name	Qty

8001GR-CCA

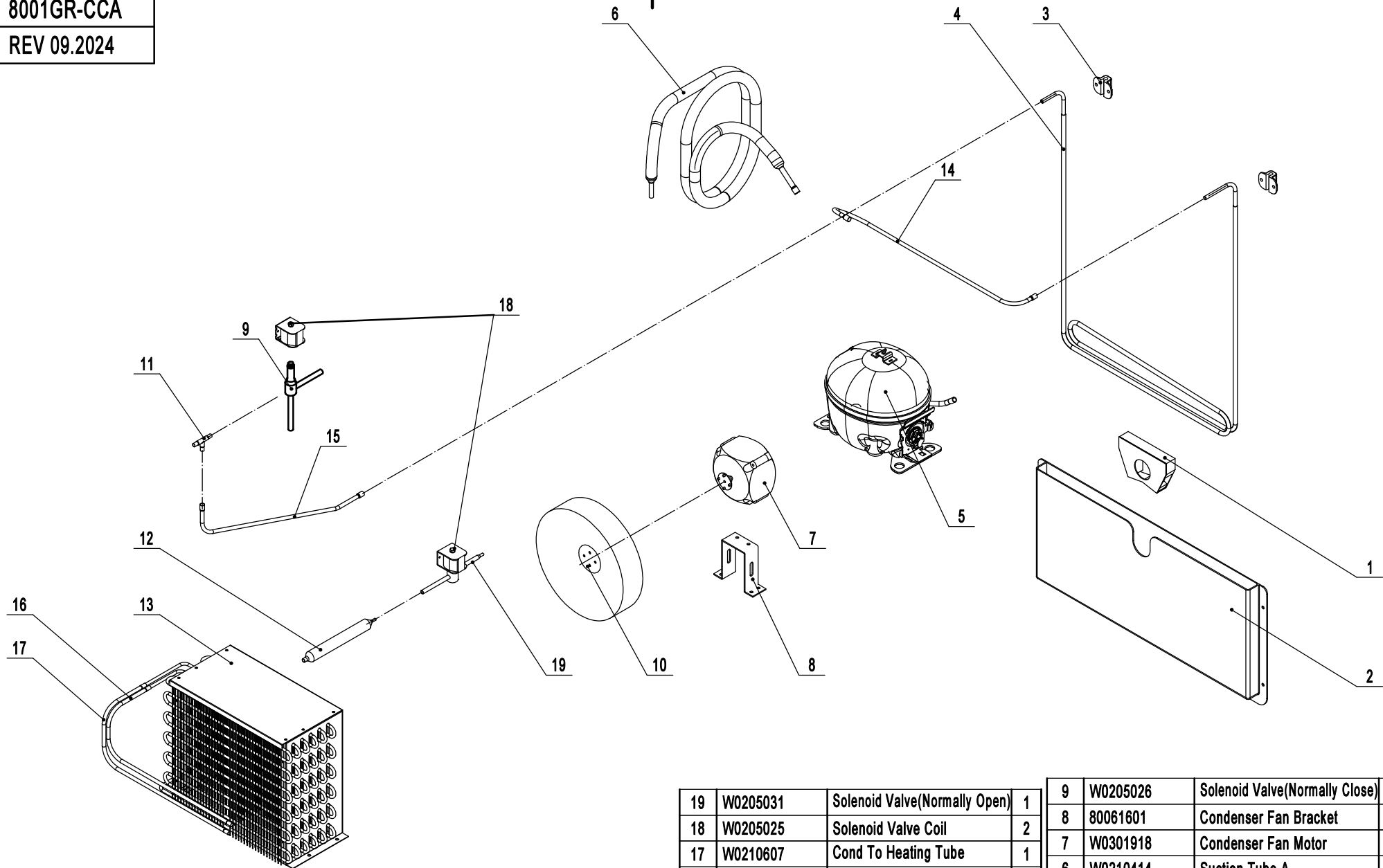
REV 09.2024

A

B

C

D



19	W0205031	Solenoid Valve(Normally Open)	1	9	W0205026	Solenoid Valve(Normally Close)	1
18	W0205025	Solenoid Valve Coil	2	8	80061601	Condenser Fan Bracket	1
17	W0210607	Cond To Heating Tube	1	7	W0301918	Condenser Fan Motor	1
16	W0210606	Heating Tube From Cond	1	6	W0210414	Suction Tube A	1
15	W0210282	Discharge Tube To Tee	1	5	W0201044	Compressor	1
14	W0210452	Discharge Tube From Comp	1	4	W0210413	Discharge Tube	1
13	W0203073	Condenser	1	3	W0413062	Discharge Tube Retainer Pad	2
12	W0204101	Filter Drier	1	2	W0409071	Condenser Drain Pan	1
11	W0208017	Tee Copper Joint	1	1	W0409078	Air Pressure Relief Valve	1
10	W0301061	Condenser Fan Blade	1	No.	Part #	Part Name	Qty

1

2

3

4

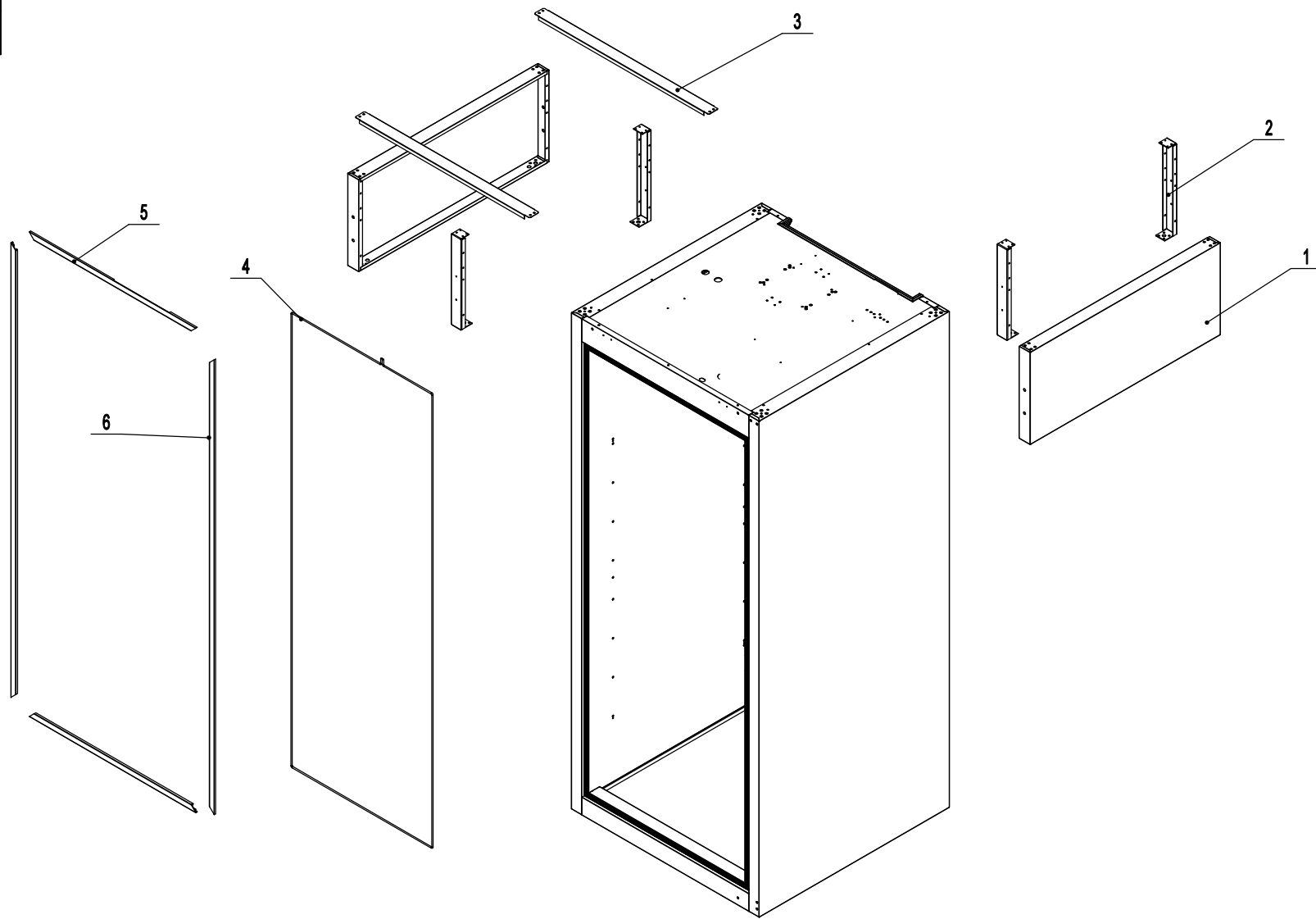
5

6

D

8001GR-CA

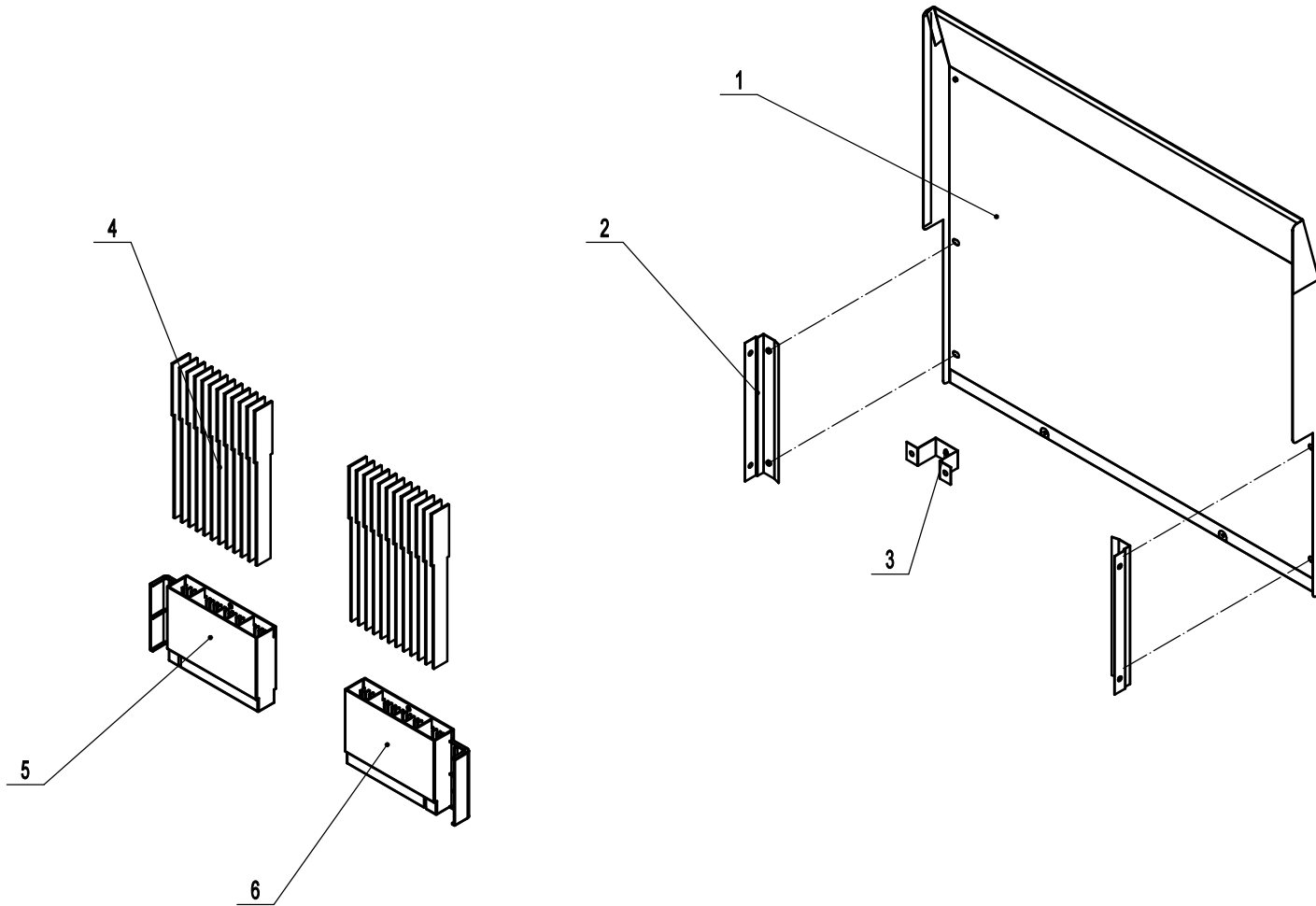
REV 09.2024



6	W04102045	Left-Right Frame Cover	2
5	W04102044	Top-Bottom Frame Cover	2
4	W0210261	Cabinet Heating Copper Tube	1
3	80011811	Top Long Reatiner Rack	2
2	80011810	Side Panel Frame	4
1	80010935	Top Side Panel	2
No.	Part #	Part Name	Qty

8001GR-WEA

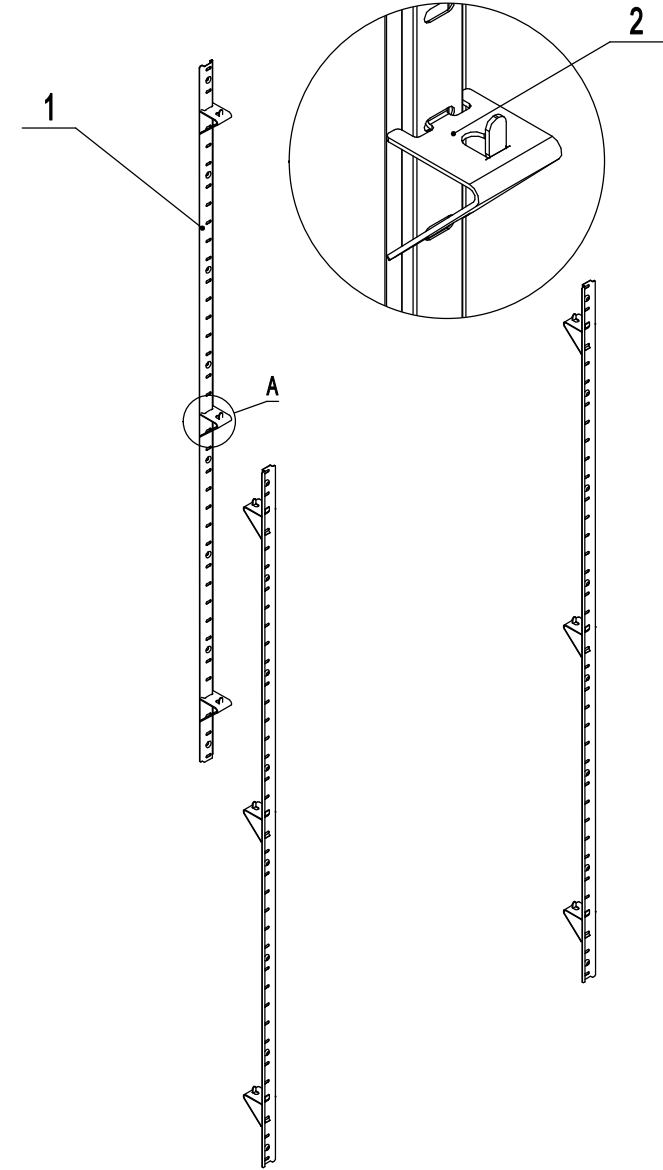
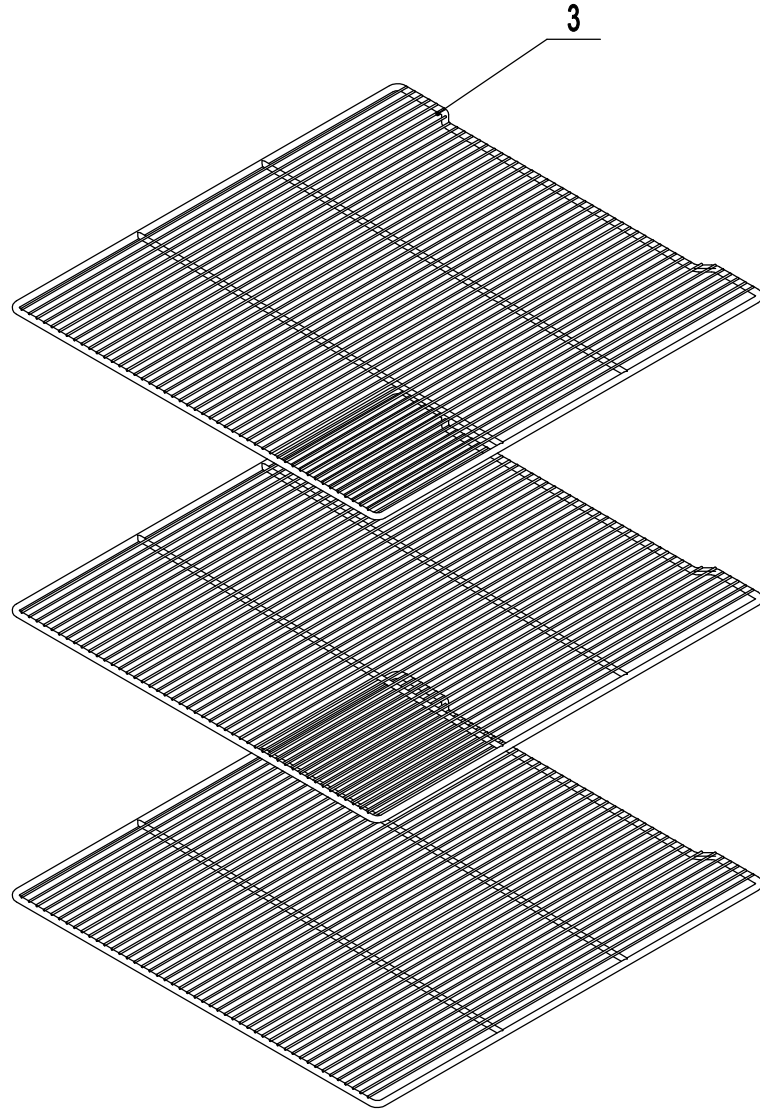
REV 09.2024



6	W0409086	Left Bracket For Wicking Paper	1
5	W0409087	Right Bracket For Wicking Paper	1
4	W0499920	Wicking Paper	24
3	80011814	Air Deflector Middle Retainer Plate	1
2	80011813	Air Deflector Side Retainer Plate	2
1	80010941	Air Deflector	1
No.	Part#	Part Name	Qty

8001GR-SA

REV 09.2024



3	W0402389	Shelf, 24 1/2 x 23 1/4	3
2	66490313	Shelf Clip	12
1	80037410	Shelf Pilaster	4
No.	Part #	Part Name	Qty