



"WE MAKE THE KITCHEN BETTER!"

ATOSA USA, INC.

Toll Free: 855-855-0399 Email: info@atosausa.com

www.atosa.com | www.atosausa.com

California, Colorado, Florida, Georgia, Illinois, New Jersey, Ohio, Texas, Washington

# Top Mount 1/2 Door Reach-In Refrigerators

**MODELS:**  
MBF8010GR / MBF8010GRL / MBF8011GR

## Standard Features

- Top mount compressor with environmentally friendly R290 refrigerant
- Stainless steel exterior & interior
- Electronic Temperature Controller
- Maintains temperatures between 33°F – 40°F
- LED interior light(s)
- Recessed door handle(s)
- Door lock(s) standard
- Magnetic door gasket(s) standard for positive door seal
- Pre-installed casters
- Three (3) pre-installed shelves per section
- Down duct refrigeration to ensure even distribution of air

## Optional Accessories

- Extra shelves – includes 4 shelf clips per shelf, shelf part #: W0402389

For the best results of food preservation we recommend setting your refrigerator between 33°F to 38 °F

1. Don't forget to leave the unit some room to breathe!
2. Please clean the condenser frequently to give the unit more fresh air.



MBF8010GR



MBF8010GRL



MBF8011GR



2 YEAR PARTS AND LABOR WARRANTY  
5 YEAR COMPRESSOR PART WARRANTY



MBF8010GR  
MBF8010GRL



REV. 08/24



**"WE MAKE THE KITCHEN BETTER!"**

**ATOSA USA, INC.**

Toll Free: 855-855-0399 Email: [info@atosausa.com](mailto:info@atosausa.com)

[www.atosa.com](http://www.atosa.com) | [www.atosausa.com](http://www.atosausa.com)

California, Colorado, Florida, Georgia, Illinois,

New Jersey, Ohio, Texas, Washington

## SPECIFICATIONS

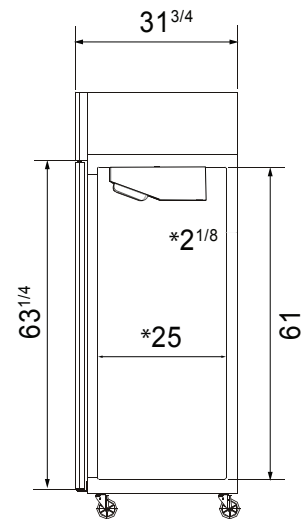
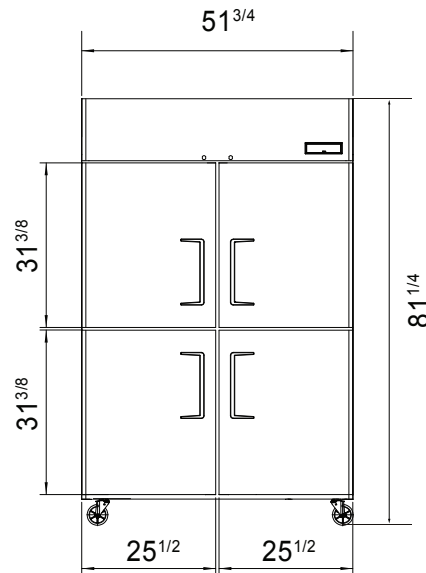
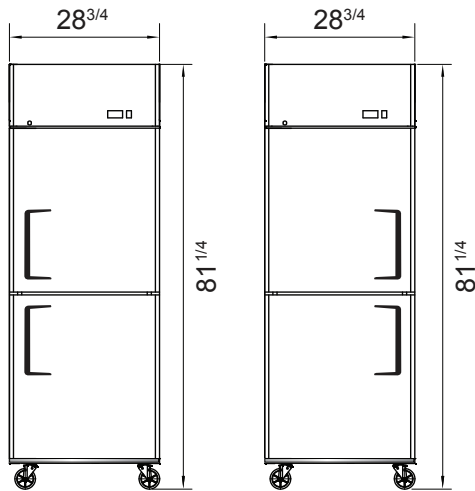
Models	Door	Capacity (Cu.Ft.)	Shelves	Casters (inch)	Rated Current (A)	Voltage (V/Hz/Ph)	HP	Refrigerant	Exterior Dimensions (inch)	Net Weight (lb)	Gross Weight (lb)
MBF8010GR	2	21.4	3	4	2.1	115/60/1	1/7	R290	28 <sup>3/4</sup> ×31 <sup>3/4</sup> ×81 <sup>1/4</sup>	254	271
MBF8010GRL	2	21.4	3	4	2.1	115/60/1	1/7	R290	28 <sup>3/4</sup> ×31 <sup>3/4</sup> ×81 <sup>1/4</sup>	254	271
MBF8011GR	4	43.2	6	4	1.8	115/60/1	1/5	R600a	51 <sup>3/4</sup> ×31 <sup>3/4</sup> ×81 <sup>1/4</sup>	378	427

## PLAN VIEW

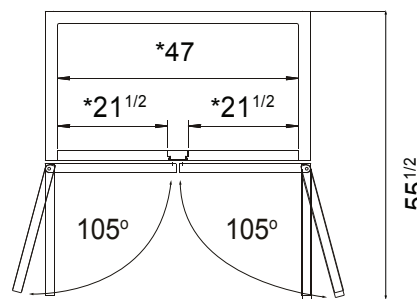
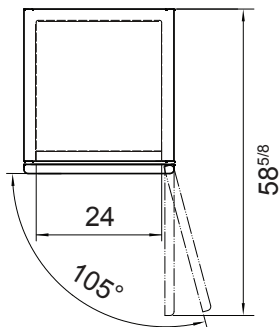
**MBF8010GR**

**MBF8010GRL**

**MBF8011GR**



\*Interior Dimensions



SELF-CLOSING AND STAY OPEN DOOR FEATURE

Casters

Epoxy shelves

Door lock

Down duct

Temperature control

