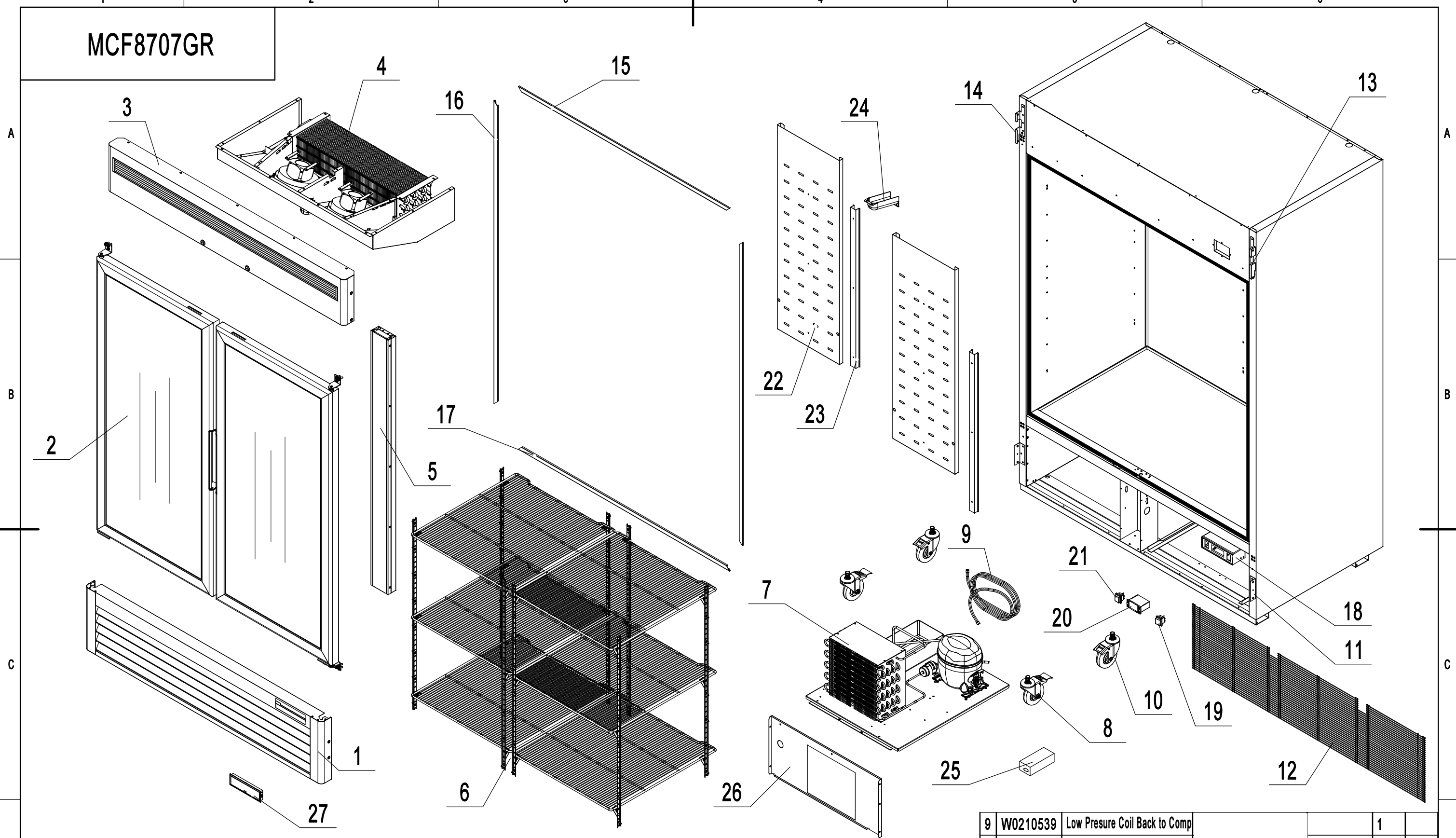


# MCF8707GR



27	W0409882	Controller Cover
26	85031901	Wind deflector unit
25	W0399115	LED Power
24	W0409081	A drain protection
23	80011041	Back wind deflector stents
22	80021040	Back wind deflector
21	W0308018	Light Switch
20	W0302163	Digital Controller
19	W0308019	Power Switch

	1	18	W0409883	Controller Braket		1	
GI	1	17	W0410447	Bottom Frame Cover		1	
15W	1	16	W0410446	Left-Right Frame Cover		2	
ABS	1	15	W0410448	Top Frame Cover		1	
SUS430	2	14	85041610	Left-top Fastener For Top Panel		1	
SUS430	2	13	85041609	Right-top Fastener For Top Panel		1	
(RED)	1	12	W0402634	Back Bottom Barriar		1	
	1	120V	11	85041801	Fastener For Bottom Panel	2	
(GREEN)	1	10	B0604413	4" Castor Withoijt Brake		2	

9	W0210539	Low Presure Coil Back to Comp		1	
8	B0604421	4" Castor With Brake		2	
7	85070451	Comp&Cond Assembly		1	
6	87030451	Shelf Assembly		1	
5	85070405	Mullion Assembly		1	
4	87070450	Evaporator Assembly		1	
3	85030450	Top Panel Assembly		1	
2	87070402	Door Assembly		1	
1	85030420	Bottom Panel		1	
序号	Material code	English Name		MATERIAL	QUANTITY Remark

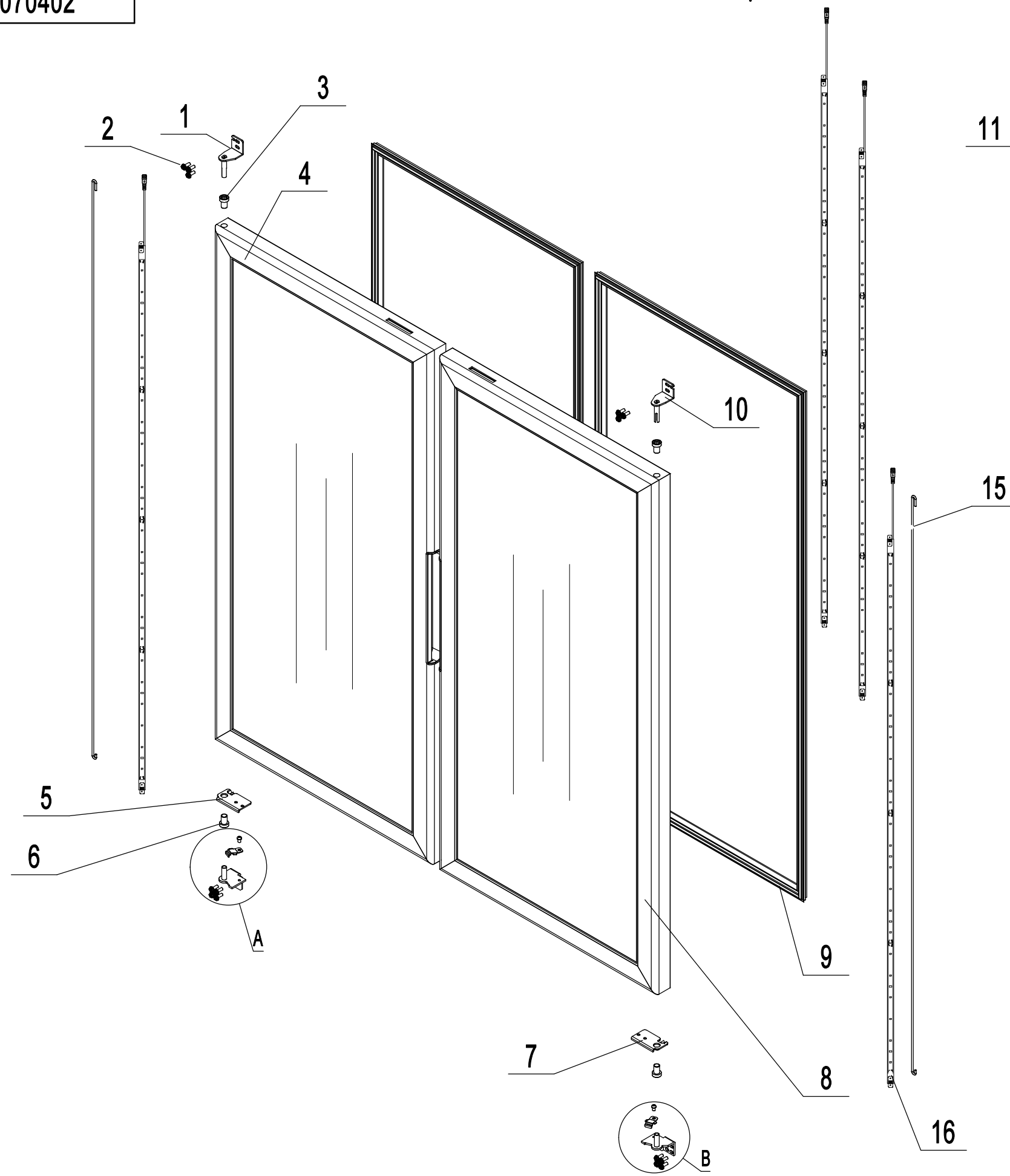
87070402

A

B

C

D



16	W0304081	LED Light		4	
15	W0604933	Door Spring Bar		2	
14	W0604024	Right-Bottom Hinge	SUS304	1	
13	B0599270	SS Screw M6x8		2	
12	W0604038	Door Stopper-Bottom	SUS304	2	
11	W0604025	Left-Bottom Hinge	SUS304	1	
10	W0604022	Right-Top Hinge	SUS304	1	
9	W0404601	Door Gasket		2	
8	W0412810	Right Glass Door		1	
7	W0604030	Door Brake -Right	SUS304	1	
6	W0409843	Door Shaft Sleeve-Bottom	PA66	2	
5	W0604031	Door Brake -Left	SUS304	1	
4	W0412815	Left Glass Door		1	
3	W0409842	Door Shaft Sleeve-Top	PA66	2	
2	B0506044	Screw M6x16		12	
1	W0604023	Left-Top Hinge	SUS304	1	
序号	Material code	English Name	MATERIAL	QUANTITY	Remark

A

B

C

D

1

2

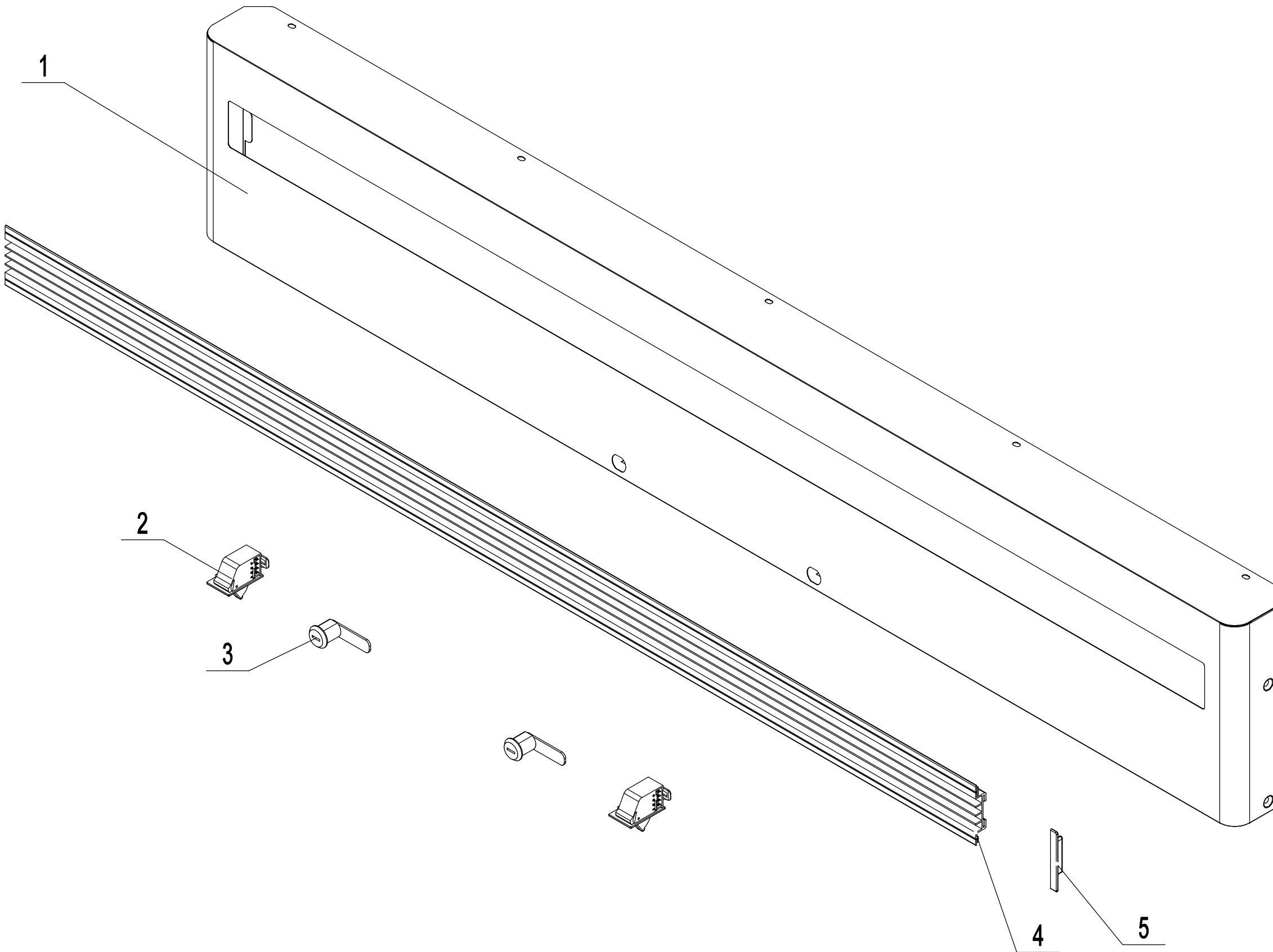
3

4

5

6

85030450



5	W0409272	Black Grille Clip		2	
4	W0410352	Black Grille		1	

3	W0604007	Lock		2		
2	W0308012	Door Switch		2		
1	85031422	Top Panel		SUS430	1	
序号	Material code	English Name		MATERIAL	QUANTITY	Remark

1 2 3 4 5 6

A

B

C

D

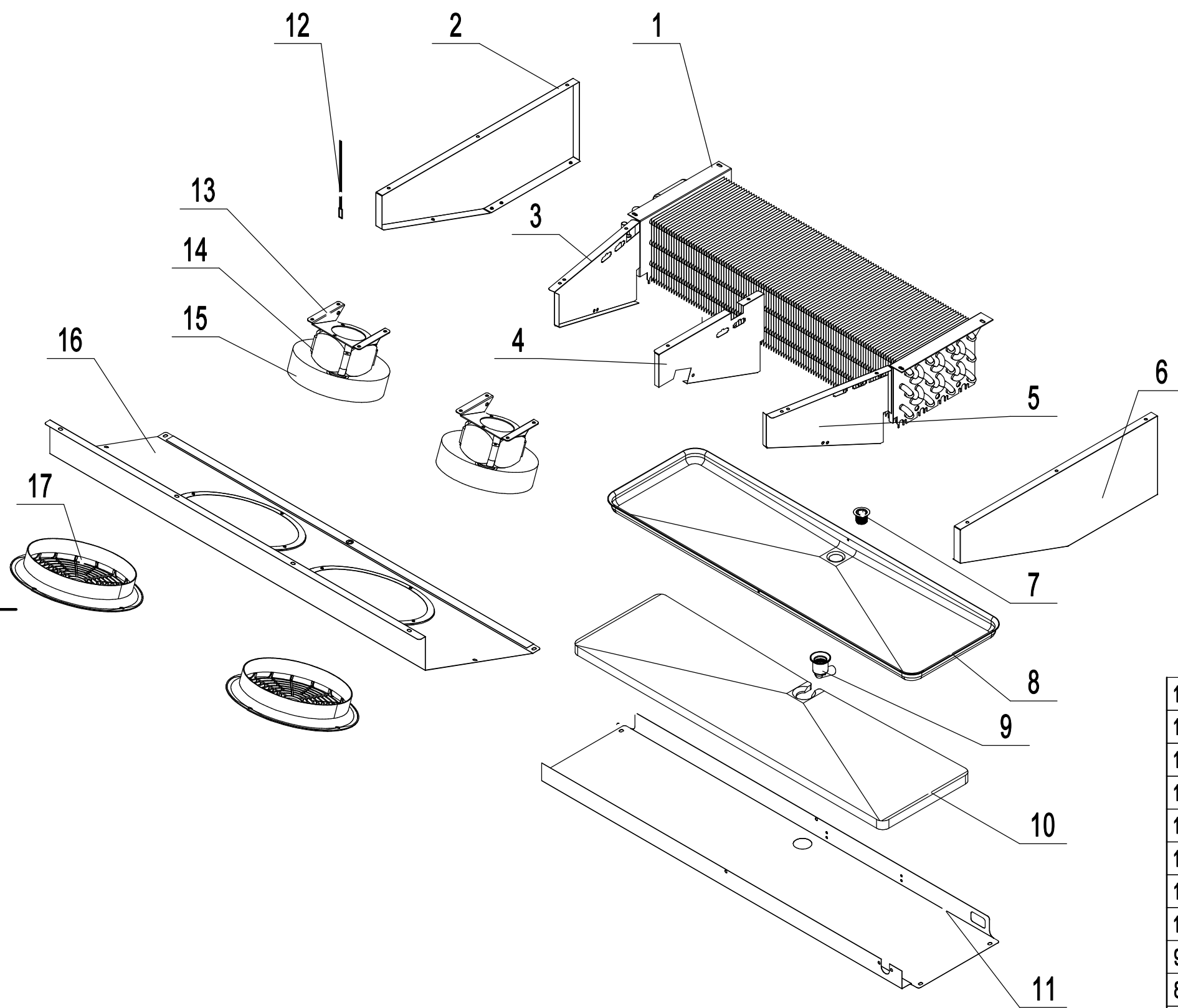
A

B

C

D

87070450



17	W0409080	Evap Fan Motor Cover	ABS	2	
16	8602120203	Evap Front Cover	SUS430	1	
15	W0301059	Evap Fan Blade	AL/Ø172	2	
14	W0301904	Eavp Fan Motor		2	
13	80021501	Evap Fan Braket	SUS304	2	
12	W0302304	Room Temp Probe		1	
11	8114120101	Drain Pan Cover	SUS430	1	
10	W0803012	Drain Pan Foam	EPS	1	
9	W0409858	Drain Hose Connector A	PA66	1	
8	80022003	Drain Pan	AL	1	
7	W0409859	Drain Hose Connector B	PA66	1	
6	80021207	Evap Right Cover	SUS430	1	
5	80021204	Right Air Lane Cover	SUS430	1	
4	80021205	Middle Air Lane Cover	SUS430	1	
3	80021203	Left Air Lane Cover	SUS430	1	
2	80021206	Evap Left Cover	SUS430	1	
1	W0202118	Evaperator	AL TP2-M	1	
序号	Material code	English Name	MATERIAL	QUANTITY	Remark

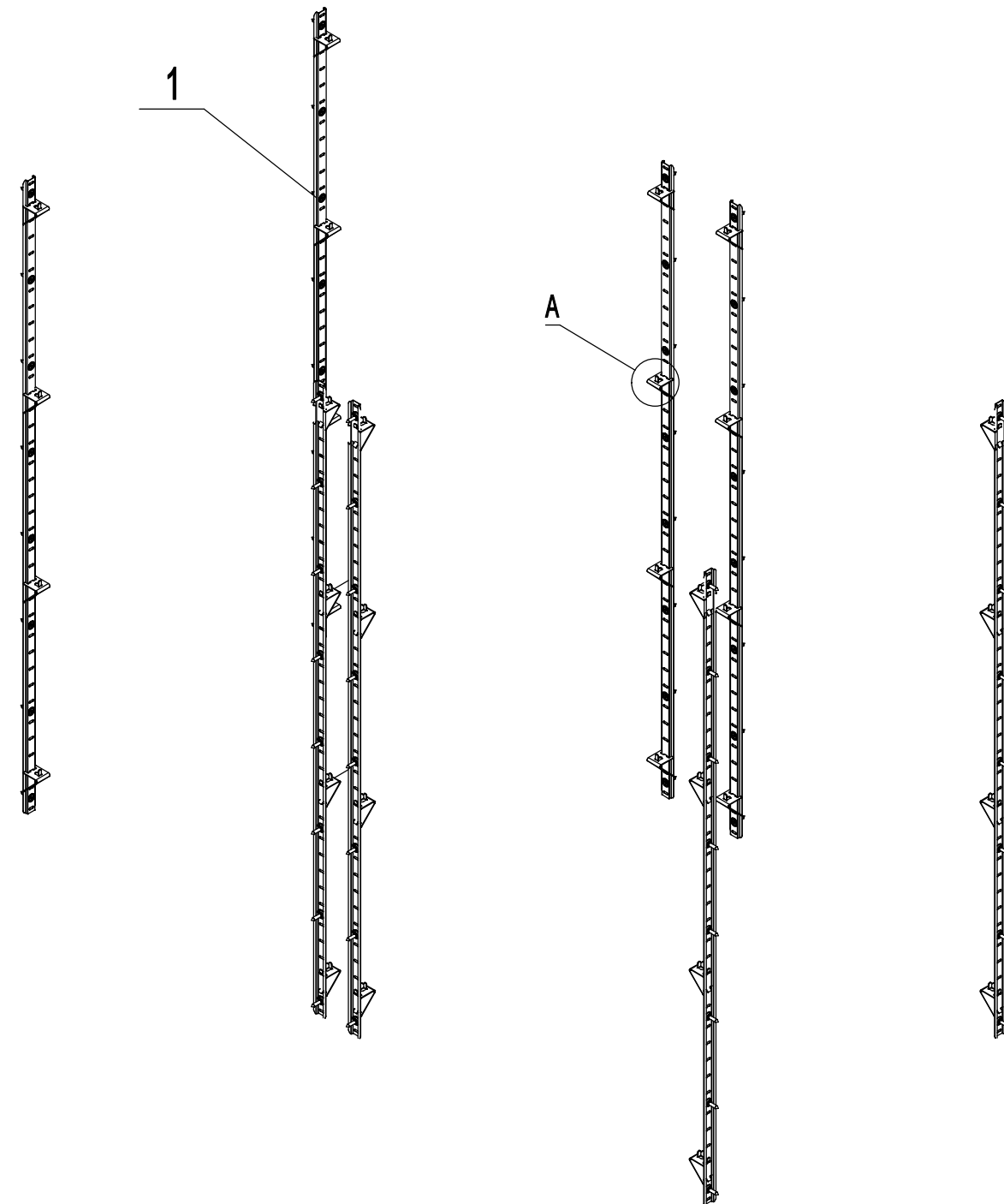
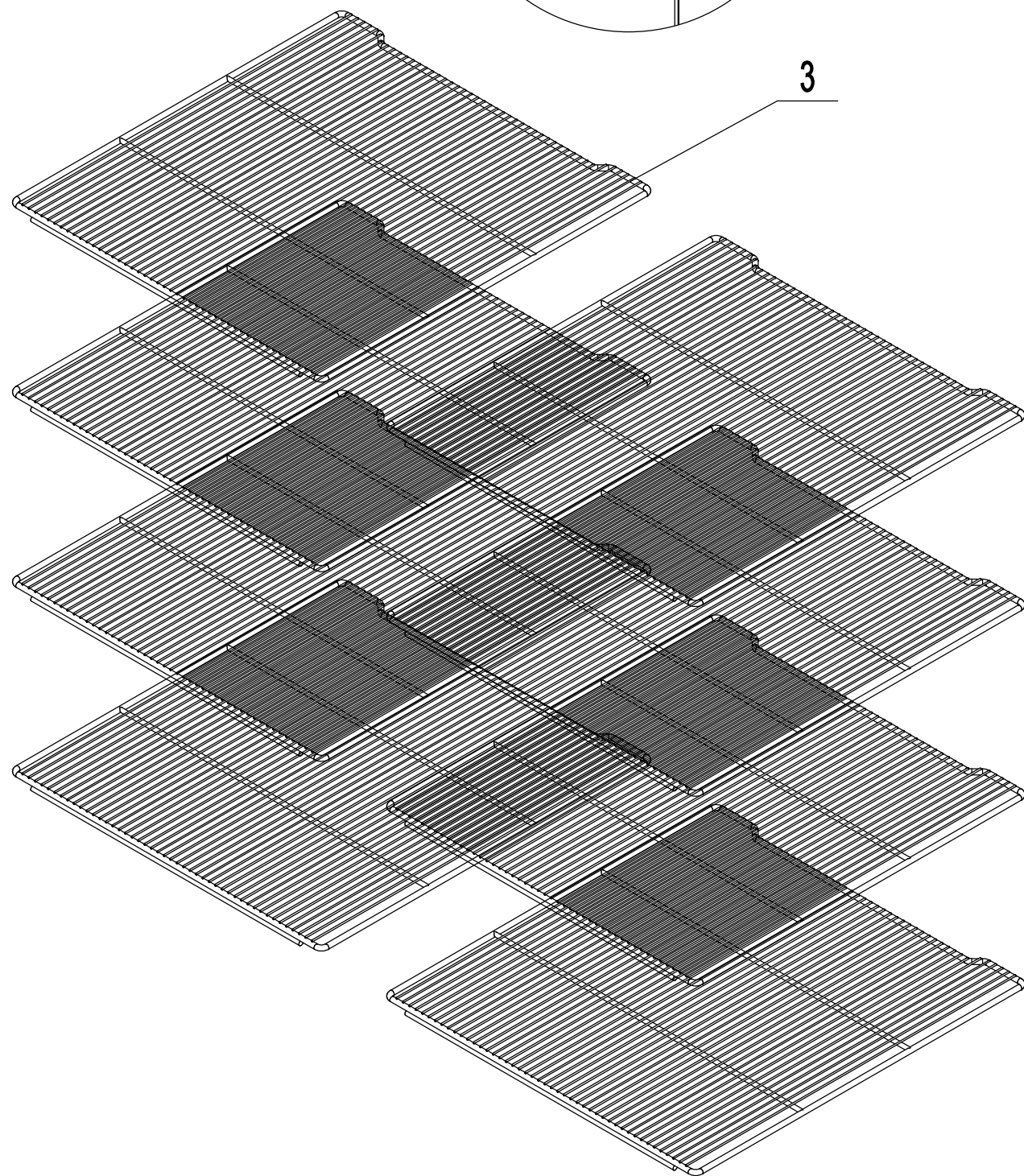
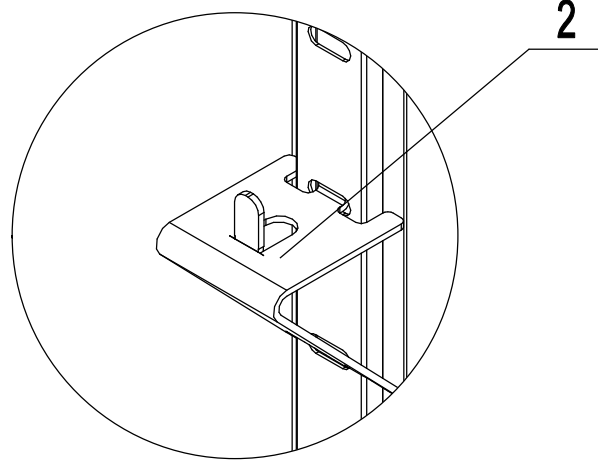
85070405



5	85041111	Mullion Front Cover
4	W0410976	Mullion Plastic Connector
3	W0310110	Mullion Heater
2	W0499086	Mullion Foam
1	85041110	Mullion Back Cover
序号	Material code	English Name

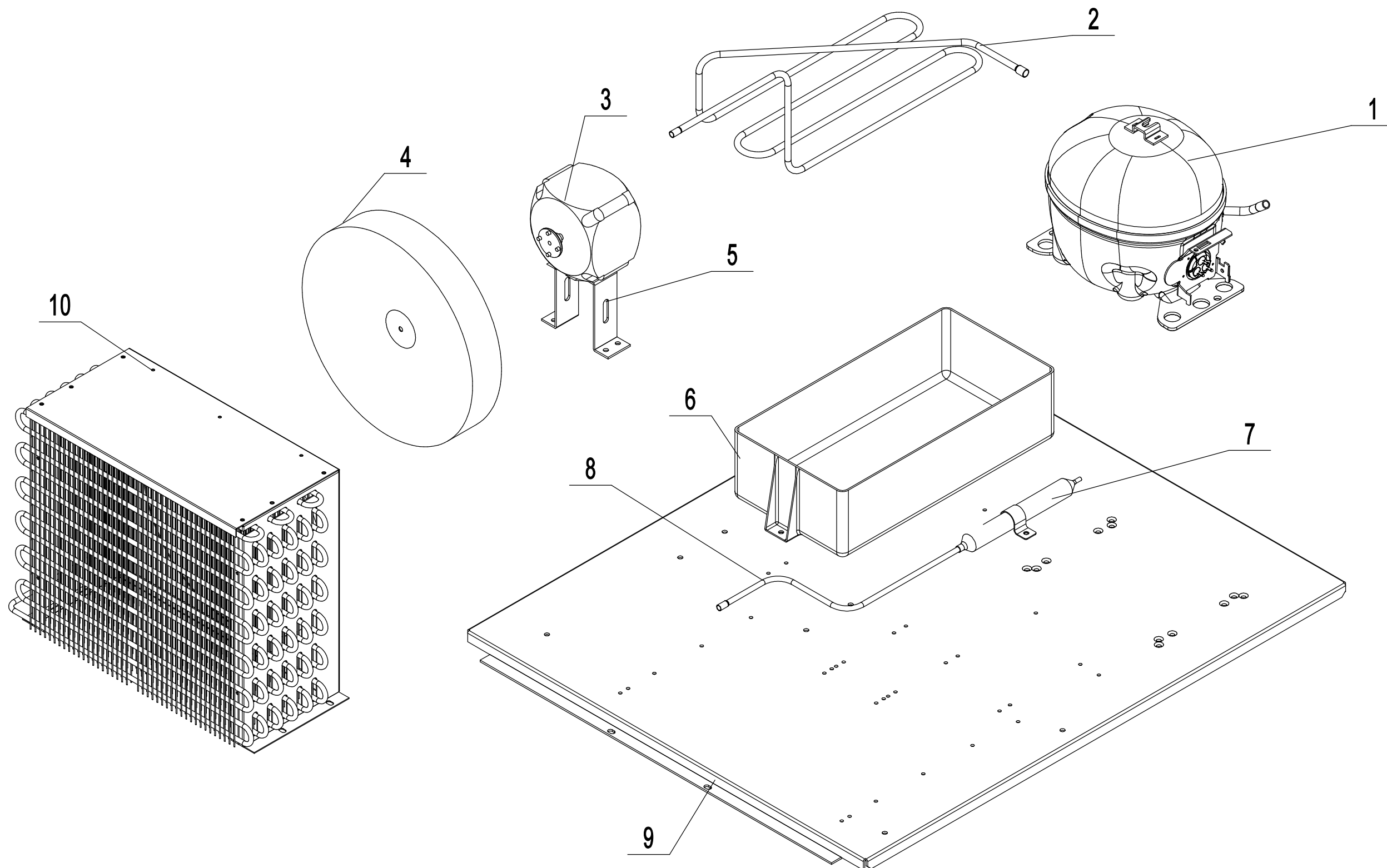
SUS430	1	
PVC-H	2	
	1	
EPS	1	
SUS430	1	
MATERIAL	QUANTITY	Remark

87030451



3	W0402395	Shelf		8	
2	66490313	Shelf Support Clip	SUS430	32	
1	80037410	Pilaster For Shelf	SUS430	8	
序号	Material code	English Name	MATERIAL	QUANTITY	Remark

85070451



10	W0203074	Condenser
9	85031804	Compressor Board
8	W0210541	Connecting Coil to Condenser
7	W0204101	Dry Filter
6	W0411152	Plastic Drain Pan

GI	1
GI	1
TP2-M	1
	1
ABS	1

5	80061601	Condenser Fan Braket
4	W0301061	Condenser Fan Blade
3	W0301905	Condenser Fan
2	W0210540	High Presure Coil
1	W0201164	Compressor
序号	Material code	English Name

GI	1	
AL/Ø230	1	
	1	
TP2-M	1	
(EM2X3117U)	1	
MATERIAL	QUANTITY	Remark