

MCF8720GR

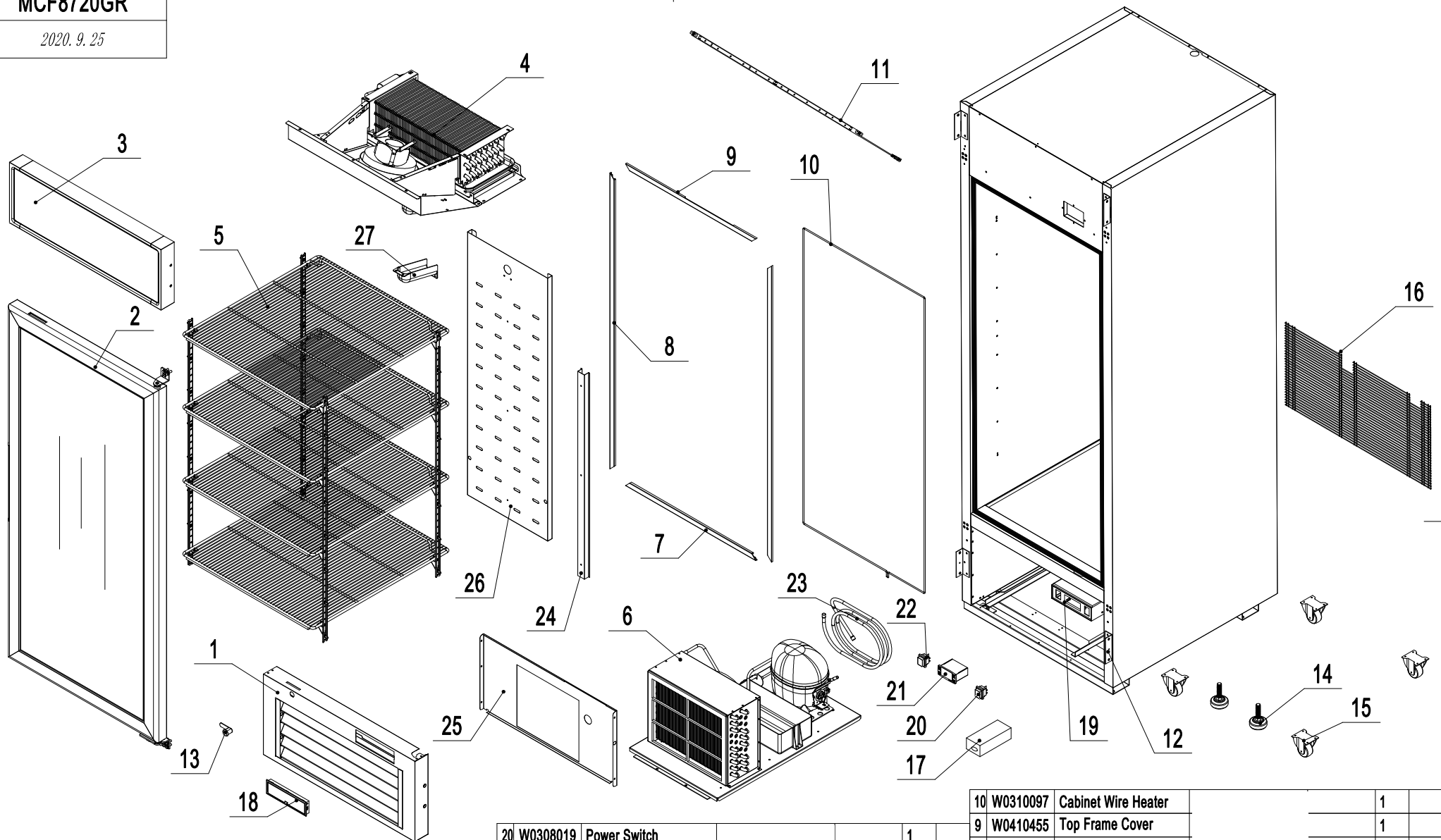
2020. 9. 25

A

B

C

D



27	W0409081	A drain protection		
26	80011042-430	Back wind deflector		
25	85011901	Wind deflector unit		
24	80011041	Back wind deflector stents		
23	W0210616	Low Presure Coil Back to Comp		
22	W0308018	Light Switch		
21	W0302175	Digital Controller		

	ABS	1		
		1		
	GI	1		
		1		
		1		
		1		
		1		

20	W0308019	Power Switch		
19	W04098832	Controller Braket		
18	W0409887	Controller Cover		
17	W0399123	Power Supply		
16	W0402273	Back Bottom Barriar		
15	B0604433	2" Castor Without Brake		
14	B0604417	Leg		
13	W0604007	Lock		
12	85041801	Fastener For Bottom Panel		
11	W0304083	LED Light		

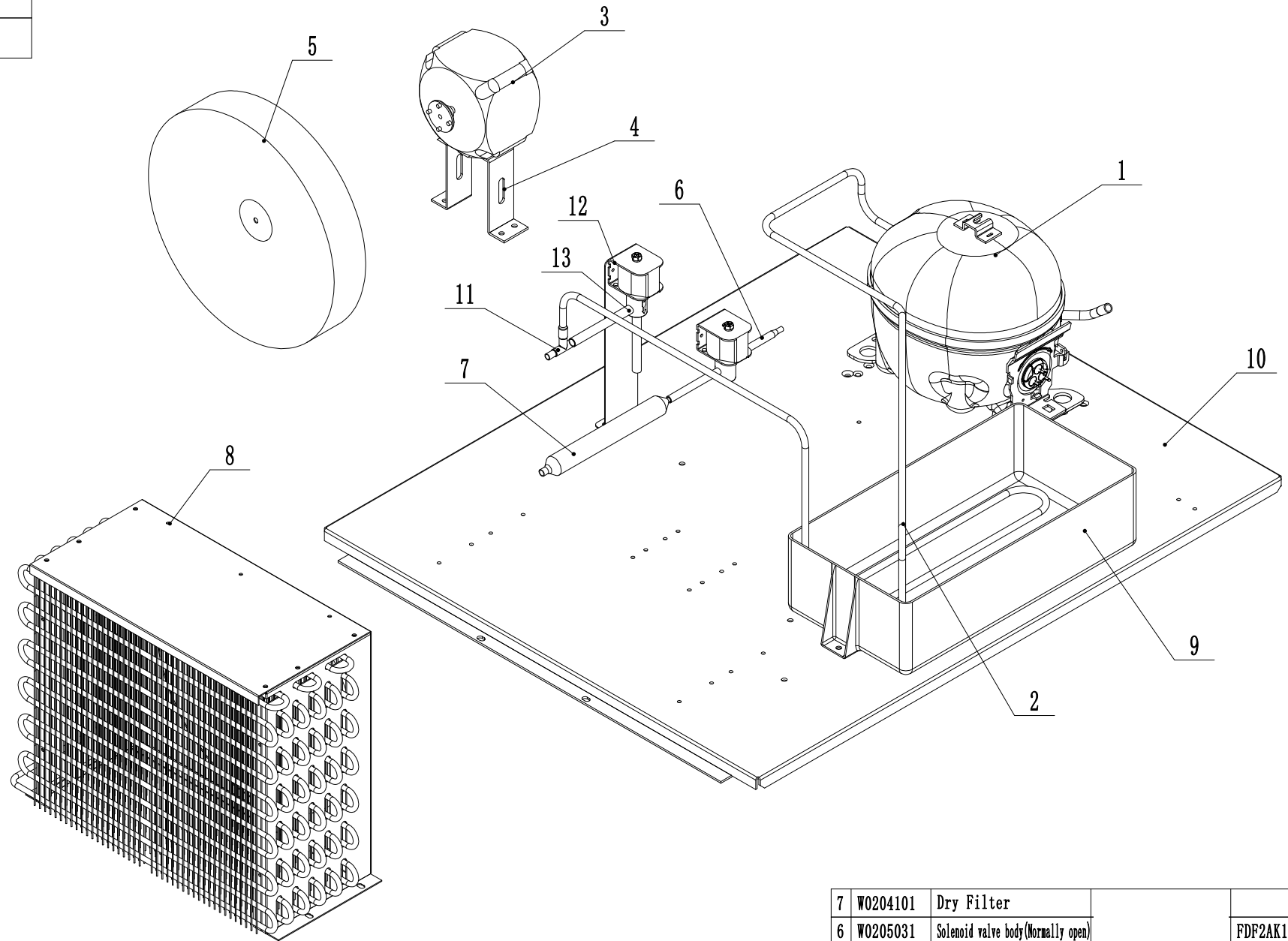
		1		
		1		
		1		
		1		
100W		1		
		1		
		4		
		2		
		1		
		4		
		1		

10	W0310097	Cabinet Wire Heater		
9	W0410455	Top Frame Cover		
8	W0410446	Left-Right Frame Cover		
7	W0410456	Bottom Frame Cover		
6	MBF8501203000	Comp&Cond Assembly		
5	MCF8701215000	Shelf Assembly		
4	MCF8701204000	Evaporator Assembly		
3	MCF8710211000	Top Panel Assembly		
2	MCF8701201000	Glass Door Assembly		
1	87100406	Bottom Panel		
Material code		English Name		

		1		
		1		
		2		
		1		
		1		
		1		
		1		
MATERIAL	QUANTITY	Remark		

8501GR-CCA

2020. 5. 8



13	W0205026	Solenoid valve body(Normally closed)
12	W0205025	Solenoid valve coil
11	W0208017	'T' Three way connecting pipe
10	85010501	Compressor Board
9	W0411152	Plastic Drain Pan
8	W0203074	Condenser

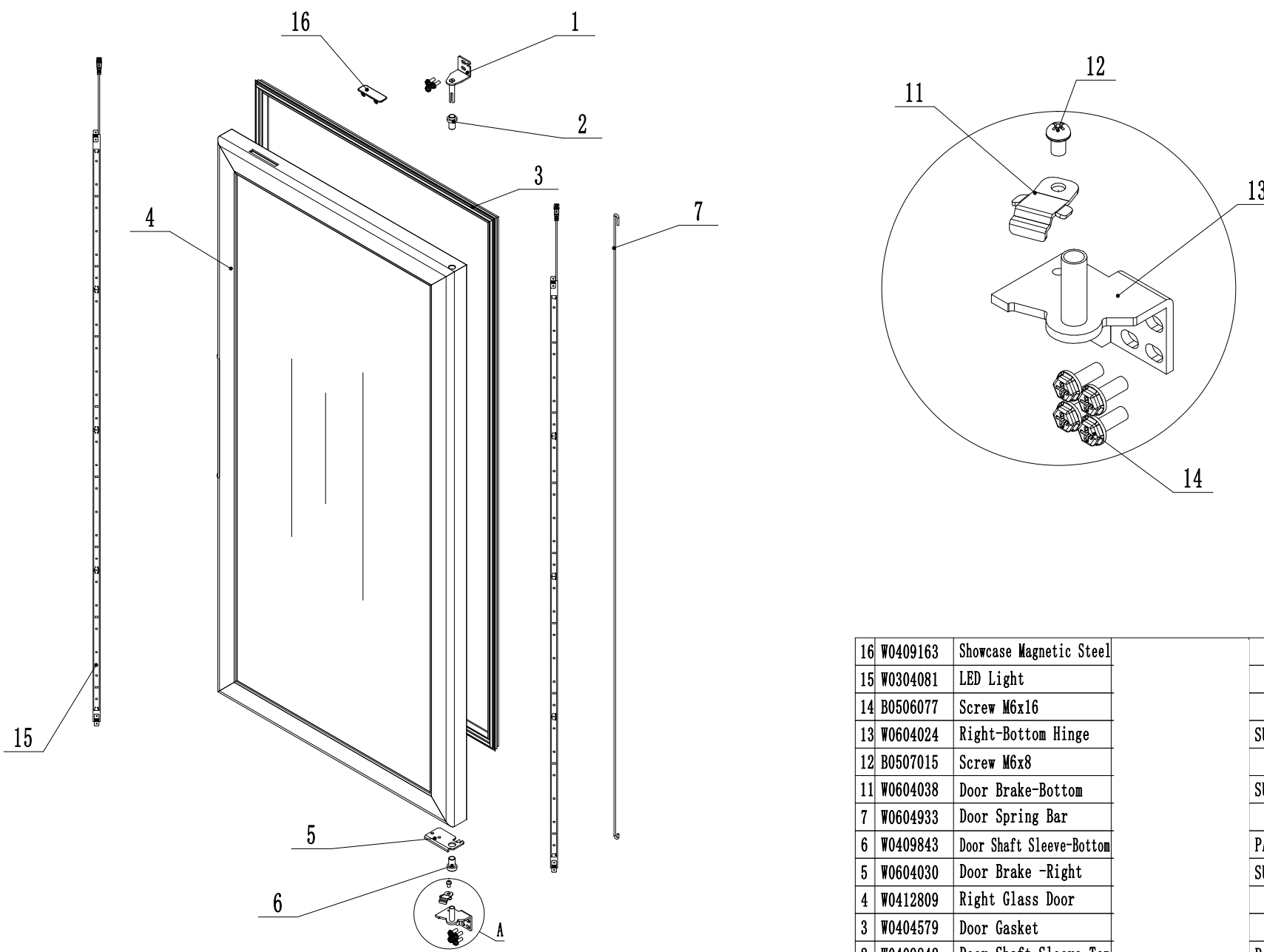
FDF6A	1	
	2	
TP2-M	1	
GI	1	
ABS	1	
GI TP2-M	1	

7	W0204101	Dry Filter
6	W0205031	Solenoid valve body(Normally open)
5	W0301061	Condenser Fan Blade
4	80061601	Condenser Fan Braket
3	W0301033	Condenser Fan
2	W0210617	High Pressure Coil
1	W0201044	Compressor
序号	Material code	English Name

	1	
FDF2AK18	1	
AL/φ230	1	
GI	1	
	1	
TP2-M	1	
	1	
MATERIAL	QUANTITY	Remark

8701-DA

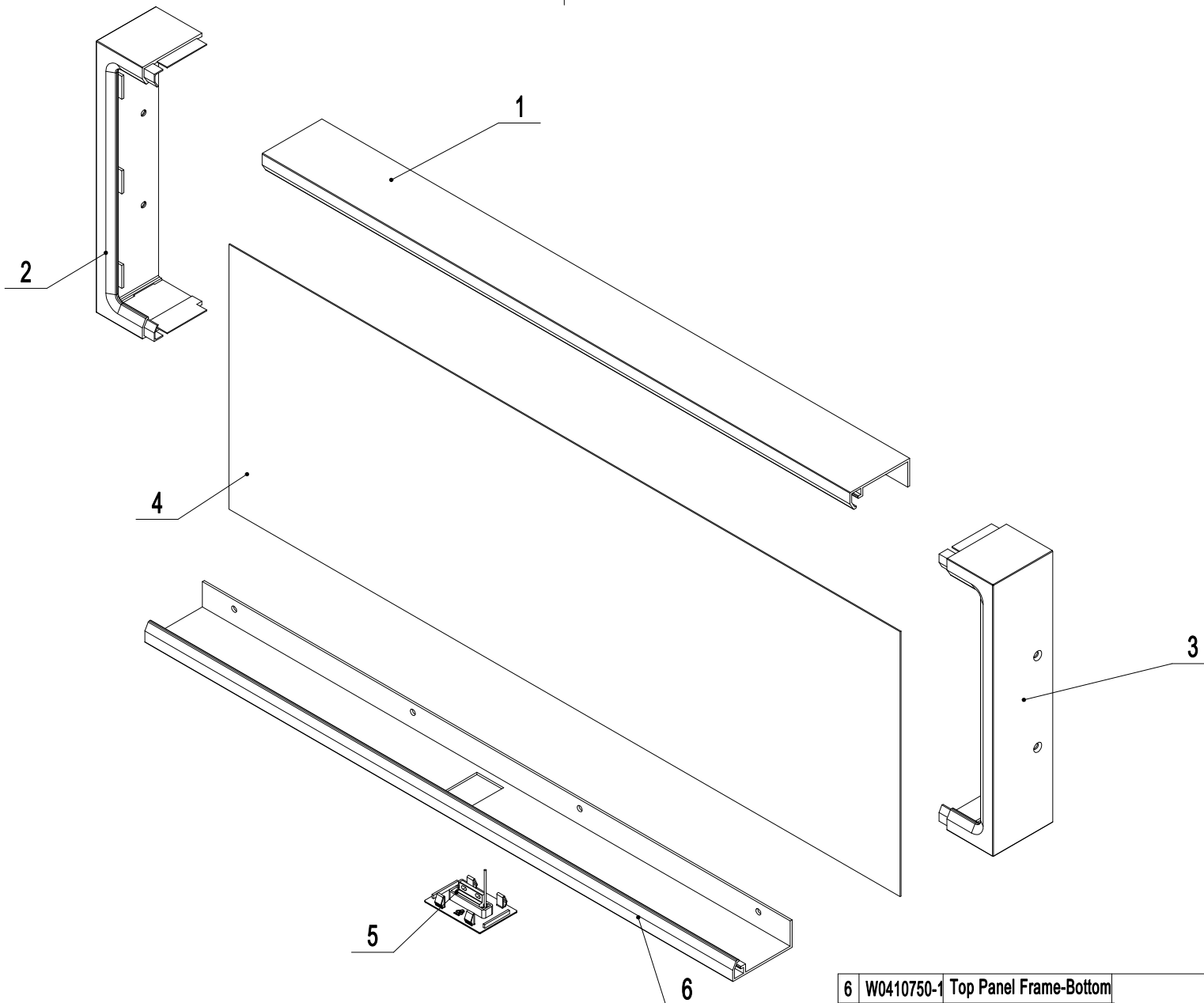
2020. 5. 12



16	W0409163	Showcase Magnetic Steel		1	
15	W0304081	LED Light		2	
14	B0506077	Screw M6x16		7	
13	W0604024	Right-Bottom Hinge	SUS304	1	
12	B0507015	Screw M6x8		1	
11	W0604038	Door Brake-Bottom	SUS304	1	
7	W0604933	Door Spring Bar		1	
6	W0409843	Door Shaft Sleeve-Bottom	PA66	1	
5	W0604030	Door Brake -Right	SUS304	1	
4	W0412809	Right Glass Door		1	D
3	W0404579	Door Gasket		1	
2	W0409842	Door Shaft Sleeve-Top	PA66	1	
1	W0604022	Right-Top Hinge	SUS304	1	
序号	Material code	English Name	MATERIAL	QUANTITY	Remark

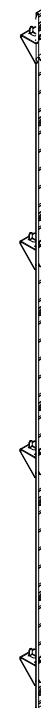
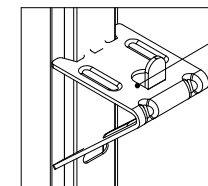
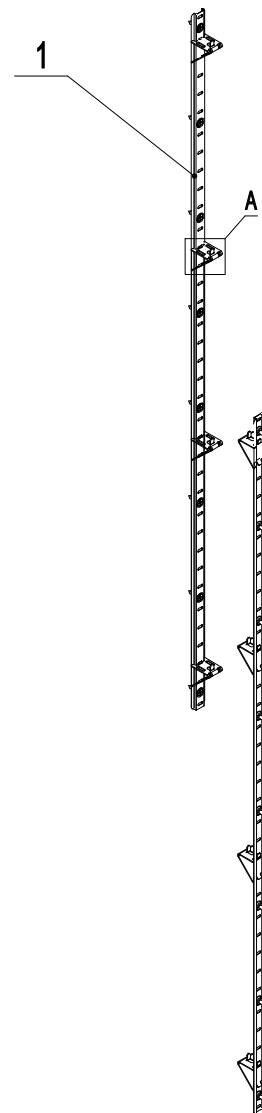
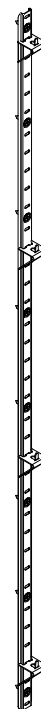
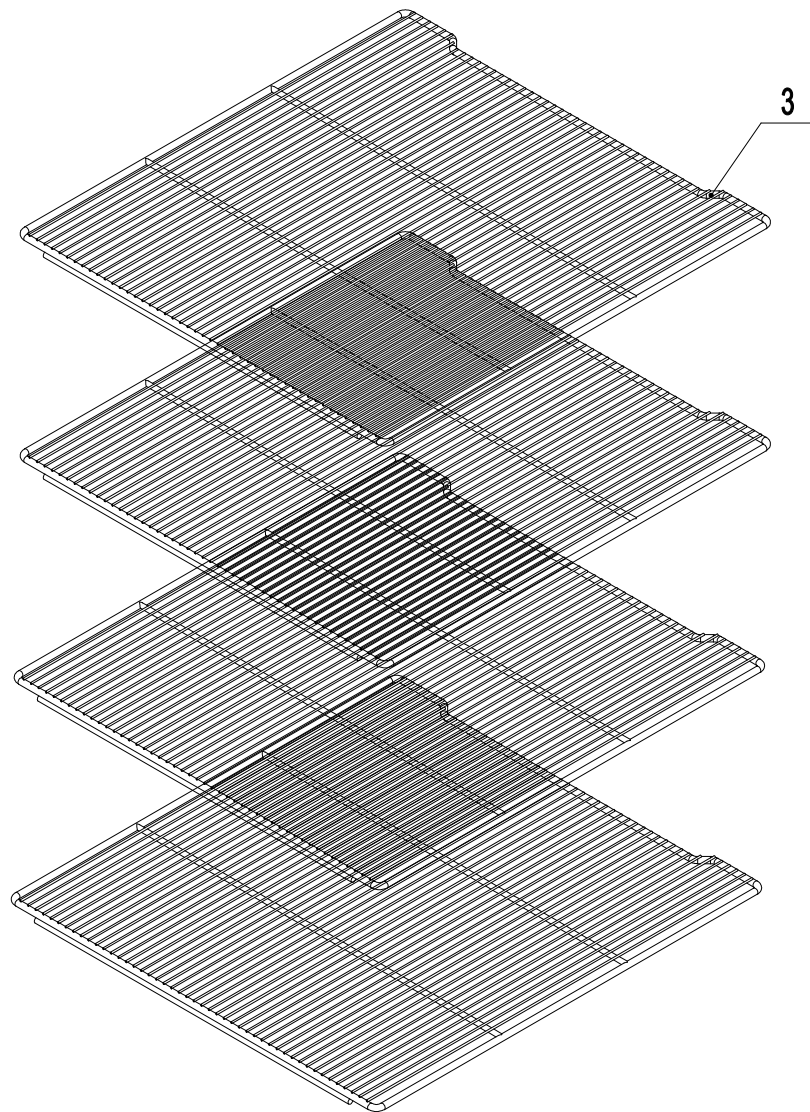
8720-MTPA-At

2022.2



6	W0410750-1	Top Panel Frame-Bottom	PVC-H	1	
5	W0409162	Gate Magnetic Switch		1	
4	W041075302-1	Top Panel		1	D
3	W0409268	Top Panel Frame-Right	ABS	1	
2	W0409269	Top Panel Frame-Left	ABS	1	
1	W0410749	Top Panel Frame-Top	PVC-H	1	
序号	Material code	English Name	MATERIAL	QUANTITY	Remark

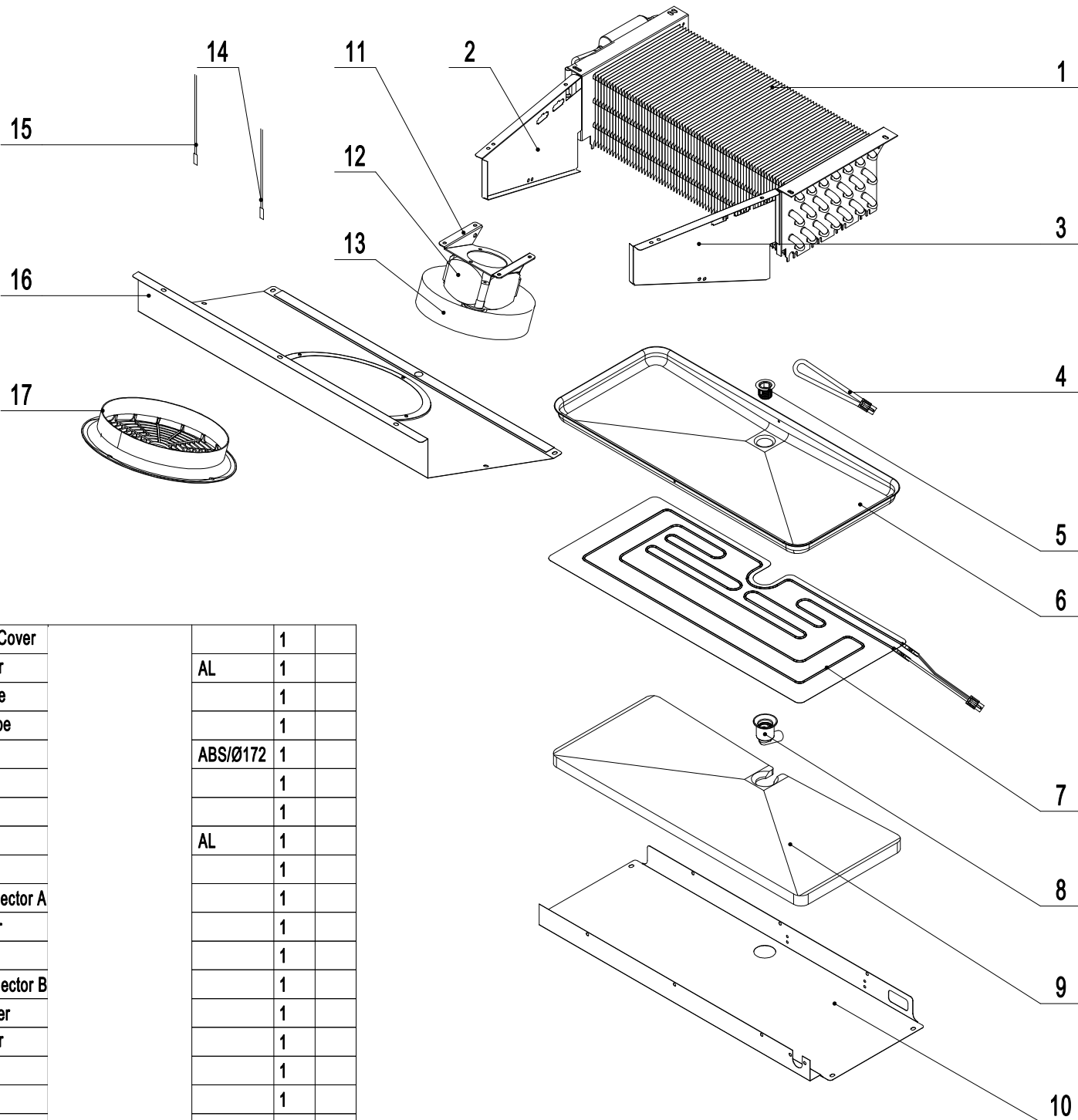
8710GR-SA-In



3	W0402394	Shelf		4	
2	66490313	Shelf Clip		SUS430	16
1	80037410	Pilastor For Shelf		SUS430	4
序号	Material code	English Name		MATERIAL	QUANTITY Remark

8710GR-EA

2023



17	W0409080	Evap Fan Motor Cover		1	
16	87011202-430	Evap Front Cover	AL	1	
15	W0302317	Evap Temp Probe		1	
14	W0302316	Room Temp Probe		1	
13	W0301078-01	Evap Fan Blade	ABS/Ø172	1	
12	W0301912-01	Evap Fan Motor		1	
11	80021501	Evap Fan Braket		1	
10	85011205	Drain Pan Cover	AL	1	
9	W0803011	Drain Pan Foam		1	
8	W0409858	Drain Hose Connector A		1	
7	W0310075	Drain Pan Heater		1	
6	80012001	Drain Pan		1	
5	W0409859	Drain Hose Connector B		1	
4	W0310068	Drain Hose Heater		1	
3	80021204	Evap Right Cover		1	
2	80021203	Evap Left Cover		1	
1	W0202134	Evaperator		1	
序号	Material code	English Name	MATERIAL	QUANTITY	Remark