

# MCF8721ES

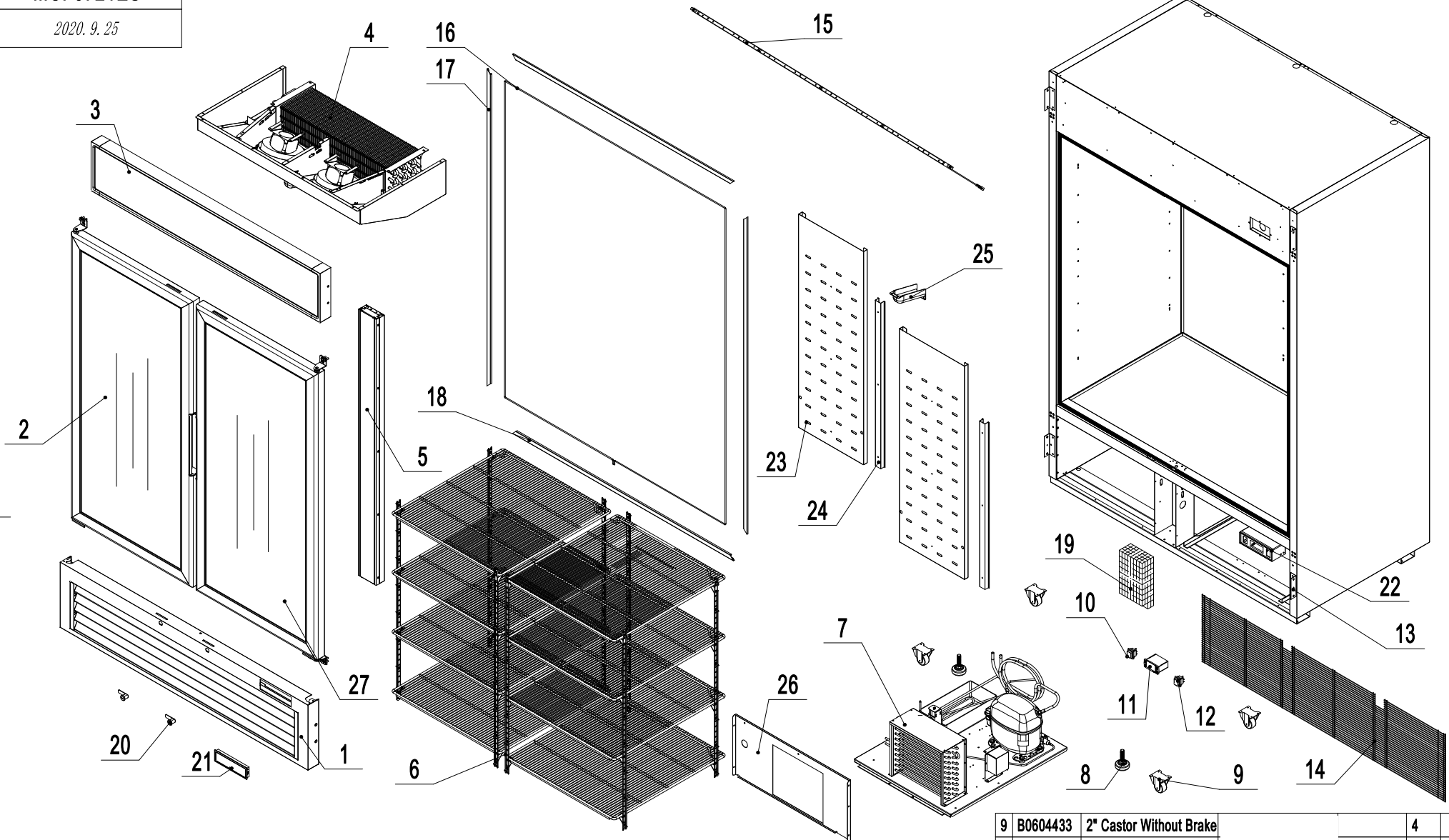
2020. 9. 25

A

B

C

D



27	MCF8701201000	right door Assembly
26	85031901	Wind deflector unit
25	W0409081	A drain protection
24	80011041	Back wind deflector stents
23	80021040	Back wind deflector
22	W0409883	Controller Braket
21	W0409887	Controller Cover
20	W0604007	Lock
19	W0399147	Power Supply

1	18	W04100068	Top-Bottom Frame Cover	
GI	1	17	W04100062	Left-Right Frame Cover
ABS	1	16	W0210967	Cabinet Heater Pipe
SUS430	2	15	W0304081	LED Light
SUS430	2	14	W0402634	Back Bottom Barrier
	1	13	85041801	Fastener For Bottom Panel
	1	12	W0308019	Power Switch
	2	11	W0302175-FF4G4D10	Digital Controller
200W	1	10	W0308018	Light Switch

	2	9	B0604433	2" Castor Without Brake
	2	8	B0604417	Leg
	1	7	MCF8703203000	Comp&Cond Assembly
	1	6	MCF8703215030	Shelf Assembly
	1	5	MCF8703202002	Mullion Assembly
	1	4	MCF8703204000	Evaporator Assembly
	4	3	8721-MTPA-A1	Top Panel Assembly
(GREEN)	1	2	MCF8703201000	left door Assembly
(BLUE)	1	1	87120405	Bottom Panel
(RED)	1	Material code	English Name	

4		
2		
1		
1		
1		
1		
1		
MATERIAL	QUANTITY	Remark

1

2

3

4

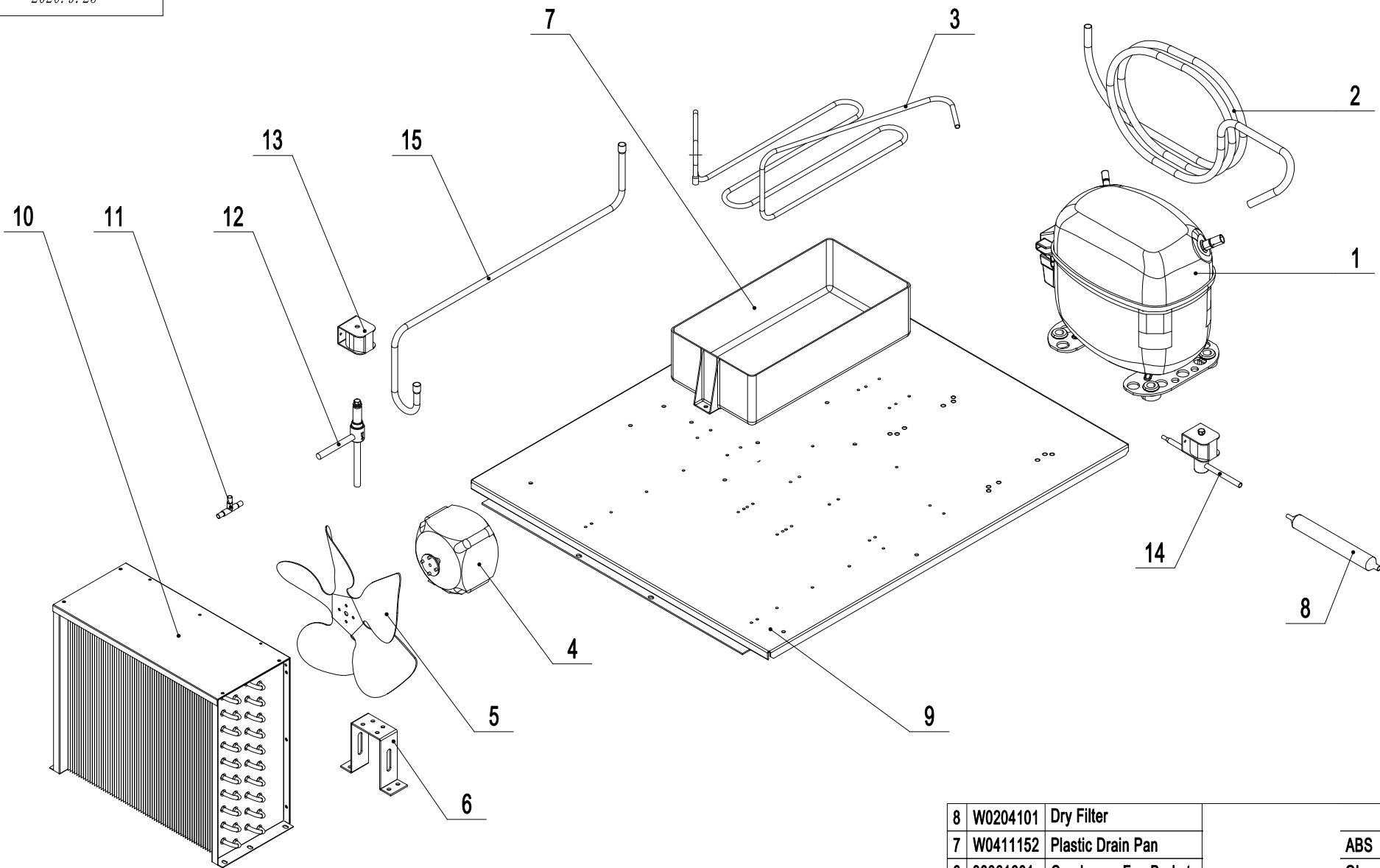
5

6

D

# 8703ES-CCA

2020. 9. 25



15	W0210972	Connecting Coil from Valve
14	W0205031	Solenoid valve body(Normally open)
13	W0205025	Solenoid valve coil
12	W0205026	Solenoid valve body(Normally closed)
11	W0208017	'T' Three way connecting pipe
10	W0203101	Condenser
9	85030501	Compressor Board

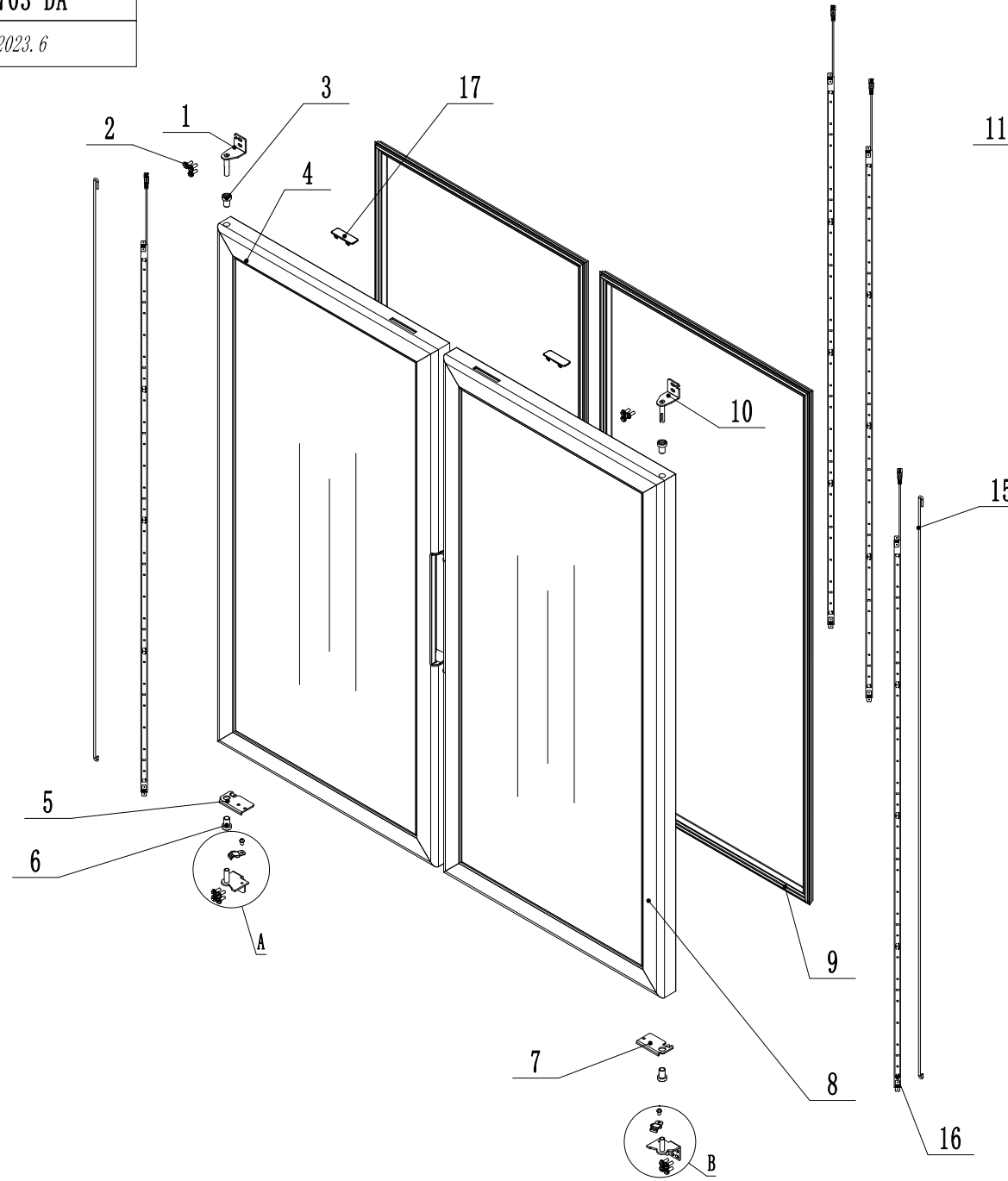
	1	
FD2AK18	1	
	2	
FD6A	1	
TP2-M	1	
GI TP2-M	1	
GI	1	

8	W0204101	Dry Filter
7	W0411152	Plastic Drain Pan
6	80061601	Condenser Fan Braket
5	W0301061	Condenser Fan Blade
4	W0301033	Condensor Fan
3	W02100004	High Pressure Coil
2	W02100005	Low Pressure Coil Back to Comp
1	W0201835	Compressor
序号	Material code	English Name

	1	
ABS	1	
GI	1	
AL/Ø230	1	
	1	
TP2-M	1	
TP2-M	1	
	1	
MATERIAL	QUANTITY	Remark

8703-DA

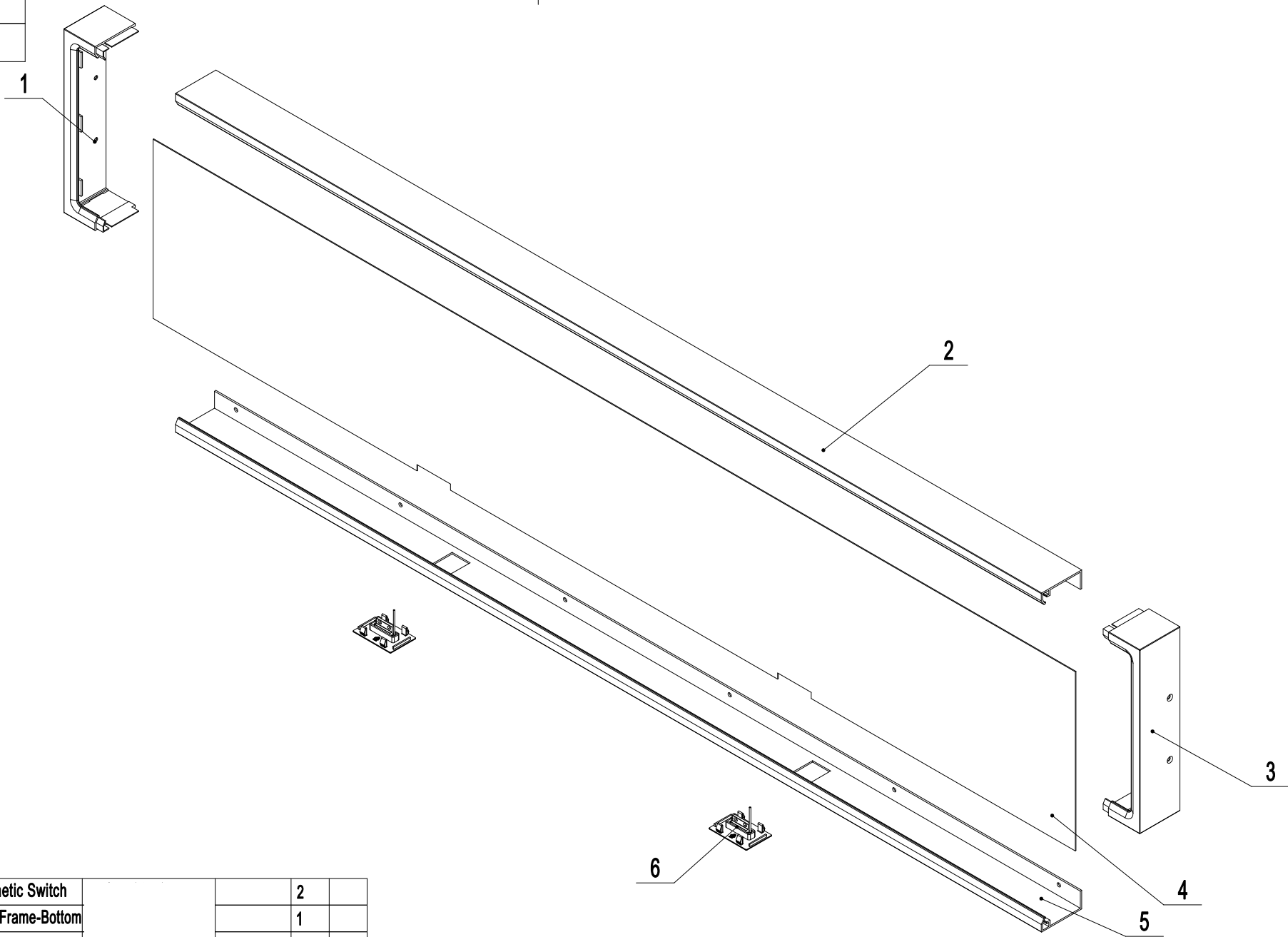
2023.6



17	W0409163	Showcase Magnetic Steel	2	
16	W0304081	LED Light	4	
15	W0604933	Door Spring Bar	2	
14	W0604024	Right-Bottom Hinge	1	
13	B0507018	Screw M6x8	2	
12	W0604038	Door Brake-Bottom	2	
11	W0604025	Left-Bottom Hinge	1	
10	W0604022	Right-Top Hinge	1	
9	W0404579	Door Gasket	2	
8	W0412809	Right Glass Door	1	
7	W0604030	Door Brake -Right	1	
6	W0409843	Door Shaft Sleeve-Bottom	2	
5	W0604031	Door Brake -Left	1	
4	W0412814	Left Glass Door	1	
3	W0409842	Door Shaft Sleeve-Top	2	
2	B0506077	Screw M6x16	14	
1	W0604023	Left-Top Hinge	1	
序号	Material code	English Name	MATERIAL	QUANTITY Remark

# 8721-MTPA-At

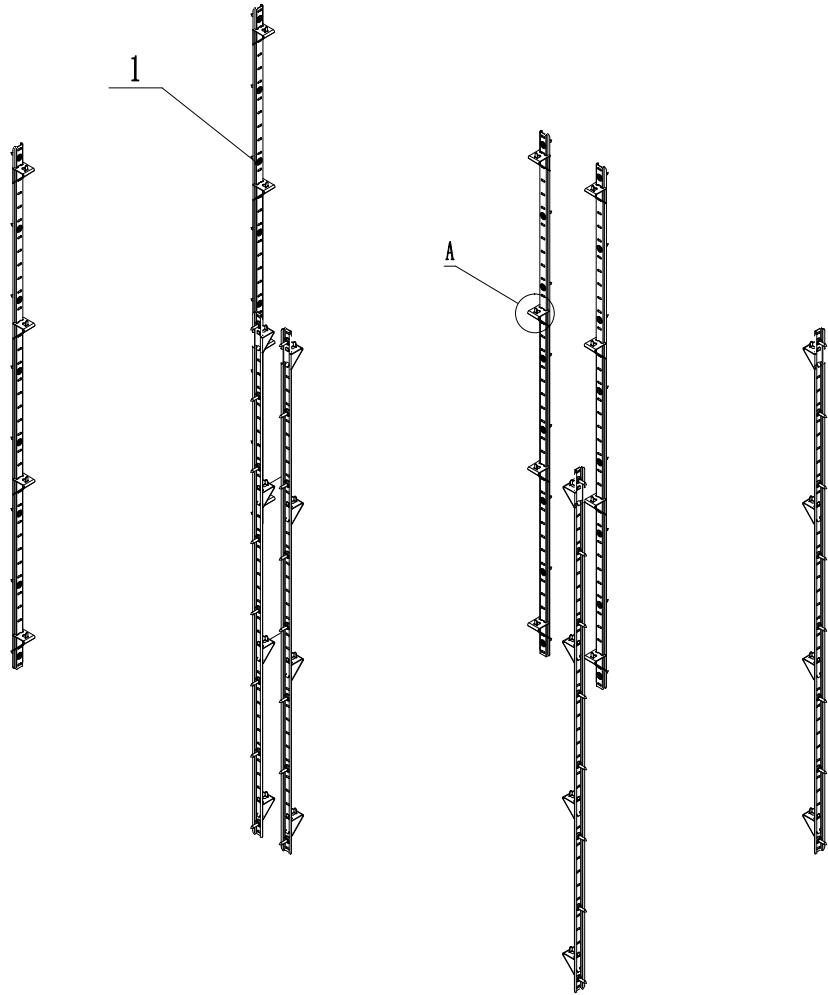
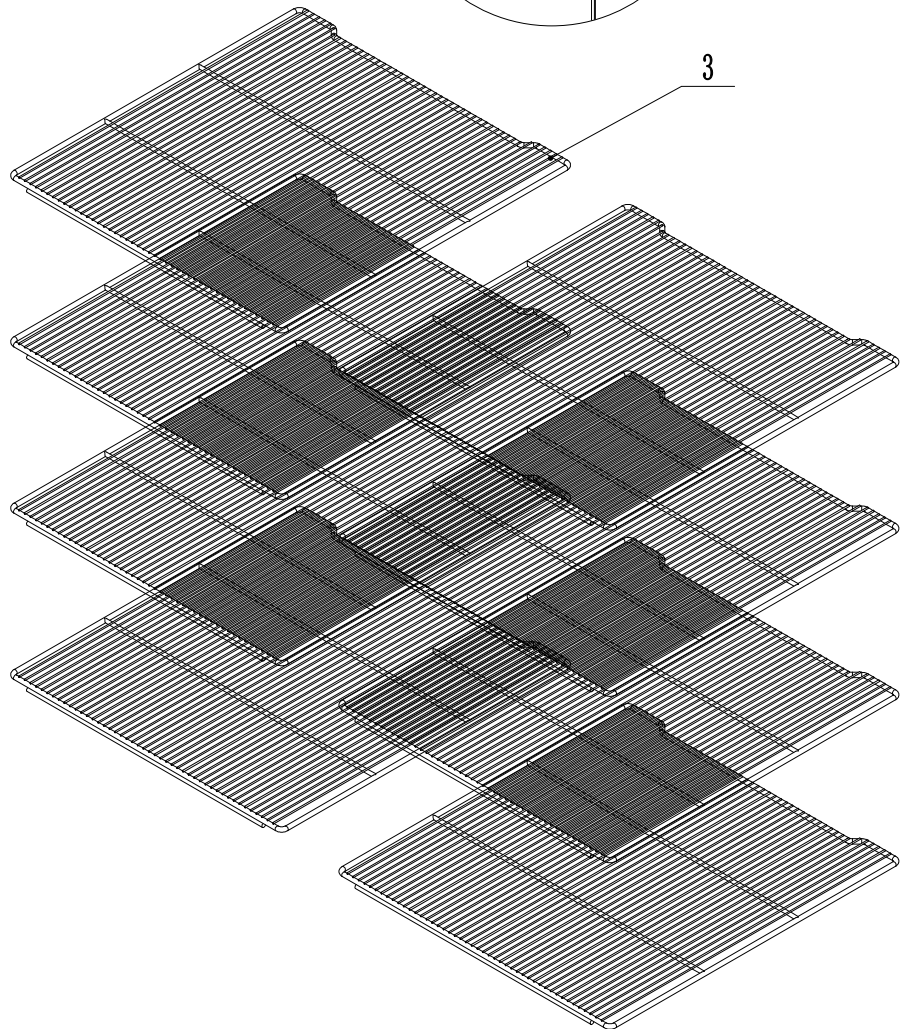
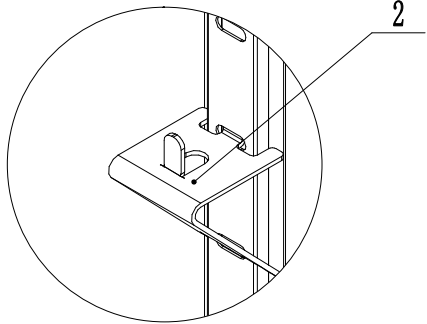
2022.2



6	W0409162	Gate Magnetic Switch		2	
5	W0410752-1	Top Panel Frame-Bottom		1	
4	R10007000104	Top Panel		1	
3	W0409268	Top Panel Frame-Right	ABS	1	
2	W0410751	Top Panel Frame-Top		1	
1	W0409269	Top Panel Frame-Left	ABS	1	
序号	Material code	English Name	MATERIAL	QUANTITY	Remark

8703GR-SA

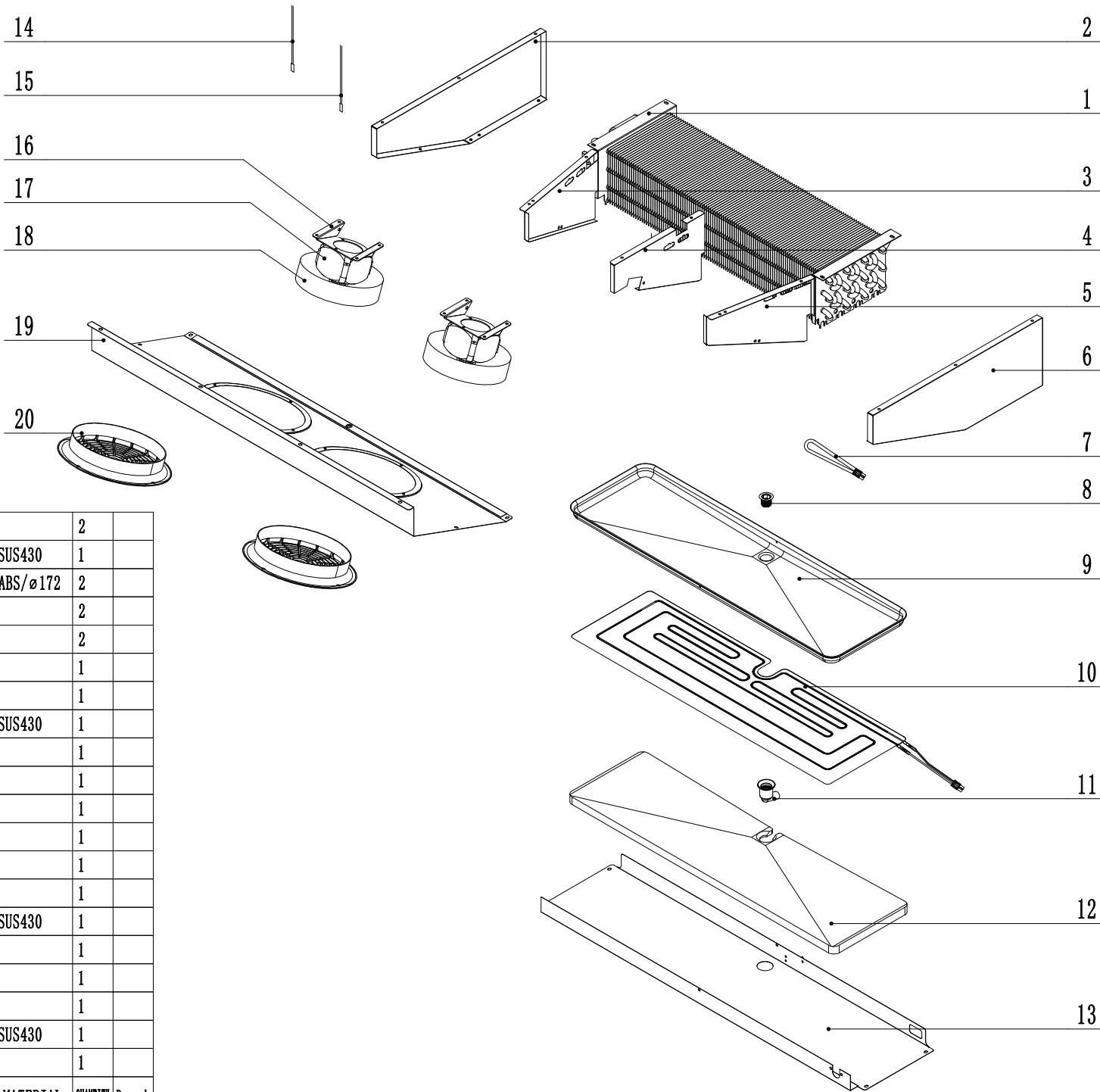
2020. 6. 29



3	W0402395	Shelf		8	
2	66490313	Shelf Support Clip		SUS430	32
1	80037410	Pilaster For Shelf		SUS430	8
序号	Material code	English Name		MATERIAL	QUANTITY Remark

8703GR-EA

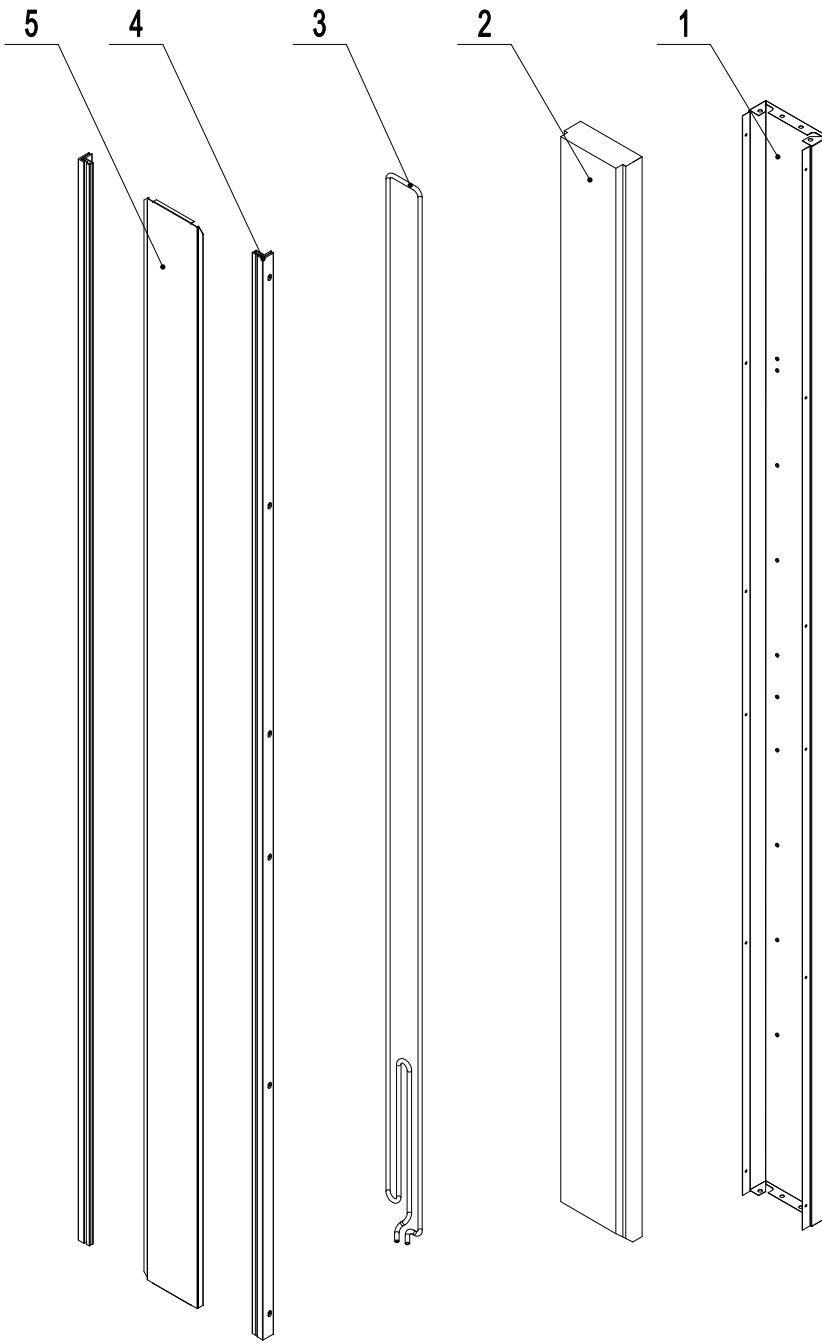
2023



20	W0409080	Evap Fan Motor Cover		2	
19	8602120203	Evap Front Cover	SUS430	1	
18	W0301078-01	Evap Fan Blade	ABS/φ172	2	
17	W0301912-01	Evap Fan Motor		2	
16	80021501	Evap Fan Bracket		2	
15	W0302317	Evap Temp Probe		1	
14	W0302316	Room Temp Probe		1	
13	8114120101	Drain Pan Cover	SUS430	1	
12	W0803012	Drain Pan Foam		1	
11	W0409858	Drain Hose Connector A		1	
10	W0310078	Drain Pan Heater		1	
9	80022003	Drain Pan		1	
8	W0409859	Drain Hose Connector B		1	
7	W0310068	Drain Hose Heater		1	
6	80021207	Evap Right Cover	SUS430	1	
5	80021204	Right Air Lane Cover		1	
4	80021205	Middle Air Lane Cover		1	
3	80021203	Left Air Lane Cover		1	
2	80021206	Evap Left Cover	SUS430	1	
1	W0202135	Evaporator		1	
序号	Material code	English Name	MATERIAL	QUANTITY	Remark

8721ES-MA-At

2021.6



5	85041111-HCB	Mullion Front Cover		1	
4	W0410976	Mullion Plastic Connector	PVC-H	2	
3	W0210968	Mullion Heater Pipe		1	
2	W0499086	Mullion Foam		1	
1	85041110-430	Mullion Back Cover	SUS430	1	
序号	Material code	English Name	MATERIAL	QUANTITY	Remark