



"WE MAKE THE KITCHEN BETTER!"

ATOSA USA, INC.

Toll Free: 855-855-0399 Email: info@atosausa.com

www.atosa.com | www.atosausa.com

California, Colorado, Florida, Georgia, Illinois,

New Jersey, Ohio, Texas, Washington

Black Exterior Glass Door Refrigerator Merchandisers

Standard Features

- Black steel exterior with stainless steel interior
- Maintains temperatures between 33°F – 40°F
- Lighted header panel
- LED interior lighting standard
- Electronic Temperature Controller
- Four(4) shelves standard per section
- Double pane glass door(s)
- Self-closing door(s) with automatic stay open feature
- Recessed door handle
- Door lock(s) standard
- Magnetic door gasket
- Self-contained bottom mount refrigeration system with environmentally friendly R290 refrigerant
- Pre-installed casters
- Pre-installed shelves
- NEMA-5-15P plug standard

Optional Accessories

- Extra shelves – includes 4 shelf clips per shelf
- MCF8722GR - shelf part#: W0402394
- MCF8723GR - shelf part#: W0402395
- MCF8724GR - shelf part#: W0402395 W0402396 (Middle)
- MCF8733GR - shelf part#: W0402197

For the best results of food preservation we recommend setting your refrigerator between 33°F to 38 °F



2 YEAR PARTS AND LABOR WARRANTY
5 YEAR COMPRESSOR PART WARRANTY

MODELS:

MCF8722GR / MCF8733GR
MCF8723GR / MCF8724GR



MCF8722GR



MCF8724GR



MCF8723GR



MCF8733GR

Model #	Lighted header panel overall dimensions	Lighted header panel visual dimensions
MCF8722GR	26 ⁹ / ₁₆ ×9 ¹ / ₁₆ ×1/8	25 ¹¹ / ₁₆ ×8
MCF8733GR	39 ¹ / ₁₆ ×9 ¹ / ₁₆ ×1/8	38 ³ / ₁₆ ×8
MCF8723GR	54×9 ¹ / ₁₆ ×1/8	53 ¹ / ₈ ×8
MCF8724GR	81 ⁷ / ₁₆ ×9 ¹ / ₁₆ ×1/8	80 ⁹ / ₁₆ ×8



MCF8722GR
MCF8723GR





"WE MAKE THE KITCHEN BETTER!"

ATOSA USA, INC.

Toll Free: 855-855-0399 Email: info@atosausa.com

www.atosa.com | www.atosausa.com

California, Colorado, Florida, Georgia, Illinois,

New Jersey, Ohio, Texas, Washington

SPECIFICATIONS

Models	Door	Capacity (Cu.Ft.)	Shelves	Casters (inch)	Rated Current (A)	Voltage (V/Hz/Ph)	HP	Refrigerant	Exterior Dimensions (inch)	Net Weight (lb)	Gross Weight (lb)
MCF8722GR	1	19.4	4	2	2.1	115/60/1	1/7	R290	27×31 ^{1/2} ×81 ^{1/5}	293	326
MCF8733GR	2	28.5	8	2	3.2	115/60/1	1/5	R290	39 ^{1/2} ×31 ^{1/2} ×81 ^{1/5}	353	403
MCF8723GR	2	43.8	8	2	3.2	115/60/1	1/5	R290	54 ^{2/5} ×31 ^{1/2} ×81 ^{1/5}	485	540
MCF8724GR	3	69.5	12	2	4.2	115/60/1	1/4	R290	81 ^{9/10} ×31 ^{1/2} ×81 ^{1/5}	653	761

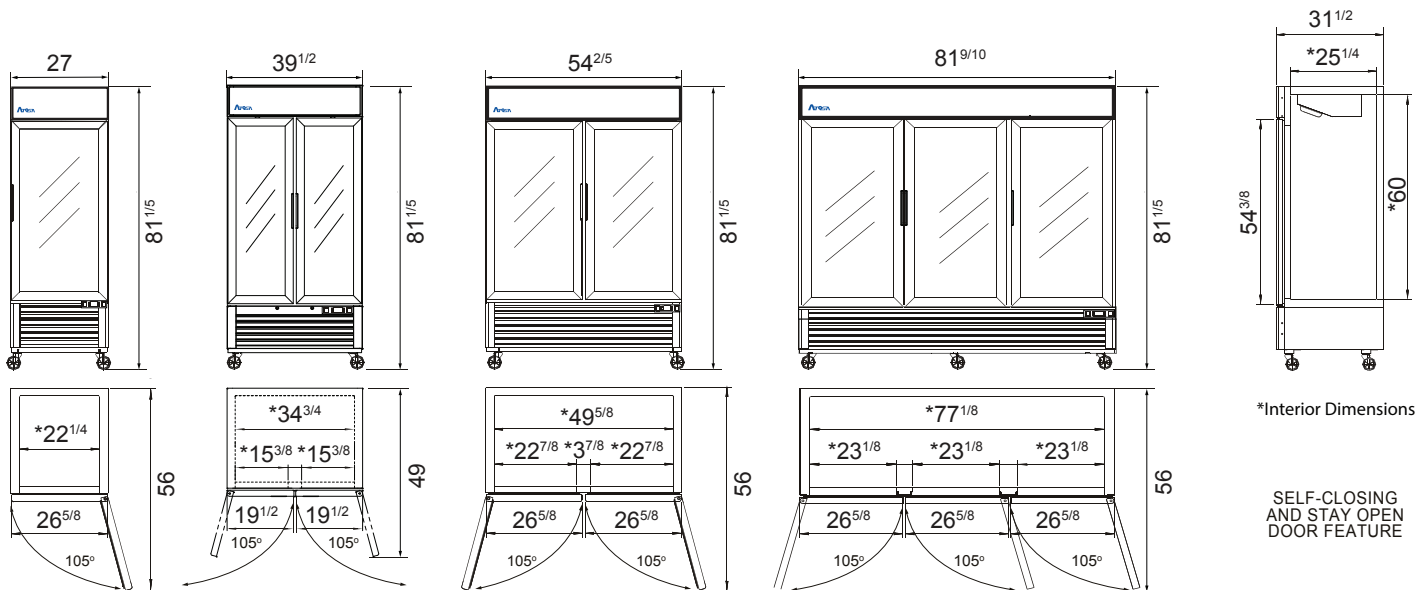
PLAN VIEW

MCF8722GR

MCF8733GR

MCF8723GR

MCF8724GR



Casters

Temperature control

Door lock

LED lights

Epoxy shelves

