

1

2

3

4

5

6

7

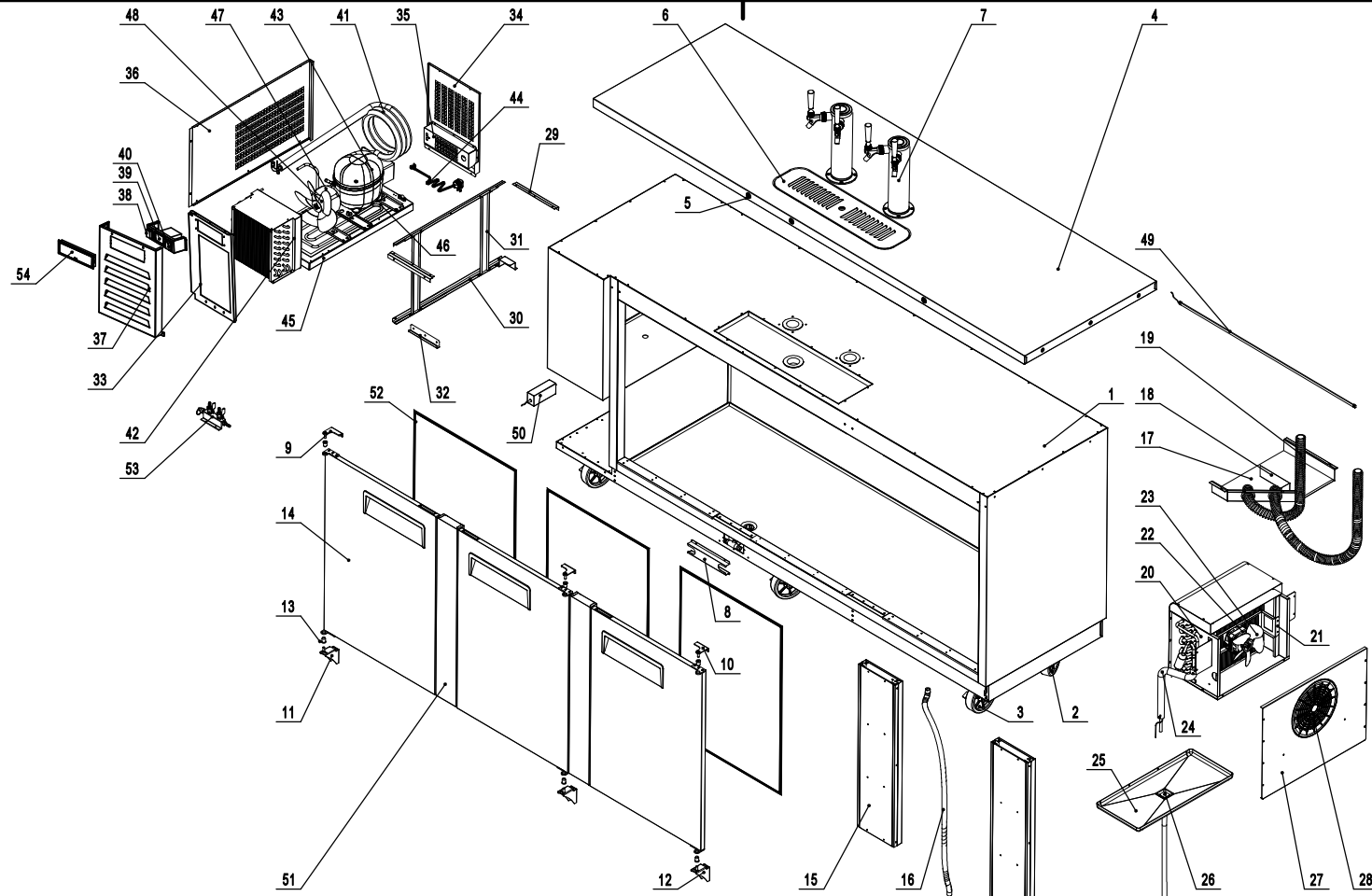
8

9

10

MKC90GR

REV 11.2024



| No. | Part #        | Qty | Part Name                   |
|-----|---------------|-----|-----------------------------|
| 1   | N/A           | 1   | Cabinet Assembly            |
| 2   | B0604401      | 3   | 2" M8 Stem Caster W/O Brake |
| 3   | B0604402      | 3   | 2" M8 Stem Caster W/ Brake  |
| 4   | MKC90-0301    | 1   | Counter Top Assembly        |
| 5   | W0604007      | 3   | Lock&Key                    |
| 6   | MKC58-0303    | 1   | Sink                        |
| 7   | W0699063      | 2   | Faucet                      |
| 8   | MKC58-0705    | 1   | Tee Drain Pipe Cover        |
| 9   | W0604200      | 1   | Top Left Hinge              |
| 10  | W0604201      | 2   | Top Right Hinge             |
| 11  | W0604202      | 1   | Bottom Left Hinge           |
| 12  | W0604203      | 2   | Bottom Right Hinge          |
| 13  | W0409900      | 6   | Door Shaft Sleeve           |
| 14  | MBB0059201000 | 1   | Left Door                   |
| 15  | MBB0059201020 | 2   | Right Door                  |
| 16  | MKC0090202000 | 2   | Mullion                     |
| 17  | W0408940      | 1   | PVC Tube                    |
| 18  | MKC58-0605    | 1   | Stack Duct                  |

| No. | Part #     | Qty | Part Name                    |
|-----|------------|-----|------------------------------|
| 18  | MKC58-0606 | 1   | Stack Duct Assembly          |
| 19  | W0408942   | 2   | PUR Tube                     |
| 20  | W0202061   | 1   | Evaporator                   |
| 21  | MKC58-0612 | 1   | Evap Fan Bracket             |
| 22  | W0301904-1 | 1   | Evap Fan Motor               |
| 23  | W0301059   | 1   | Evap Fan Blade               |
| 24  | W0210443   | 1   | Evap Coil                    |
| 25  | W0411093   | 1   | Evap Drain Pan               |
| 26  | W0409100   | 1   | Drain Pipe                   |
| 27  | MKC58-0607 | 1   | Evap Cover                   |
| 28  | W0409080   | 1   | Evap Fan Shroud              |
| 29  | MKC58-0706 | 2   | Front Air Vent Frame Support |
| 30  | MKC58-0707 | 2   | Left Air Vent Frame Support  |
| 31  | MKC58-0708 | 2   | Unit Frame Support           |
| 32  | MKC58-0709 | 1   | Unit Front Cover Fastner     |
| 33  | MKC58-0714 | 1   | Condenser Air Baffle         |
| 34  | MKC58-0703 | 1   | Back Air Vent Cover          |
| 35  | MKC58-0704 | 1   | Power Cord Box               |

| No. | Part #            | Qty | Part Name                  |
|-----|-------------------|-----|----------------------------|
| 36  | MKC58-0702        | 1   | Left Air Vent Cover        |
| 37  | MKC58-0715        | 1   | Front Air Vent Cover       |
| 38  | W0308022          | 1   | LED Power Switch           |
| 39  | W0302174-FR6A6M10 | 1   | Digital Controller         |
| 40  | W0308019          | 1   | Power Switch               |
| 41  | W0210442          | 1   | Suction Tube               |
| 42  | W0203065          | 1   | Condenser                  |
| 43  | W0201042          | 1   | Compressor                 |
| 44  | W0305134          | 1   | Power Cord                 |
| 45  | MKC58-0801        | 1   | Condensing Unit Base Board |
| 46  | W0210440          | 1   | Condenser Coil             |
| 47  | W0301905-1        | 1   | Condenser Fan Motor        |
| 48  | W0301060          | 1   | Condenser Fan Blade        |
| 49  | W0304085          | 1   | LED Light                  |
| 50  | W0399115          | 1   | Power Supply/Transformer   |
| 51  | MKC90-0503        | 1   | Mullion Cover              |
| 52  | W0404066          | 3   | Door Gasket                |
| 53  | W0699062          | 1   | CO2 Distributor            |
| 54  | W0409887          | 1   | Controller Cover           |

1 2 3 4 5 6 7 8 9 10