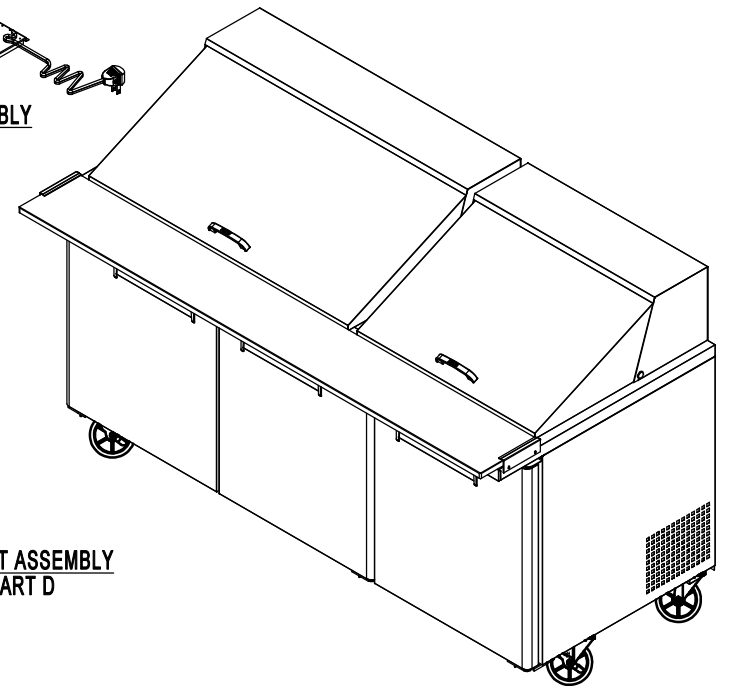
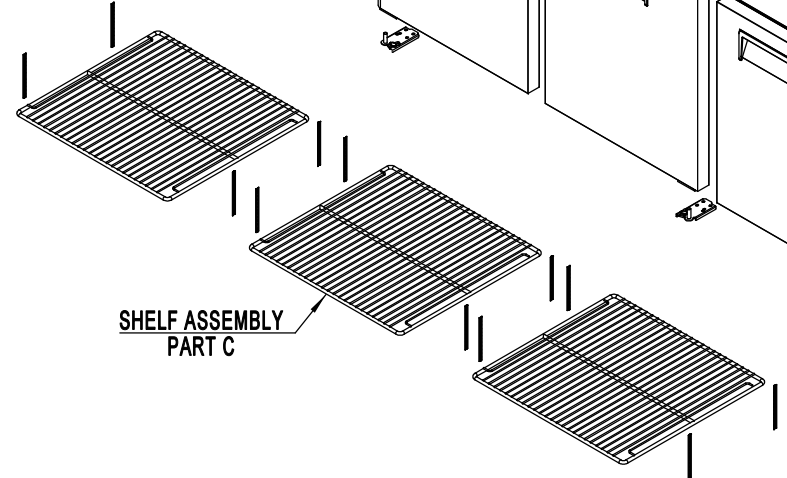
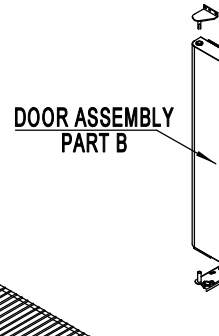
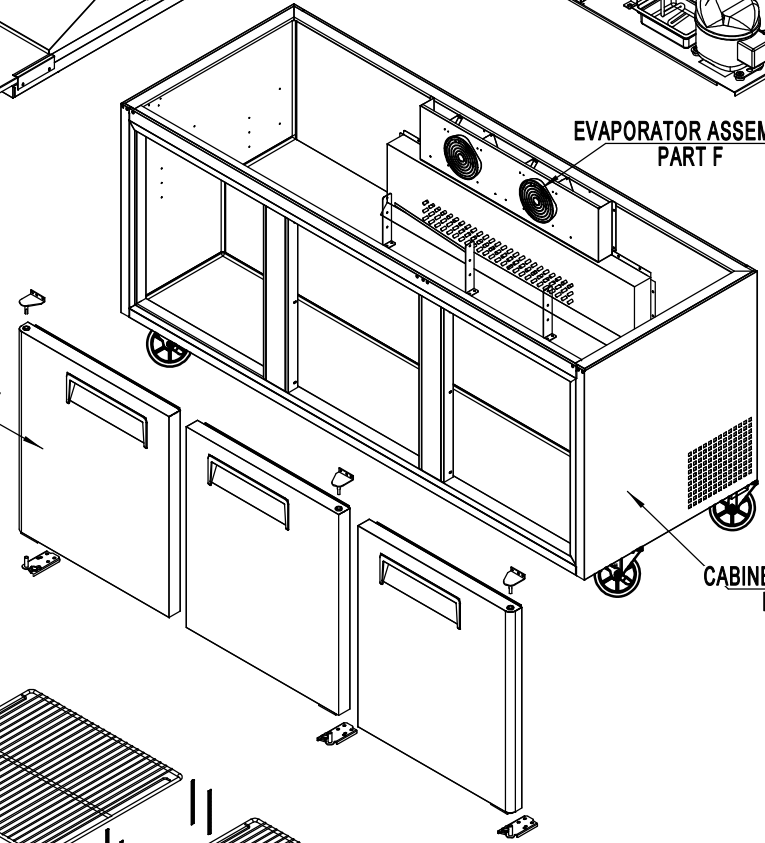
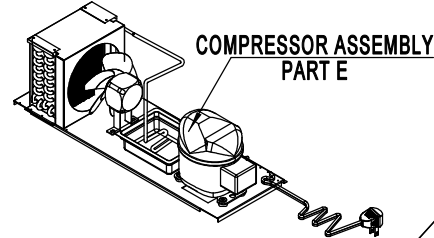
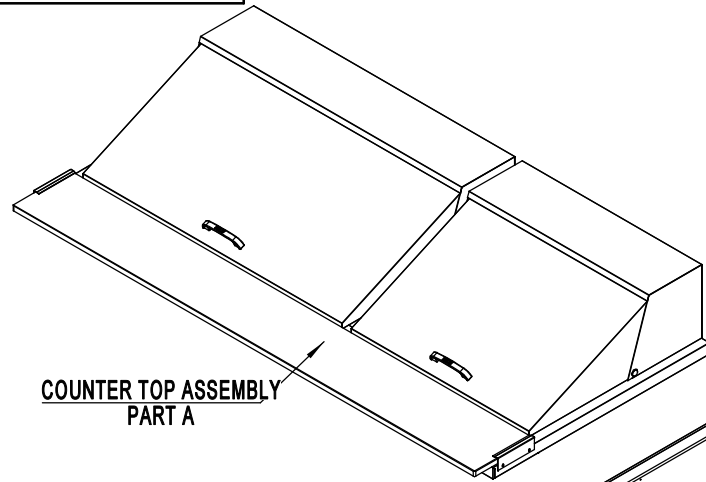


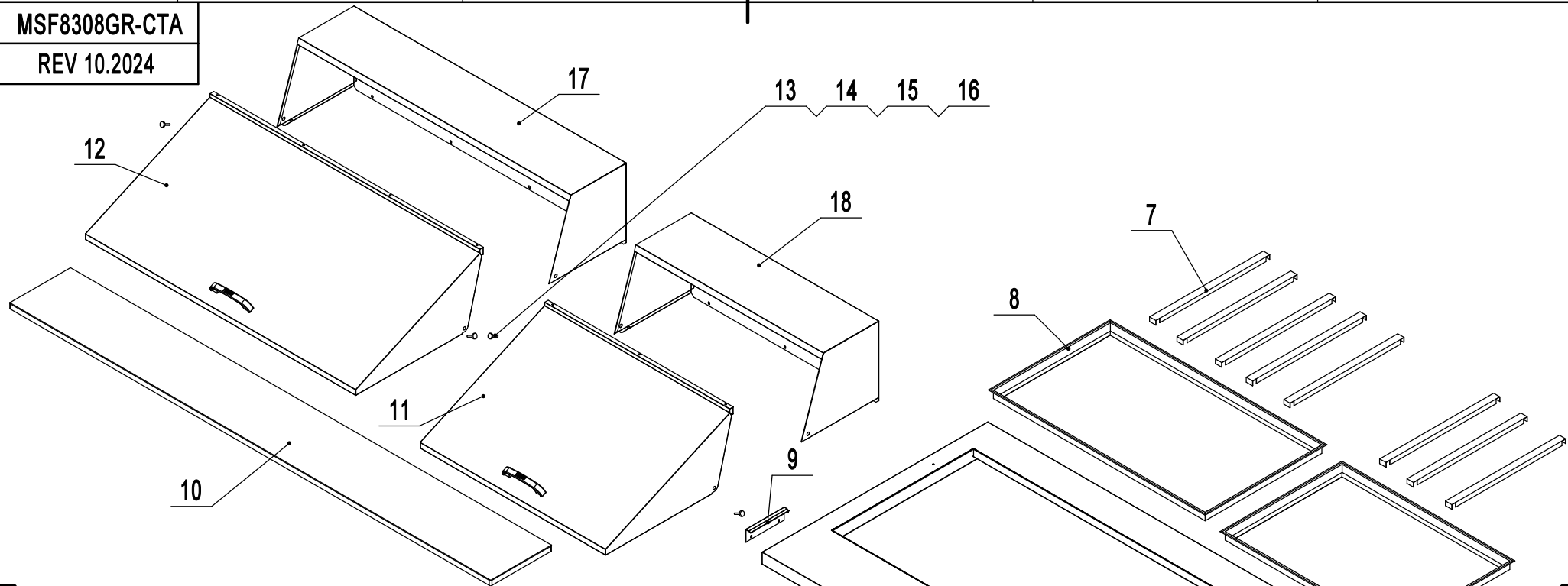
MSF8308GR

REV 10.2024



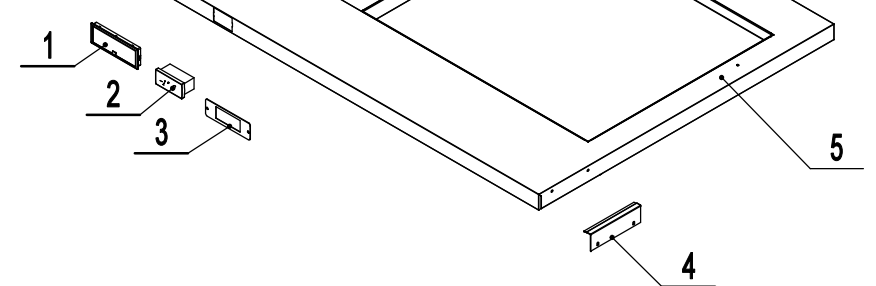
MSF8308GR-CTA

REV 10.2024



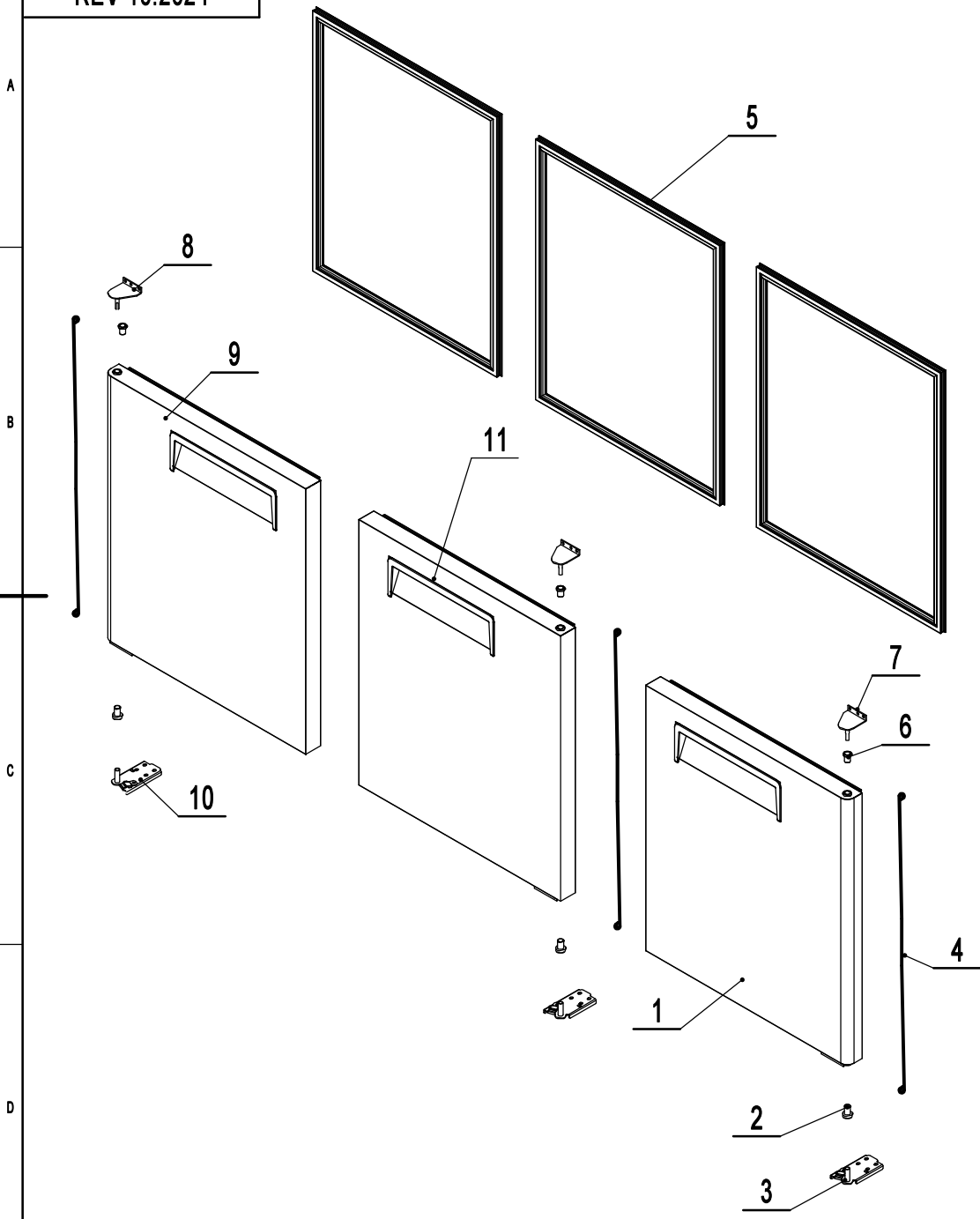
18	MSF8307AJ02	Right Hood	1
17	MSF8308AJ01	Left Hood	1
16	B0503101	Stainless Steel Cap Nut	4
15	W0604021	Lid Hinge Washer	4
14	W0604040	Big Lid Hinge Washer	4
13	W0604039	Lid Hinge Screw	4
12	MSF8308AJ02	Left Lid	1
11	MSF8307AJ01	Right Lid	1
10	W0499202	Chopping Board	1
9	83022702	Left Chopping Board Bracket	1
8	MSF8306AI02	Left Pan Frame Support	1
7	83061904	Pan Divided Bar	8
6	MSF8307AI02	Right Pan Frame Support	1
5	MSF8308FF01	Counter Top Assembly	1
4	83022703	Chopping Board Bracket	1
3	83032302	Controller Bracket	1
2	W0302024	Controller Display	1
1	W0409878	Controller Cover	1

No.	Part #	Part Name	Qty
-----	--------	-----------	-----



MSF8308GR-DA

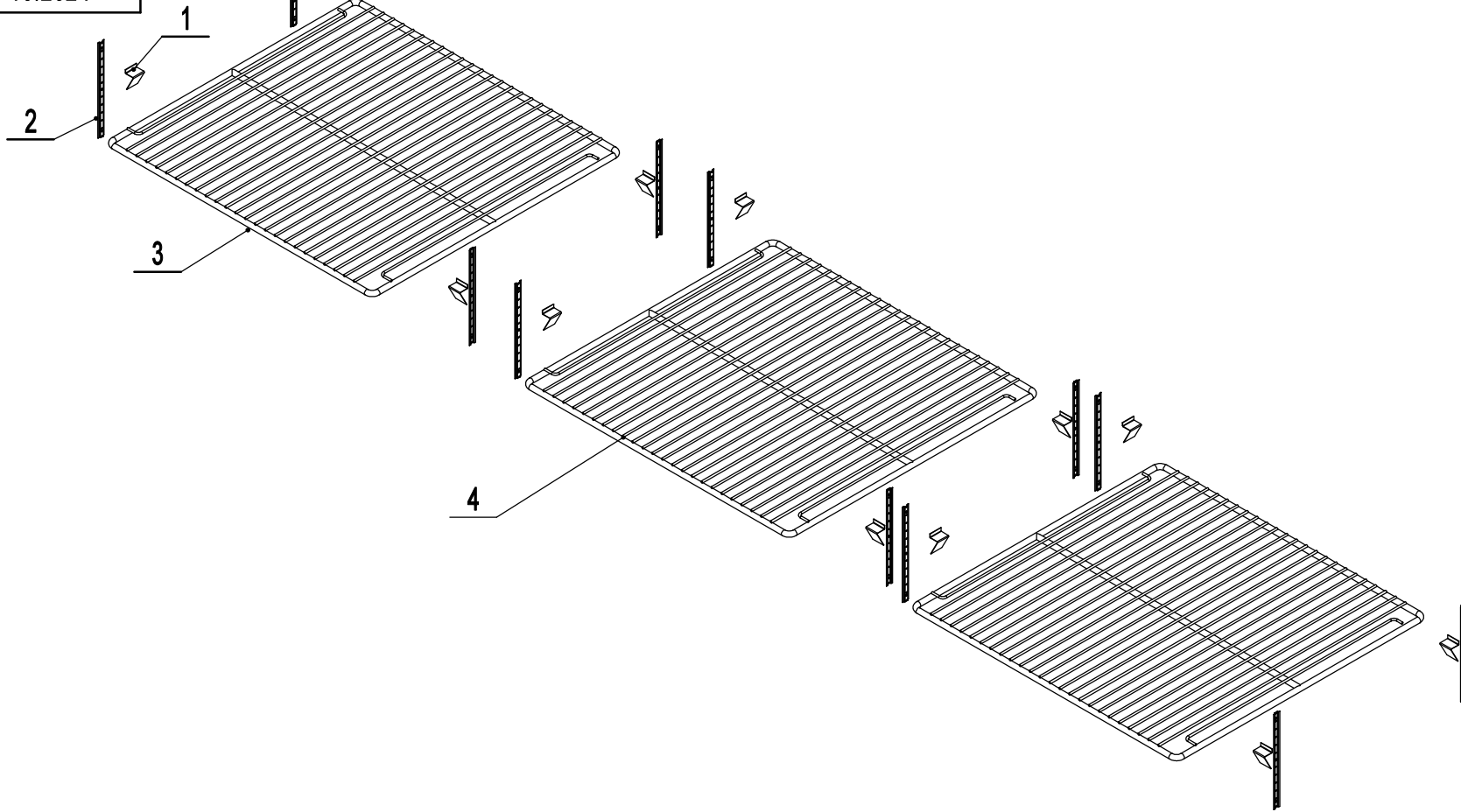
REV 10.2024



11	MSF8304FC02	Middle Door Assembly	1
10	W0604029	Bottom Left Hinge	1
9	MSF8304FC01	Left Door Assembly	1
8	W0604027	Top Left Hinge	1
7	W0604026	Top Right Hinge	2
6	W0409845	Top Door Shaft Sleeve	3
5	W0404520	Door Gasket	3
4	W0604922	Door Spring Bar	3
3	W0604028	Bottom Right Hinge	2
2	W0409843	Bottom Door Shaft Sleeve	3
1	MSF8304FC03	Right Door Assembly	1
No.	Part #	Part Name	Qty

MSF8308GR-SA

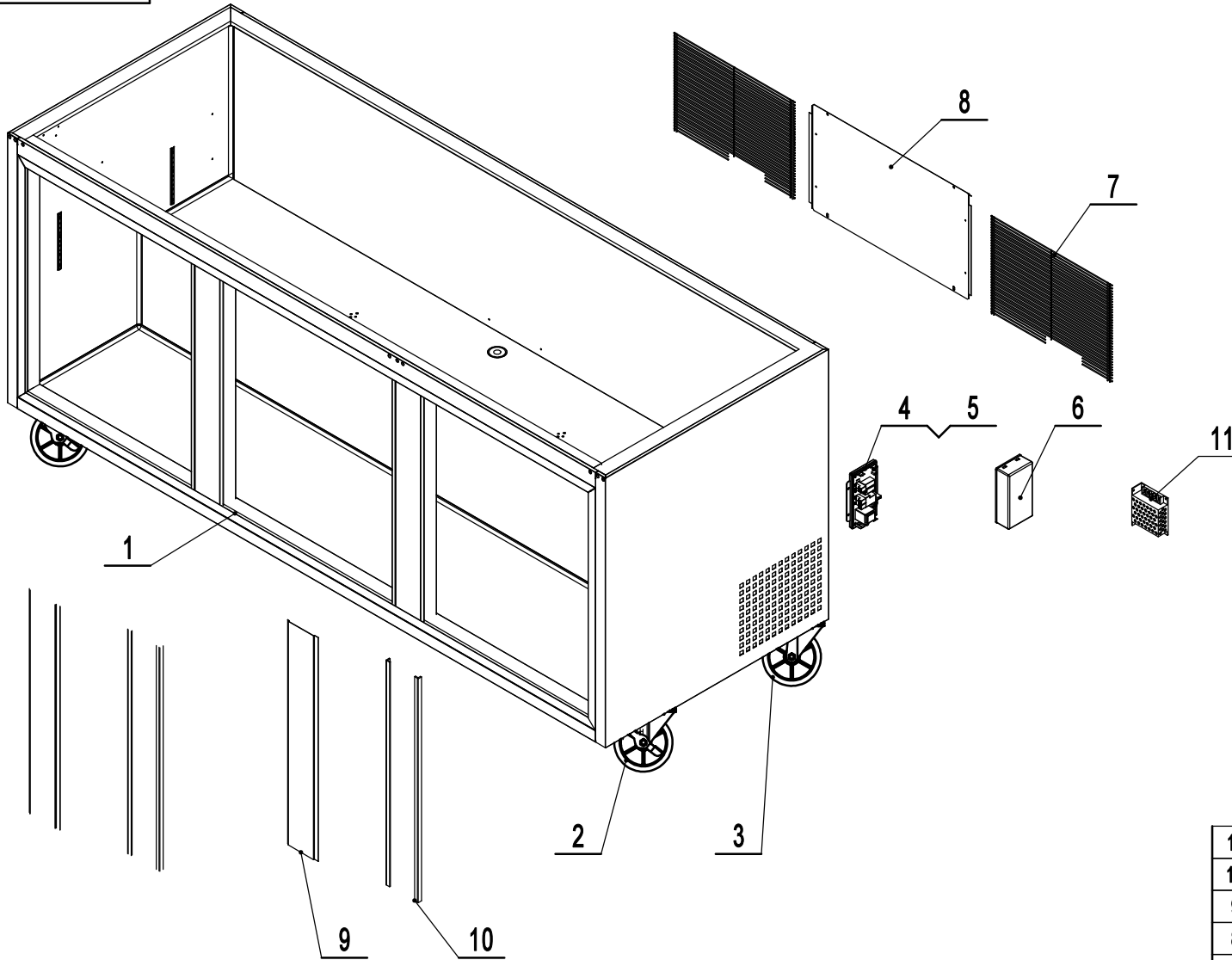
REV 10.2024



4	W0402570	Shelf, Middle, 23-5/8 x 17-5/8	1
3	W0402171	Shelf, 21-1/2 x 17-5/8	2
2	24432012	Shelf Pilaster	12
1	66490313	Shelf Clip	12
No.	Part #	Part Name	Qty

MSF8308GR-CA

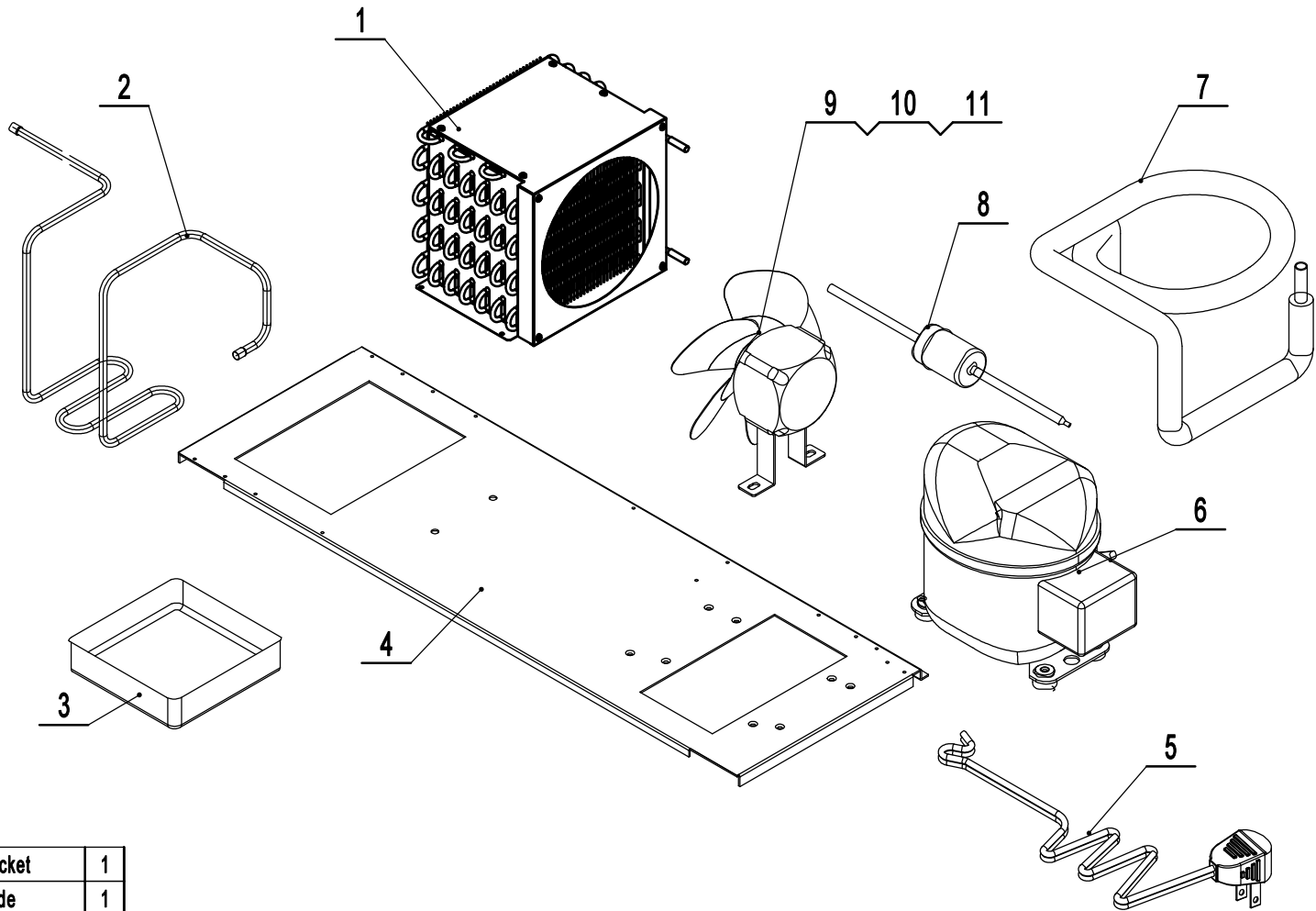
REV 10.2024



11	W0399177	Power Supply/Transformer	1
10	W0406117	Middle Mullion Grille	4
9	83031201	Mullion Front Cover	2
8	83021908	Back Cover	1
7	W0402576	Back Barrier	2
6	W0409028	Controller Box Cover	1
5	W0302017	Digital Controller	1
4	W0409027	Controller Box	1
3	B0604006	5" M14 Stem Caster	2
2	B0604007	5" M14 Stem Caster W/ Brake	2
1	MSF8304FA01	Cabinet Assembly	1
No.	Part #	Part Name	Qty

MSF8308GR-CCA

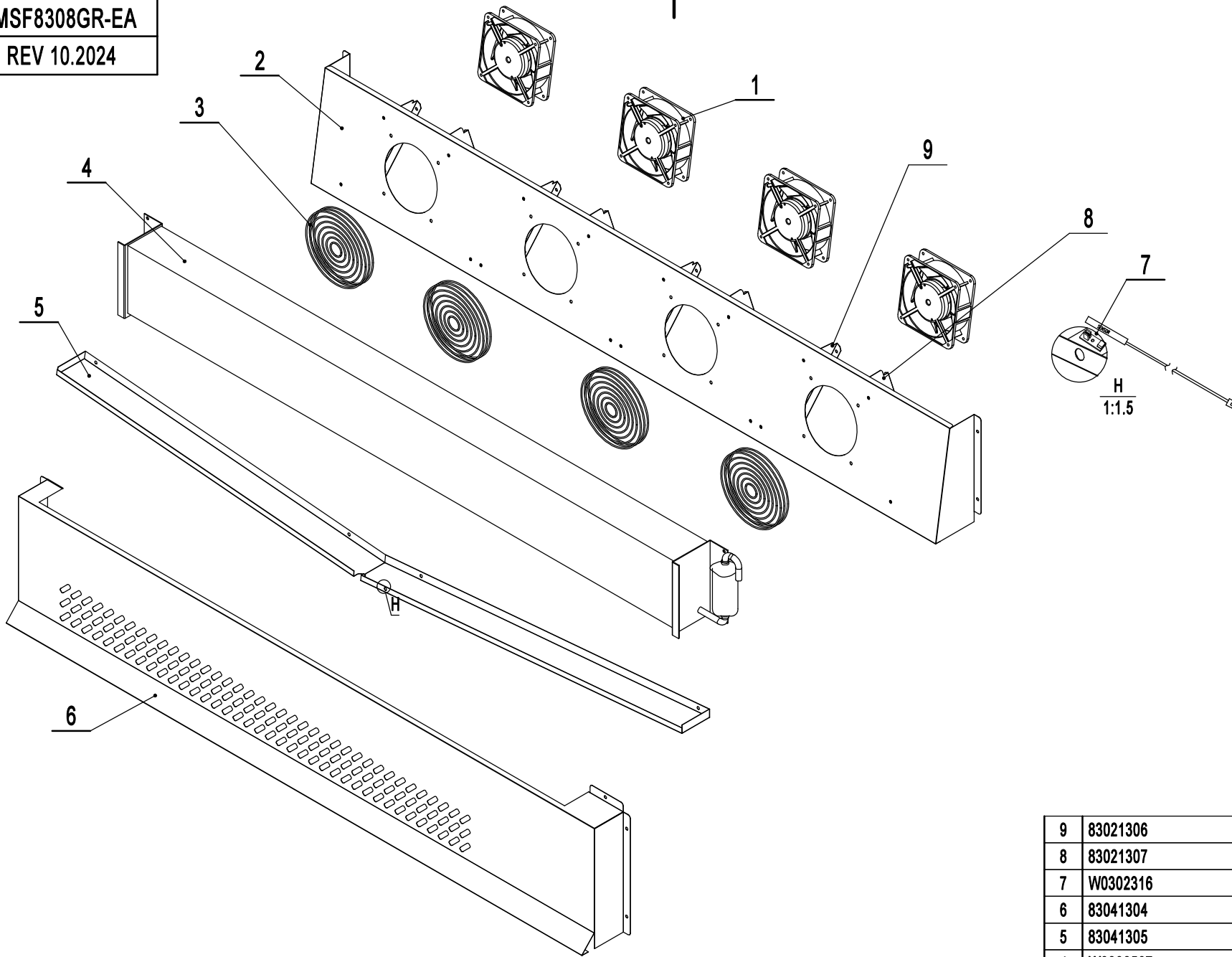
REV 10.2024



11	W0604079	Condenser Fan Bracket	1
10	W0301060	Condenser Fan Blade	1
9	W0301905	Condenser Fan Motor	1
8	W0204003	Filter Drier	1
7	W0210576	Suction Tube B	1
6	W0201164	Compressor	1
5	W0305134	Power Cord	1
4	83022105	Condensing Unit Board	1
3	W0411206	Condenser Drain Pan	1
2	W0210591	Discharge Tube	1
1	W0203066	Condenser	1
No.	Part #	Part Name	Qty

MSF8308GR-EA

REV 10.2024



9	83021306	Evap Left Air Deflector	4
8	83021307	Evap Right Air Deflector	4
7	W0302316	Room Temp White Probe	1
6	83041304	Evap Cover	1
5	83041305	Evap Drain Pan	1
4	W0202507	Evaporator	1
3	W0604065	Evap Fan Guard	4
2	83041303	Evap Fan Shroud	1
1	W0301101	Evap Motor	4
No.	Part #	Part Name	Qty