



**"WE MAKE THE KITCHEN BETTER!"**

**ATOSA USA, INC.**

**Toll Free: 855-855-0399 Email: info@atosausa.com**

www.atosa.com | www.atosausa.com

California, Colorado, Florida, Georgia, Illinois,

New Jersey, Ohio, Texas, Washington

# Shallow Depth Back Bar Coolers With Glass Doors

## Standard Features

- Stainless steel exterior & interior
- Electronic temperature controller
- Maintains temperatures between 33°F – 40°F
- Heavy duty compressor with environmentally friendly R290 refrigerant
- Slide out compressor assembly for easy maintenance
- LED Interior light(s)
- Magnetic door gasket(s) standard for positive door seal
- Door lock(s) standard
- Pre-installed epoxy coated shelves
- Pre-installed casters
- Sliding door models available

## Optional Accessories

- Extra shelves – includes 4 shelf clips per shelf
- SBB48GGRAUS1, SBB48SGGRAUS1 – Top Left Shelf part#: W040237801 (Top Right Shelf, Bottom Shelves) W040237701
- SBB59GGRAUS1 – Top Left Shelf part#: W040235801 (Top Right Shelf, Bottom Shelves) W040235701
- SBB69GGRAUS1, SBB69SGGRAUS1 – Top Left Shelf part#: W040238101 (Top Right Shelf, Bottom Shelves) W040238001

For the best results of food preservation we recommend setting your refrigerator between 33°F to 38 °F

1. Don't forget to leave the unit some room to breathe!
2. Please clean the condenser frequently to give the unit more fresh air.



2 YEAR PARTS AND LABOR WARRANTY  
5 YEAR COMPRESSOR PART WARRANTY

## MODELS:

SBB48GGRAUS1 / SBB48SGGRAUS1 / SBB59GGRAUS1  
/ SBB69GGRAUS1 / SBB69SGGRAUS1



**SBB48GGRAUS1**



**SBB48SGGRAUS1**



**SBB59GGRAUS1**



**SBB69GGRAUS1**



**SBB69SGGRAUS1**





**"WE MAKE THE KITCHEN BETTER!"**

**ATOSA USA, INC.**

Toll Free: 855-855-0399 Email: [info@atosausa.com](mailto:info@atosausa.com)

[www.atosa.com](http://www.atosa.com) | [www.atosausa.com](http://www.atosausa.com)

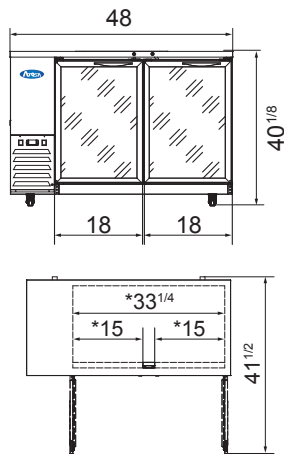
California, Colorado, Florida, Georgia, Illinois,  
New Jersey, Ohio, Texas, Washington

## SPECIFICATIONS

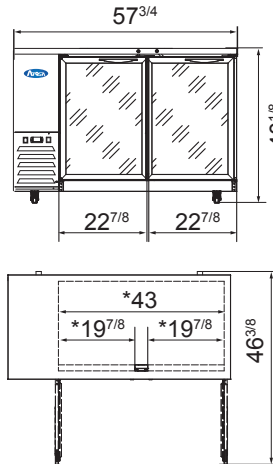
| Models        | Door | Capacity (Cu.Ft.) | Shelves | Casters (inch) | Amps (A) | Voltage (V/Hz/Ph) | HP  | Refrigerant | Exterior Dimensions (inch)                              | Net Weight (lb) | Gross Weight (lb) |
|---------------|------|-------------------|---------|----------------|----------|-------------------|-----|-------------|---|-----------------|-------------------|
| SBB48GGRAUS1  | 2    | 11.5              | 4       | 2              | 2.3      | 115/60/1          | 1/7 | R290        | 48×24 <sup>1/2</sup> ×40 <sup>1/8</sup>                 | 205             | 249               |
| SBB48SGGRAUS1 | 2    | 11.5              | 4       | 2              | 2.3      | 115/60/1          | 1/7 | R290        | 48×24 <sup>1/2</sup> ×40 <sup>1/8</sup>                 | 205             | 249               |
| SBB59GGRAUS1  | 2    | 15                | 4       | 2              | 2.3      | 115/60/1          | 1/7 | R290        | 57 <sup>3/4</sup> ×24 <sup>1/2</sup> ×40 <sup>1/8</sup> | 225             | 269               |
| SBB69GGRAUS1  | 2    | 18.6              | 4       | 2              | 2.3      | 115/60/1          | 1/7 | R290        | 68×24 <sup>1/2</sup> ×40 <sup>1/8</sup>                 | 247             | 298               |
| SBB69SGGRAUS1 | 2    | 18.6              | 4       | 2              | 2.3      | 115/60/1          | 1/7 | R290        | 68×24 <sup>1/2</sup> ×40 <sup>1/8</sup>                 | 247             | 298               |

## PLAN VIEW

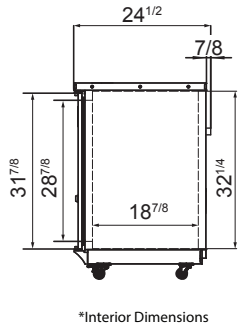
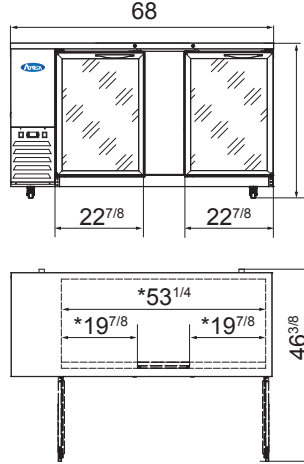
**SBB48GGRAUS1**



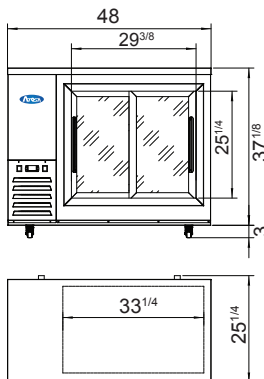
**SBB59GGRAUS1**



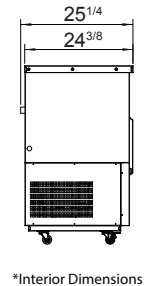
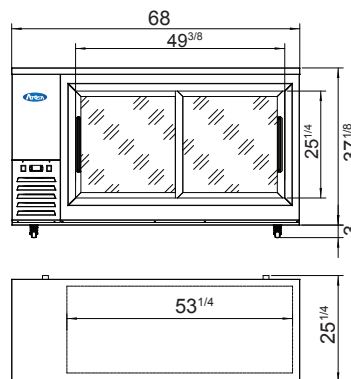
**SBB69GGRAUS1**



**SBB48SGGRAUS1**



**SBB69SGGRAUS1**



Epoxy shelves



Door lock



Temperature control



**NEMA 5-15P**

