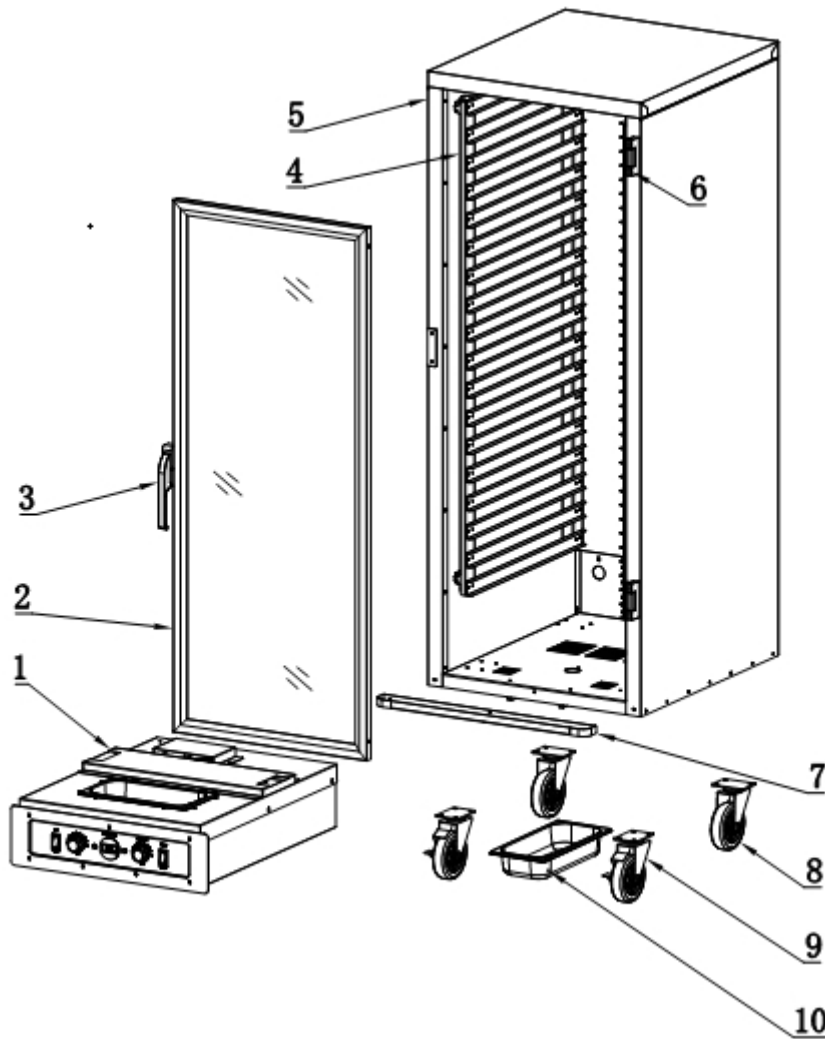


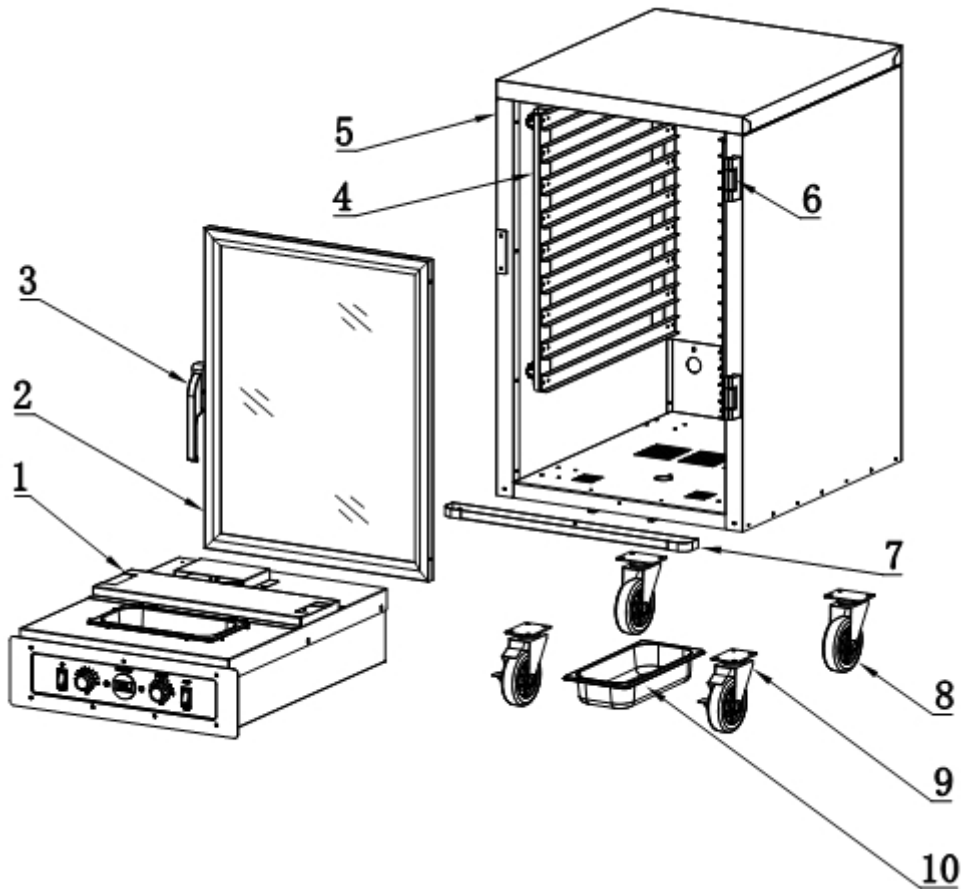
- △ The use of parts provided by other companies, our company has the right not to provide warranty service;
- △ Order replacement parts from authorized representatives and after-sale service agency.
- △ Provide the model no. , serial no. and description when you order components.

ATHC-18



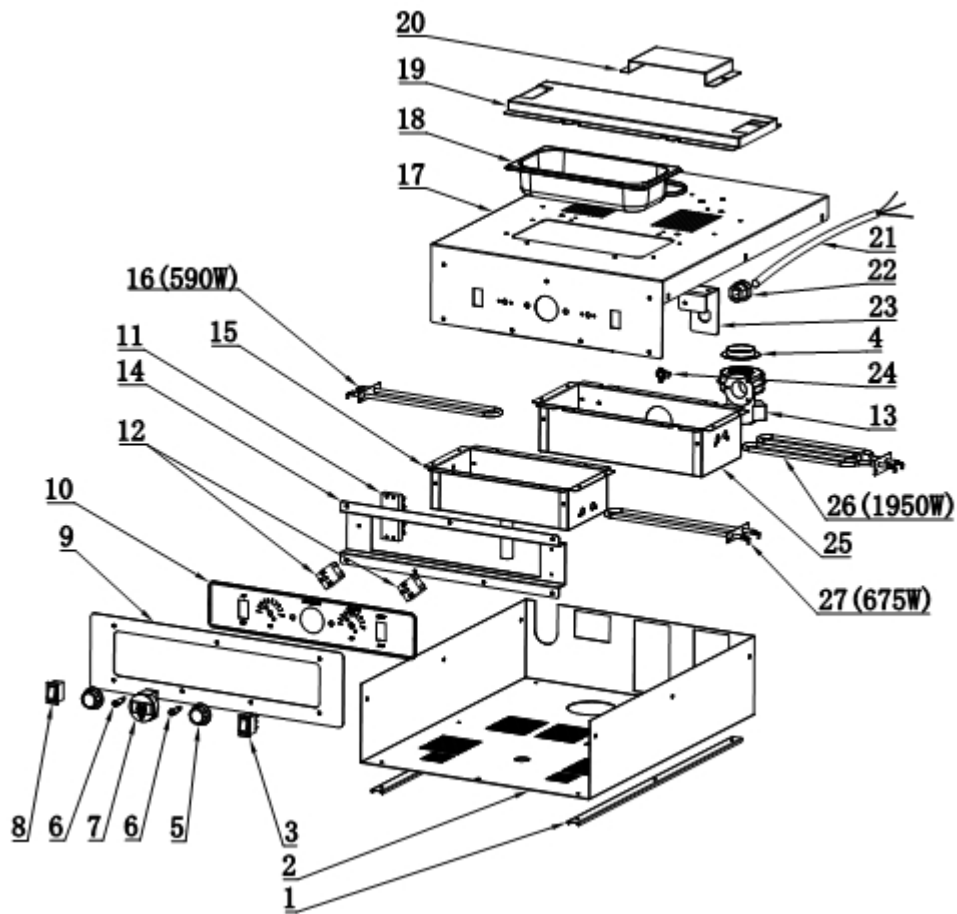
No.	Matters Code	Component name	Qty	Dimensions (mm)/Model	Remark
1	1212030311	MODULE	1		
2	W041219814	DOOR FRAME	1	1430*580	
3	W060418913	DOOR HANDLE	1		
4	W060419811	FOOD PAN BRACKET	2	1331*610	
5	1212030318	CABINET	1	638*713*1650	
6	W060418912	DOOR HINGE	2		
7	1212030301	SINK-FRONT	1	636*50	
8	B060418915	NO-BRAKE CASTER	2		
9	B060418916	BRAKE CASTER	2		
10	13065-YD01	1/3 * 2.5 "tray	1		SUS201

ATHC-9



No.	Matters Code	Component name	Qty	Dimensions (mm)/Model	Remark
1	1212030311	MODULE	1		
2	W041218914	DOOR FRAME	1	744*580	
3	W060418913	DOOR HANDLE	1		
4	W060419812	FOOD PAN BRACKET	2	647*610	
5	1212030309	CABINET	1	638*713*964	
6	W060418912	DOOR HINGE	2		
7	1212030301	SINK-FRONT	1	636*50	
8	B060418915	NO-BRAKE CASTER	2		
9	B060418916	BRAKE CASTER	2		
10	13065-YD01	1/3 * 2.5 "tray	1		SUS201

MODULE



No.	Matters Code	Component name	Qty	Dimensions (mm)/Model	Remark
1	121203026	BOTTOM COVER SLIDE	2		
2	121203025	BOTTOM COVER	1		
3	W030818952	SELECTOR SWITCH	1		
4	121203011	BLOWER INTAKE	1		
	121203012	BLOWER INTAKE	1		
5	W030818904	THERMOSTAT KNOB	2		
6	W030418946	AMBER LIGHT	2		
7	W039918956	DIGITAL THERMOMETER	1		
8	W030818951	POWER SWITCH	1		
9	121203019	CONTROL PANEL	1		
10	W081518933	CONTROL PANEL, PC	1		
11	W030918954	TERMINAL BLOCK	1		

12	W030218955	THERMOSTAT	2		
13	W031118958	BLOWER	1		
14	121203027	ELECTRICAL SUPPORT	1		
15	121203022	WATER PAN ENCLOSURE	1		
16	W031118950	HEATING ELEMENT, U-SHAPED, 120V 590W	1		
17	121203024	MODULE CHASIS	1		
18	A2132-YD01	1/3 * 2.5 "tray	1		SUS304
19	121203020	AIR DISCHARGE COVER	1		
20	121203021	INTAKE COVER	1		
21	W030618947	POWER CORD	1		
22	W030918909	STRAIN RELIEF BUSHING	1		
23	121203028	POWER CORD BRACKET	1		
24	W030818953	THERMAL CUT-OUT	1		
25	121203023	AIR DUCT	1		
26	W031118948	HEATING ELEMENT, M-SHAPED, 120V 1950W	1		
27	W031118949	HEATING ELEMENT, U-SHAPED, 120V 675W	1		