

## 18" Stainless Steel Hand Sink

### MODELS:

MRS-HS-18

### Standard Features

- 18 Gauge, 300 series stainless steel
- 6" Backsplash with 2" return
- Goose neck faucet with wrist blade handles included
- 1-1/2" drain opening
- 1-1/8" faucet holes on 4" centers
- 1-1/2" waste drain opening
- Strainer and faucet included
- Z-clip mounting bracket
- Easy to clean and sanitize

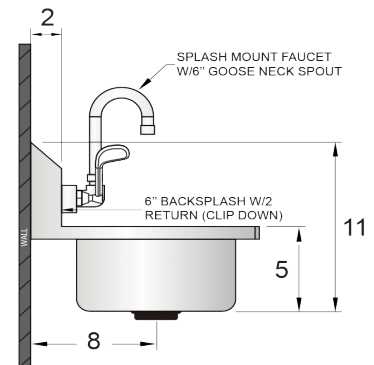
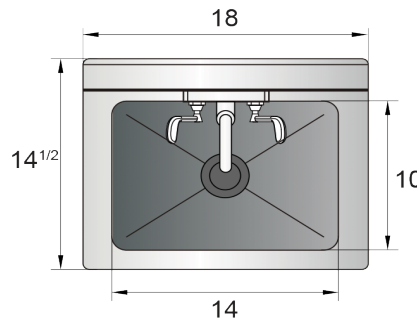
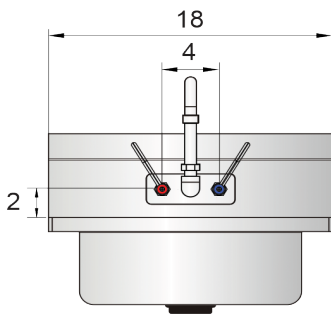


### Optional Accessories

- Side splashes. Item#: MRS-HS-18SP

Model	Ga.	Bowl Size(inch)	Exterior Dimensions(inch)	Net Weight (lb)
MRS-HS-18	18	14 × 10 × 5	18 × 14 <sup>1/2</sup> × 11	13

### PLAN VIEW



90 DAYS WARRANTY ON WORKMANSHIP

