



"WE MAKE THE KITCHEN BETTER!"

ATOSA USA, INC.

Toll Free: 855-855-0399 Email: info@atosausa.com

www.atosa.com | www.atosausa.com

California, Colorado, Florida, Georgia, Illinois,
New Jersey, Ohio, Texas, Washington

One Compartment Sink Left Drainboard

Standard Features

- Entire sink is formed from a single sheet, fused and polished creating a one-piece sanitary unit
- 18" drainboard on left
- All exposed welds are grounded smooth and polished to blend with adjacent surfaces providing a satin finish
- Large radius on all corners both vertically and horizontally
- Creased and angled drain board for easy drainage
- Galvanized legs are standard on all models
- Adjustable ABS bullet feet
- Faucets sold separately

Optional Features

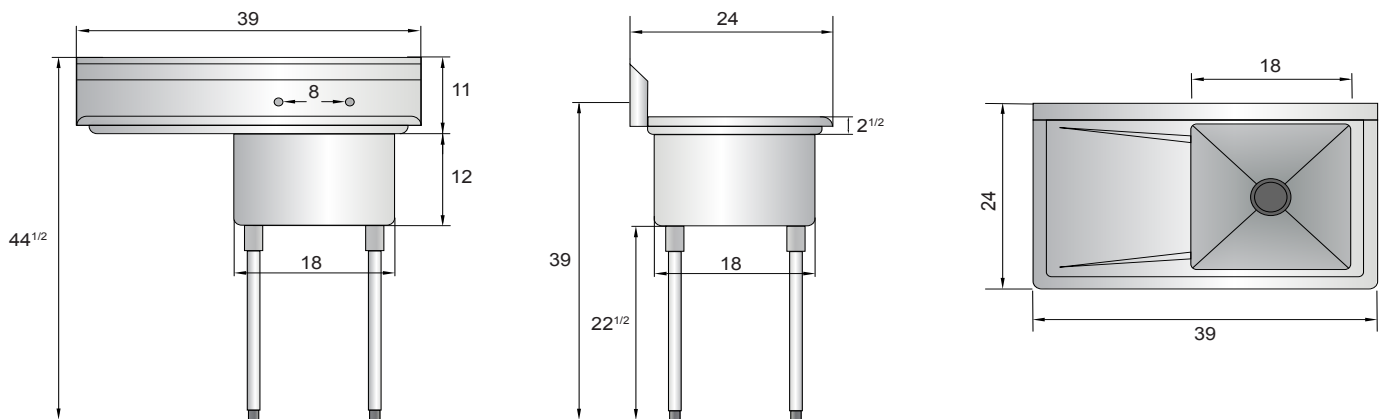
- Leg cross bar (pair) part #: MRPN007

| MODELS: |
|----------|
| MRSA-1-L |



| Model | Ga. | Bowl Size(inch) | Leg Size(inch) | Exterior Dimensions(inch) | Net Weight (lbs) |
|----------|-----|-----------------|-------------------|---------------------------|------------------|
| MRSA-1-L | 18 | 18×18×12 | 22 ^{1/2} | 39×24×44 ^{1/2} | 39 |

PLAN VIEW



90 DAYS WARRANTY ON WORKMANSHIP

Atosa International
www.atosa.com

Atosa USA
www.atosausa.com

Atosa is continuously improving products. Specifications are subject to change without notice.



REV. 05/23