



“WE MAKE THE KITCHEN BETTER!”

ATOSA USA, INC.

Toll Free: 855-855-0399 Email: info@atosausa.com

www.atosa.com | www.atosausa.com

California, Colorado, Florida, Georgia, Illinois, New Jersey, Ohio, Texas, Washington

# One Compartment Prep Sink

## Standard Features

- Entire sink is formed from a single sheet, fused and polished creating a one-piece sanitary unit
- All exposed welds are grounded smooth and polished to blend with adjacent surfaces providing a satin finish
- Large radius on all corners both vertically and horizontally
- Galvanized legs are standard on all models
- Adjustable ABS bullet feet
- Faucets sold separately

## Optional Features

- Leg cross bar (pair) part #: MRPN007

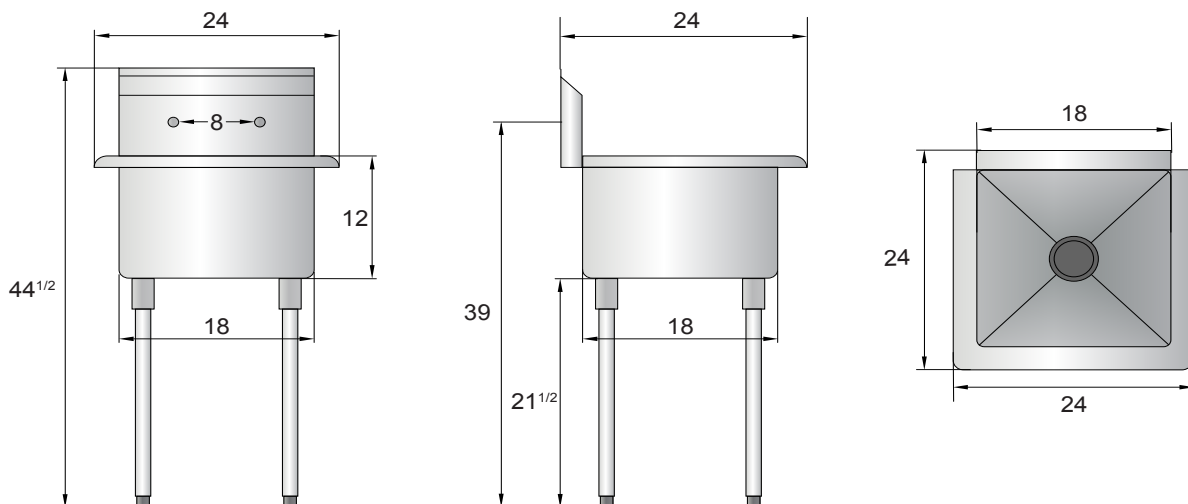
### MODELS:

MRSA-1-N



Model	Ga.	Bowl Size(inch)	Leg Size(inch)	Exterior Dimensions(inch)	Net Weight (lbs)
MRSA-1-N	18	18×18×12	21 <sup>1/2</sup>	24×24×44 <sup>1/2</sup>	30

### PLAN VIEW



90 DAYS WARRANTY ON WORKMANSHIP

Atosa International  
www.atosa.com

Atosa USA  
www.atosausa.com

\*Atosa is continuously improving products. Specifications are subject to change without notice.\*



REV. 05/23