

One Compartment Sink Right Drainboard

Standard Features

- Entire sink is formed from a single sheet, fused and polished creating a one-piece sanitary unit
- 18" drainboard on right
- All exposed welds are grounded smooth and polished to blend with adjacent surfaces providing a satin finish
- Large radius on all corners both vertically and horizontally
- Creased and angled drain board for easy drainage
- Galvanized legs are standard on all models
- Adjustable ABS bullet feet
- Faucets sold separately

Optional Features

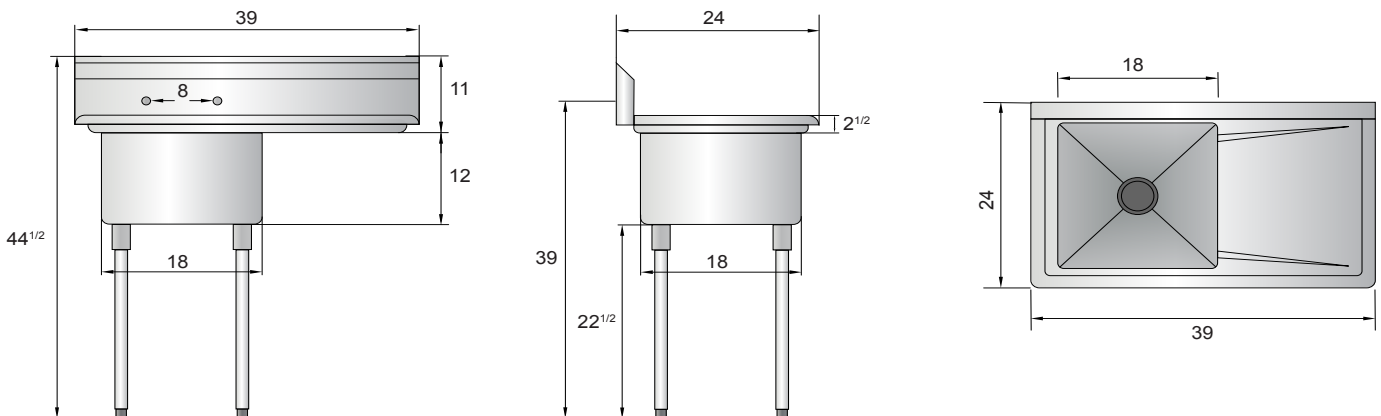
- Leg cross bar (pair) part #: MRPN007

MODELS:
MRSA-1-R



Model	Ga.	Bowl Size(inch)	Leg Size(inch)	Exterior Dimensions(inch)	Net Weight (lbs)
MRSA-1-R	18	18×18×12	22 ^{1/2}	39×24×44 ^{1/2}	39

PLAN VIEW



90 DAYS WARRANTY ON WORKMANSHIP

