

**MODELS:**

PPM-20

## Heavy Duty 20 Quart Planetary Mixer

### Standard Features

- Three fixed speeds
- Gear driven transmission with aluminum alloy gear box
- 30-minute timer
- Safety cut-switch temporarily interrupts power if gears are changed without stopping the mixer
- Easy to reach controls
- Interlocked bowl lift and stainless-steel bowl guard with swing out bowl
- 6' cord with NEMA 5-15 plug
- Steel body with open base



### Standard Accessory Package

- Stainless steel bowl
- Stainless steel flat beater
- Stainless steel wire whisk
- Stainless steel spiral dough hook
- Non-slip rubber feet

### Optional Accessories

- Meat grinder for #12 hub
- Slicer/Shredder/Grater for #12 hub



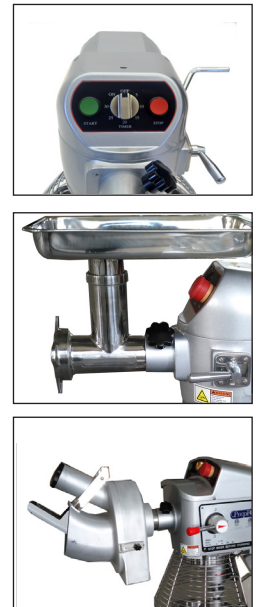
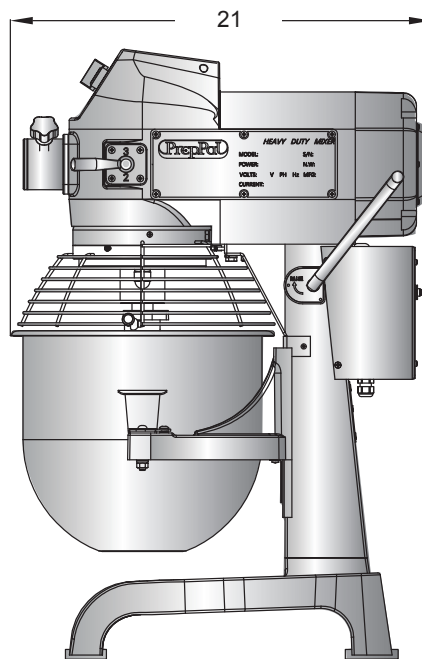
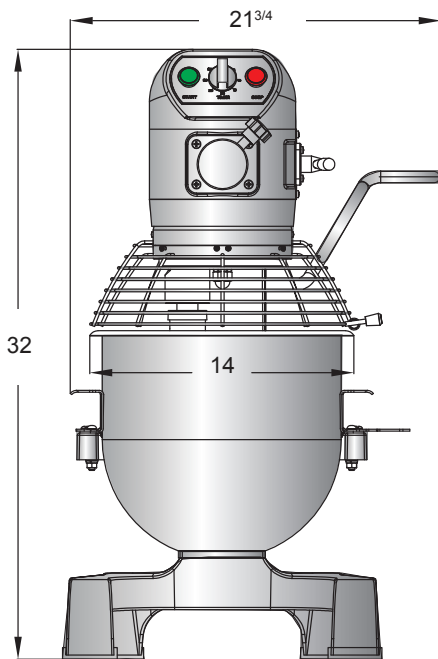
1 YEAR PARTS AND LABOR WARRANTY (US ONLY)



## SPECIFICATIONS

Model	HP	Watts (W)	Voltage (V/Hz/Ph)	Amps (A)	Capacity (Quarts)	Exterior Dimensions (inch)	Net Weight (lbs)	Gross Weight (lbs)	Agitator Speed (RPMs)		
									First (low)	Second (intermediate)	Third (high)
PPM-20	1 <sup>1/2</sup>	1100	115/60/1	14	20	21 <sup>3/4</sup> ×21×32	211	246	106	180	367

## PLAN VIEW



## STANDARD ACCESSORY PACKAGE

Mixing Bowl



Dough Hook



Wire whip



Flat beater



**NEMA 5-15P**



NEMA  
15A/125V