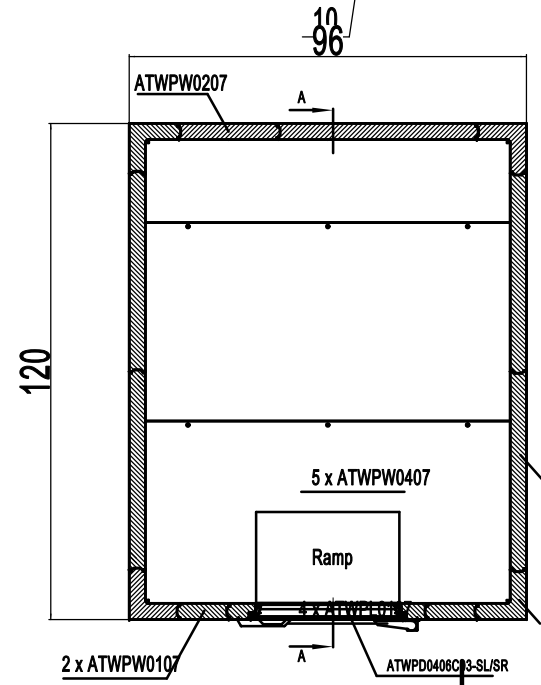
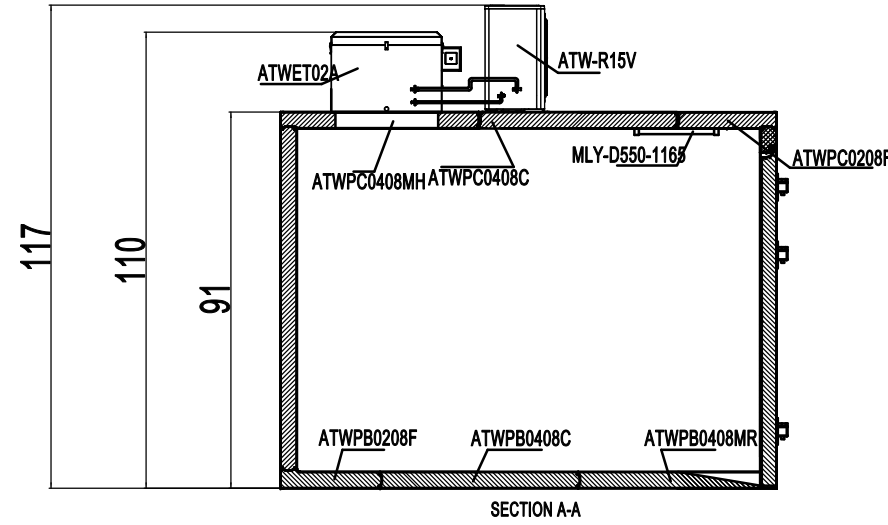
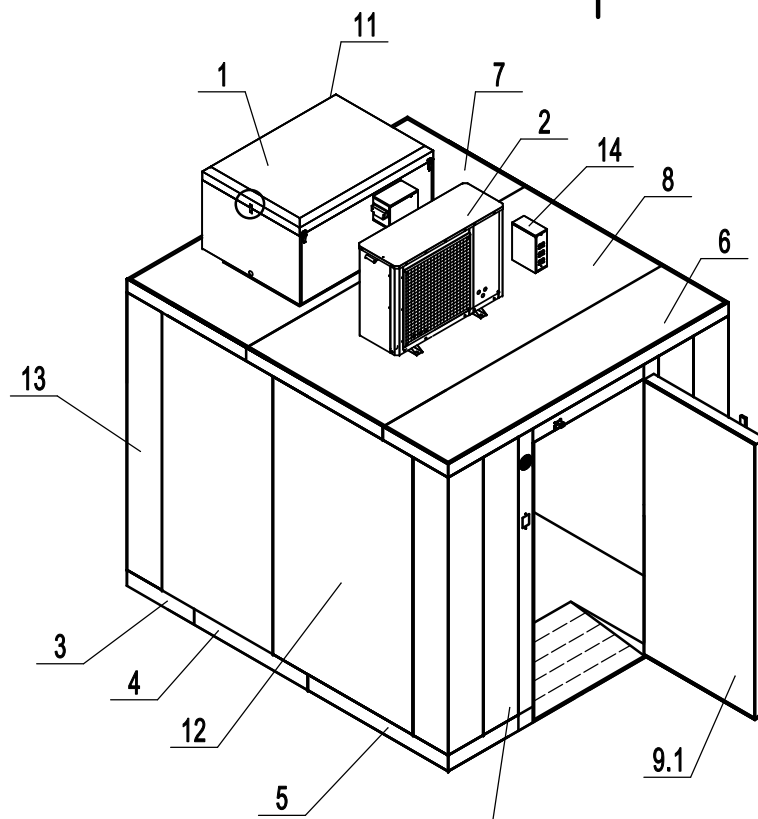
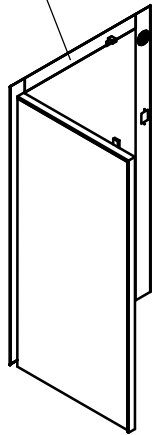


AWC 0810-TF(RR/RL)

REV 11.2024

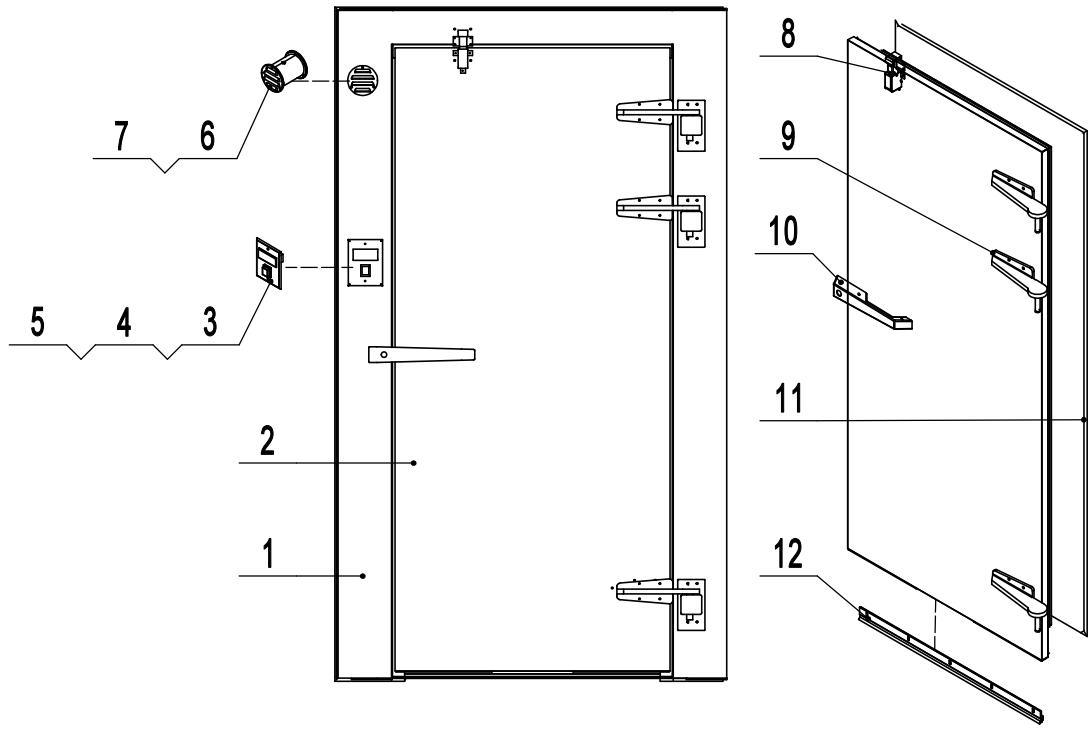
9.2



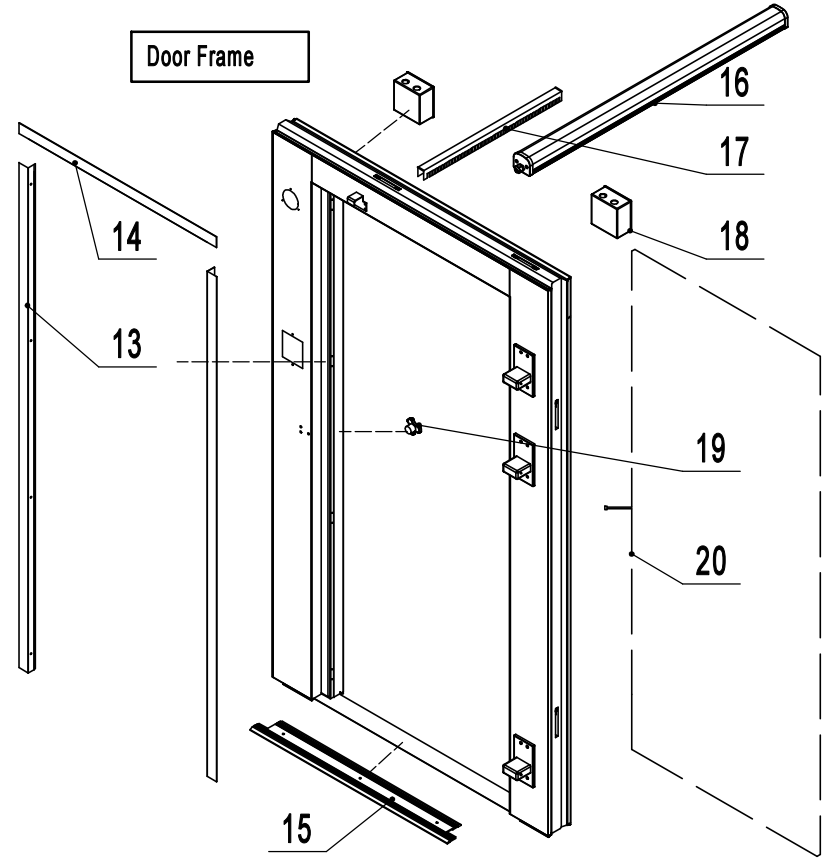
|     |                 |              |                                                          |     |
|-----|-----------------|--------------|----------------------------------------------------------|-----|
| 15  | MLY-D550-1165   | N/A          | 48" LED Light for Walk-in and Wire Channel               | 1   |
| 14  | WACD001204000   | N/A          | Distribution Box Assembly                                | 1   |
| 13  | ATWPL0107       | ATWPL0107    | Walk-in Corner Wall Panel, 1'x1'                         | 4   |
| 12  | ATWPW0407       | ATWPW0407    | Walk-in Wall Panel, 4'                                   | 5   |
| 11  | ATWPW0207       | ATWPW0207    | Walk-in Wall Panel, 2'                                   | 1   |
| 10  | ATWPW0107       | ATWPW0107    | Walk-in Wall Panel, 1'                                   | 2   |
| 9.2 | ATWPD0406C03-SL | N/A          | Walk-in Door, 3', and Door Frame Panel, 4'(Left-Hinged)  | 1   |
| 9.1 | ATWPD0406C03-SR | N/A          | Walk-in Door, 3', and Door Frame Panel, 4'(Right-Hinged) | 1   |
| 8   | ATWPC0408C      | ATWPC0408C   | Walk-in Ceiling Panel, 4'x8' Center Panel                | 1   |
| 7   | ATWPC0408MH     | ATWPC0408MH  | Walk-in Ceiling Panel, 4'x8', Male Side with Opening     | 1   |
| 6   | ATWPC0208F      | ATWPC0208F   | Walk-in Ceiling Panel, 2'x8', Female Side                | 1   |
| 5   | ATWPB0408MR     | N/A          | Walk-in Floor Panel, 4'x8', Male Side, Inner Ramp        | 1   |
| 4   | ATWPB0408C      | ATWPB0408C   | Walk-in Floor Panel, 4'x8', Center Panel                 | 1   |
| 3   | ATWPB0208F      | ATWPB0208F   | Walk-in Floor Panel, 2'x8', Female Side                  | 1   |
| 2   | ATW-R15V        | ATW-R15V     | Walk-in Condensing Unit                                  | 1   |
| 1   | ATWET02A        | ATWET02A     | Evaporating Unit, Top Mount, with 2 Fan Motors           | 1   |
| No. | Part # (New)    | Part # (Old) | Part Name                                                | Qty |

Unit: inch

**Door Assembly**



**Door Frame**

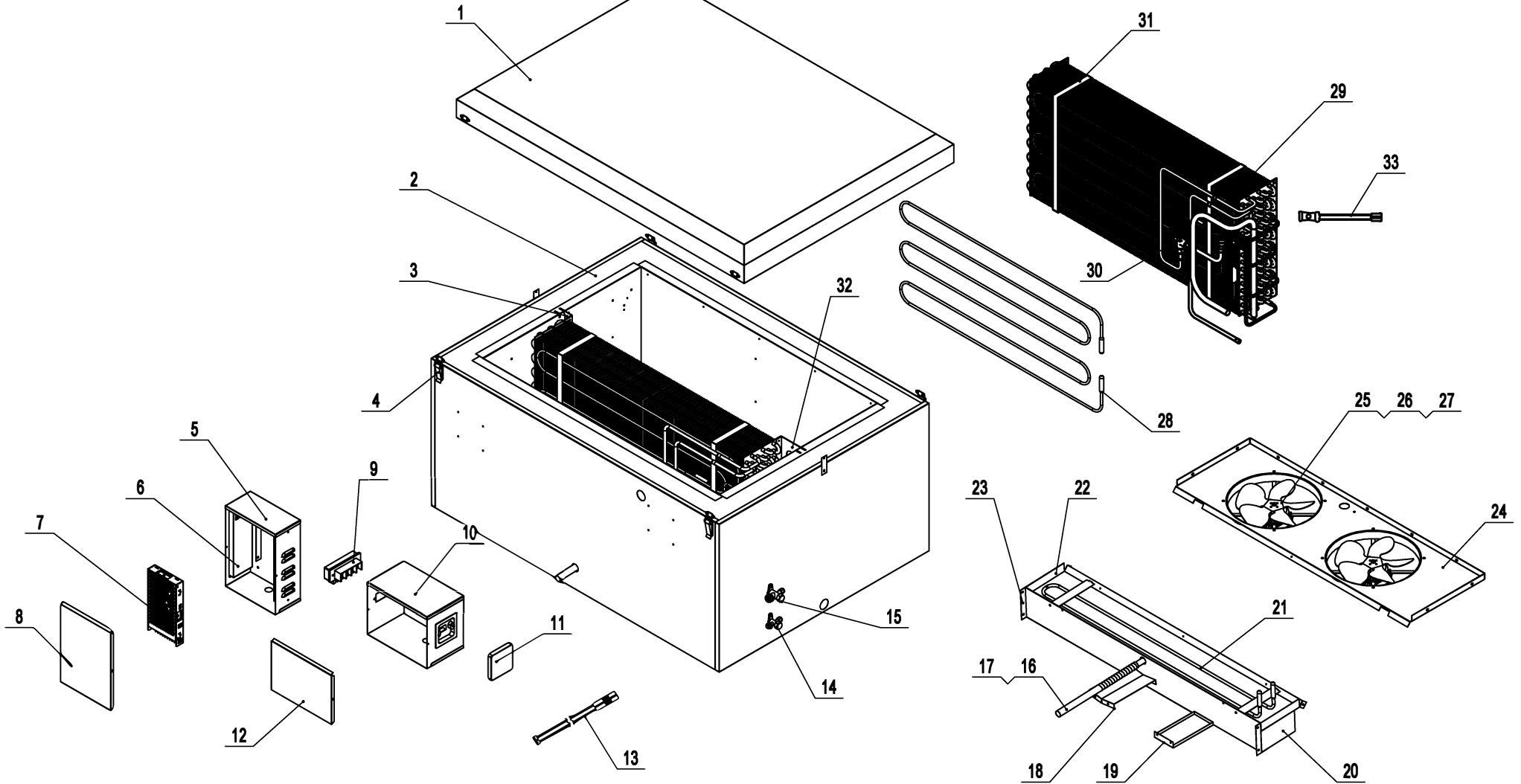


|    |              |                              |   |
|----|--------------|------------------------------|---|
| 20 | W0310A03     | Door Frame Heater            | 1 |
| 19 | W0401046     | Inside Safety Release Handle | 1 |
| 18 | W0309237     | Electric Terminal Box        | 2 |
| 17 | R04012001503 | LED Light Wire Channel       | 1 |
| 16 | R03004000110 | LED Light                    | 1 |
| 15 | W0499772     | Threshold Cover              | 1 |
| 14 | 10140W017    | Door Frame Top Cover         | 1 |
| 13 | 10140W018    | Door Frame Side Cover        | 2 |
| 12 | W0410A27     | Door Bottom Cover            | 1 |
| 11 | W0404948     | Door Gasket                  | 1 |
| 10 | W0604243     | Door Latch Assembly          | 1 |

| 9   | W0604241      | Door Hinge                        | 3   |
|-----|---------------|-----------------------------------|-----|
| 8   | W0604242      | Door Closer                       | 1   |
| 7   | W0310A04      | Air-Pressure Relief Vent Heater   | 1   |
| 6   | W0399302      | Air-Pressure Relief Vent Assembly | 1   |
| 5   | ATWET02107000 | Display Panel                     | 1   |
| 4   | W0302224      | Temperature Display               | 1   |
| 3   | W0308019      | Light Switch                      | 1   |
| 2   |               | Door                              | 1   |
| 1   |               | Door Frame                        | 1   |
| No. | Part No.      | Description                       | Qty |

The specifications of the parts may be subject to change without prior notice. Atosa has the final right of interpretation for this notice.

ATWE-T02A



|    |              |                             |   |    |                  |                           |   |
|----|--------------|-----------------------------|---|----|------------------|---------------------------|---|
| 33 | R03008000032 | Thermo Cutoff               | 1 | 19 | 10140E001        | Suction Tube Splash Block | 1 |
| 32 | 10140E007    | Evap Right Fastner          | 1 | 18 | 10140E003        | Drain Hose Splash Block   | 1 |
| 31 | 10140E020    | Evap Defrost Tube Fastner   | 2 | 17 | W0310067         | Drain Hose Heating Tube   | 1 |
| 30 | W0206010     | Thermo Expansion Valve      | 1 | 16 | W0414031         | Drain Pipe                | 1 |
| 29 | W0202675     | Evaporator                  | 1 | 15 | W0205036         | T Shut Off Valve          | 1 |
| 28 | W0311105     | Evap Heating Tube           | 1 | 14 | W0205035         | T Shut Off Valve          | 1 |
| 27 | W0301056     | Evap Fan Blade              | 2 | 13 | R03019000031     | Temperature Sensor        | 1 |
| 26 | W0301131     | Evap Fan Motor              | 2 | 12 | 10140E009        | Controller Box Cover      | 1 |
| 25 | R03001000001 | Evap Fan Motor Bracket      | 2 | 11 | N/E              | Controller                | 1 |
| 24 | 10140E005    | Evap Front Cover            | 1 | 10 | ATW0606104003500 | Controller Box            | 1 |
| 23 | 10140E023    | Drain Pan Fastner           | 1 | 9  | W0309300         | Terminal Block            | 1 |
| 22 | 10140E006    | Evap Drain Pan              | 1 | 8  | ATW0606103011500 | Power Supply Box Cover    | 1 |
| 21 | W0311106     | Evap Drain Pan Heating Tube | 1 | 7  | W0399145         | Power Supply/Transformer  | 1 |
| 20 | R08011000004 | Evap Drain Pan Foam         | 1 | 6  | ATW0606103014500 | Power Supply Water Guard  | 2 |

|     |                  |                   |     |
|-----|------------------|-------------------|-----|
| 5   | ATW0606103012500 | Power Supply Box  | 1   |
| 4   | W0604244         | Latch             | 4   |
| 3   | 10140E008        | Evap Left Fastner | 1   |
| 2   | ATW10140-EF01    | Evap Cabinet      | 1   |
| 1   | ATW10140-EF02    | Evap Top Cover    | 1   |
| No. | Part #           | Part Name         | Qty |