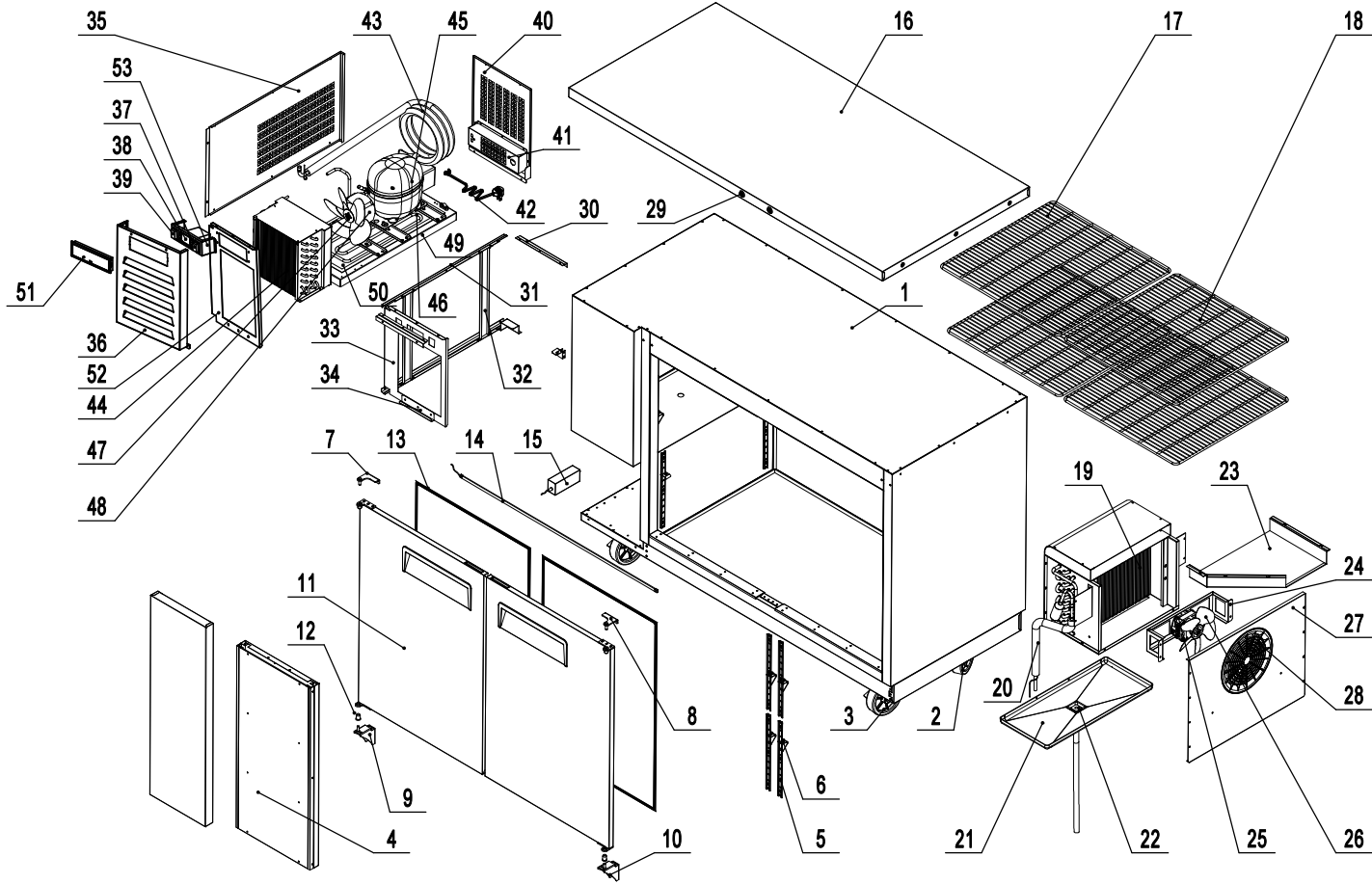


MBB69GR-AUS1

REV 11.2024



| No. | Part # | Part Name | Qty | No. | Part # | Part Name | Qty | No. | Part # | Part Name | Qty |
|-----|---------------|---|-----|-----|------------|--|-----|-----|-------------------|----------------------------|-----|
| 1 | N/A | Cabinet Assembly | 1 | 18 | W0402380 | Shelf, Top Right & Bottom, 20-5/8 x 18-1/8 | 3 | 36 | MKC58-0715 | Front Air Vent Cover | 1 |
| 2 | B0604401 | 2" M8 Stem Caster W/O Brake | 2 | 19 | W0202061 | Evaporator | 1 | 37 | W0308022 | LED Power Switch | 1 |
| 3 | B0604402 | 2" M8 Stem Caster W/ Brake | 2 | 20 | W0210443 | Evap Coil | 1 | 38 | W0302174-FR6A8M10 | Digital Controller | 1 |
| 4 | MBB0069202000 | Mullion | 1 | 21 | W0411093 | Evap Drain Pan | 1 | 39 | W0308019 | Power Switch | 1 |
| 5 | 00600013 | Shelf Pilaster | 16 | 22 | W0409100 | Drain Pipe | 1 | 40 | MKC58-0703 | Back Air Vent Cover | 1 |
| 6 | 66490313 | Shelf Clip | 16 | 23 | MBB59-0605 | Stack Duct | 1 | 41 | MKC58-0704 | Power Cord Box | 1 |
| 7 | W0604200 | Top Left Hinge | 1 | 24 | MKC58-0612 | Evap Fan Bracket | 1 | 42 | W0305134 | Power Cord | 1 |
| 8 | W0604201 | Top Right Hinge | 1 | 25 | W0301904-1 | Evap Fan Motor | 1 | 43 | W0210442 | Suction Tube | 1 |
| 9 | W0604202 | Bottom Left Hinge | 1 | 26 | W0301059 | Evap Fan Blade | 1 | 44 | W0203065 | Condenser | 1 |
| 10 | W0604203 | Bottom Right Hinge | 1 | 27 | MKC58-0607 | Evap Cover | 1 | 45 | W0201041 | Compressor | 1 |
| 11 | MBB0059201000 | Left Door | 1 | 28 | W0409080 | Evap Fan Shroud | 1 | 46 | W0210440 | Condenser Coils | 1 |
| 11 | MBB0059201020 | Right Door | 1 | 29 | W0604007 | Lock&Key | 2 | 47 | W0301060 | Condenser Fan Blade | 1 |
| 12 | W0409900 | Door Shaft Sleeve | 4 | 30 | MKC58-0706 | Front Air Vent Frame Support | 2 | 48 | W0301905-1 | Condenser Fan Motor | 1 |
| 13 | W0404066 | Door Gasket | 2 | 31 | MKC58-0707 | Left Air Vent Frame Support | 2 | 49 | MKC58-0801 | Condensing Unit Base Board | 1 |
| 14 | W0304082 | LED Light | 1 | 32 | MKC58-0708 | Unit Frame Support | 2 | 50 | W0411077 | Drain Pan | 1 |
| 15 | W0399115 | Power Supply/Transformer | 1 | 33 | MKC58-0712 | Condenser Air Baffle | 1 | 51 | W0409887 | Controller Cover | 1 |
| 16 | MBB69-0301 | Counter Top Assembly | 1 | 34 | MKC58-0709 | Unit Front Cover Fastner | 1 | 52 | MKC58-0714 | Condenser Air Baffle | 1 |
| 17 | W0402381 | Shelf (Wide), Top Left, 21-7/8" x 18-1/8" | 1 | 35 | MKC58-0702 | Left Air Vent Cover | 1 | 53 | MKC58-0713 | Controller Bracket | 1 |