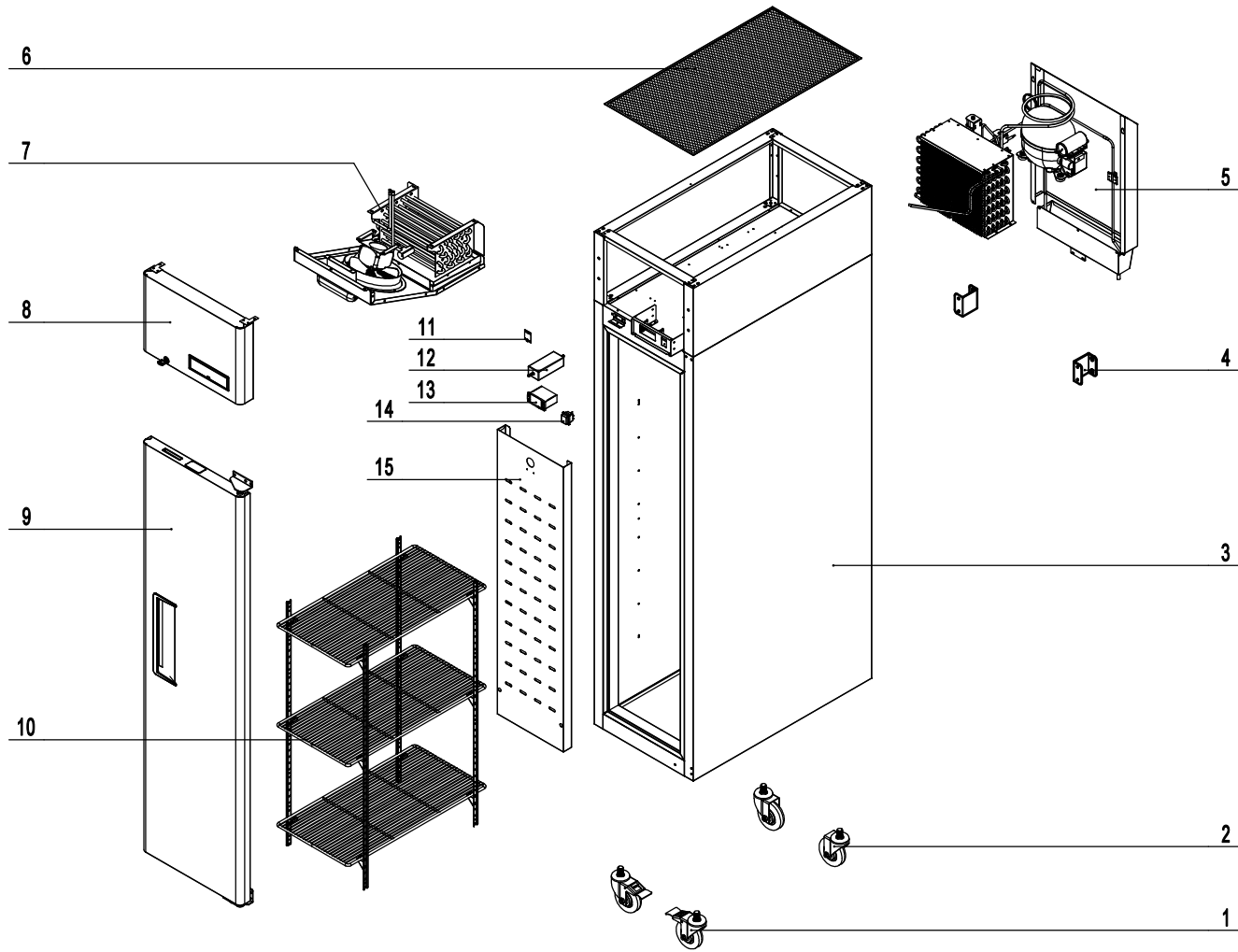


**MBF15FS**  
**REV 11.2024**

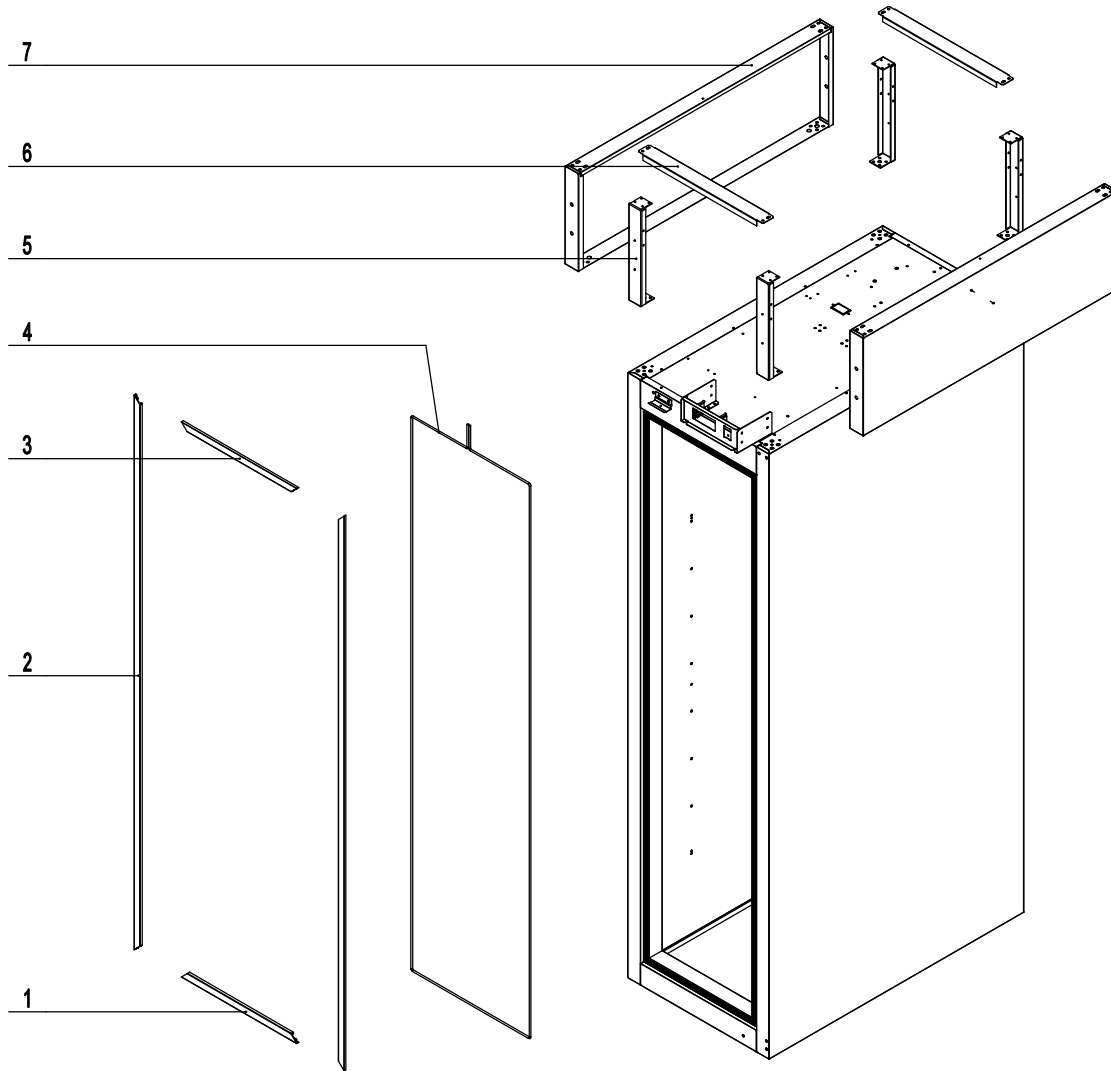


15	ATSF015104008430	Air Deflector	1
14	W0308019	Green Power Switch	1
13	W0302175	Digital Controller	1
12	W0399115	Power Supply/Transformer	1
11	W0399148	LED Control Board	1
10	F015GR-SA	Shelf Assembly	1
9	F015GR-MDA	Door Assembly	1
8	F015GR-MTPA	Top Panel Assembly	1
7	F015GR-EA	Evaporator Assembly	1

No.	Part #	Part Name	Qty
6	R06005000001	Top Barrier	1
5	F015GR-CCA	Comp&Cond Assembly	1
4	ATSF015309001201	Wall Mounting Bracket	2
3	F015GR-CA	Cabinet Assembly	1
2	B0604413	4" M14 Stem Caster W/O Brake	2
1	B0604421	4" M14 Stem Caster W/ Brake	2

MBF15FS-CA

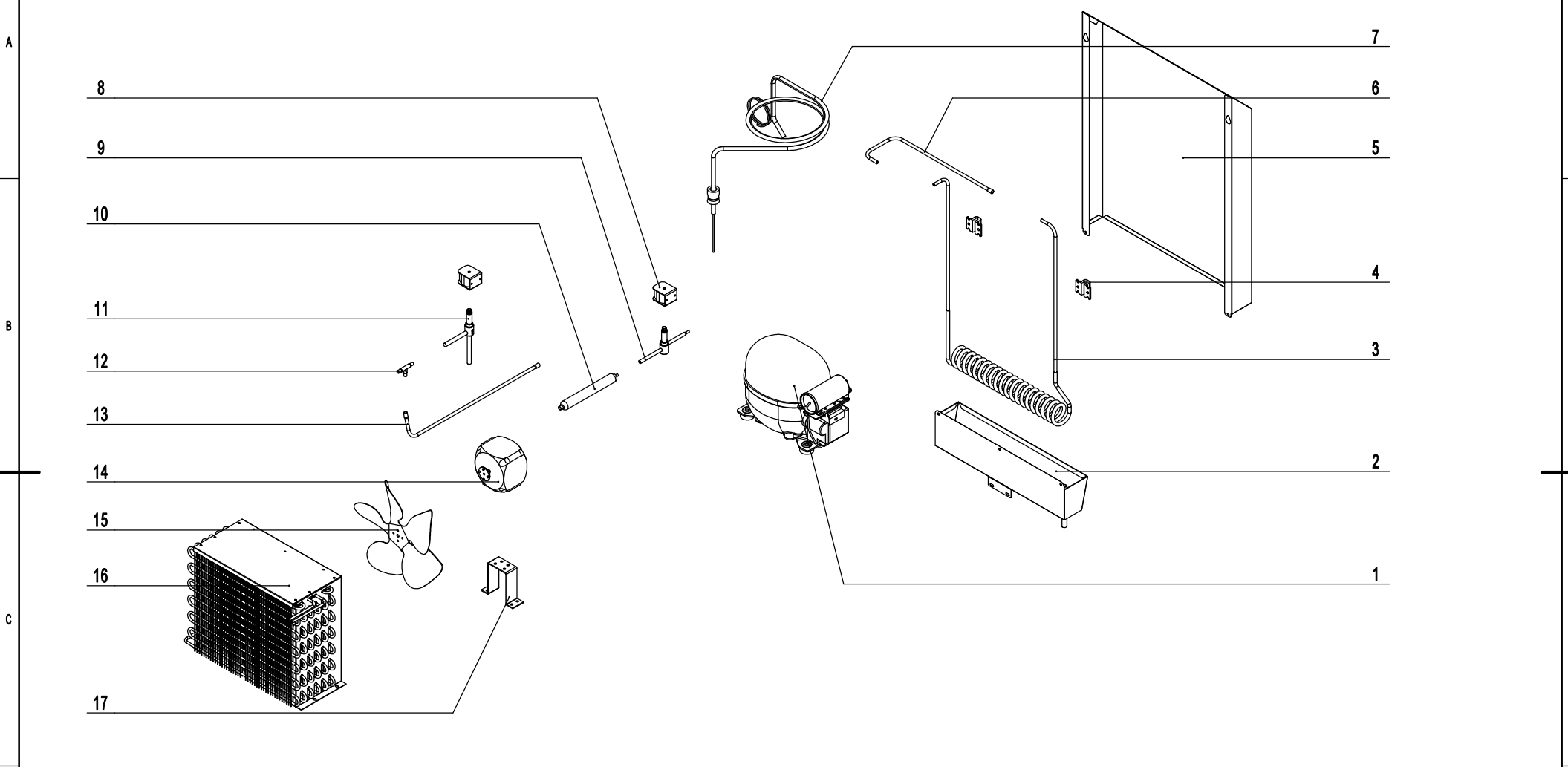
REV 11.2024



7	ATSF015112001430	Top Side Panel	2
6	ATSF015112002500	Top Long Reatiner Rack	2
5	80011810	Side Panel Frame	4
4	R02016000069	Cabinet Heating Copper Tube	1
3	R04012000033	Top Frame Cover	1
2	W0410481	Left-Right Frame Cover	2
1	R04012000034	Bottom Frame Cover	1
<b>No.</b>	<b>Part #</b>	<b>Part Name</b>	<b>Qty</b>

MBF15FS-CCA

REV 11.2024



17	80061601	Condenser Fan Bracket	1
16	W0203073	Condenser	1
15	W0301061	Condenser Fan Blade	1
14	W0301918	Condenser Fan Motor	1
13	R02016000010	Discharge Tube To Tee	1
12	W0208017	Tee Copper Joint	1
11	W0205026	Solenoid Valve(Normally Close)	1
10	W0204101	Filter Drier	1
9	W0205031	Solenoid Valve(Normally Open)	1
8	W0205025	Solenoid Valve Coil	2
7	R02016000011	Suction Tube A	1
6	R02016000008	Discharge Tube From Comp	1
5	ATSF015103006500	Air Deflector	1
4	W0413062	Discharge Tube Retainer Pad	2
3	R02016000009	Discharge Tube	1
2	ATSF015103007304	Condenser Drain Pan	1
1	W0201044	Compressor	1
<b>No.</b>	<b>Part #</b>	<b>Part Name</b>	<b>Qty</b>

1 2 3 4 5 6

**MBF15FS-TPA**

**REV 11.2024**

A

B

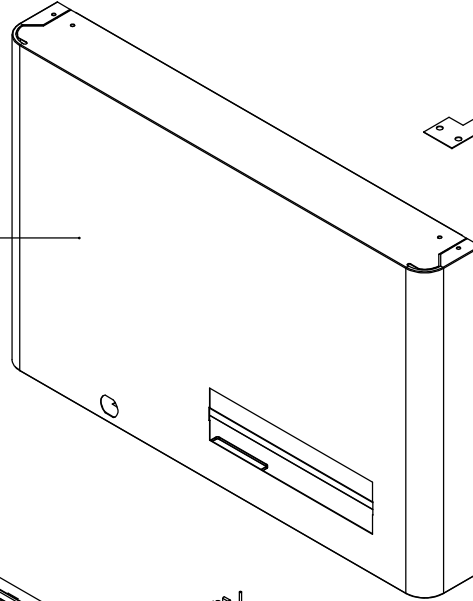
C

D

1



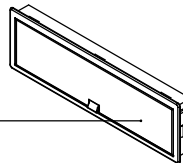
2



3



4



5



5	W0409161	Grey Panel Magnetic Switch	1
4	W0409887	Controller Cover	1
3	W0604007	Lock & Key	1
2	ATSF015111001430	Top Panel	1
1	80021404	Top Panel Corner Brace	2
<b>No.</b>	<b>Part #</b>	<b>Part Name</b>	<b>Qty</b>

1

2

3

4

5

6

A

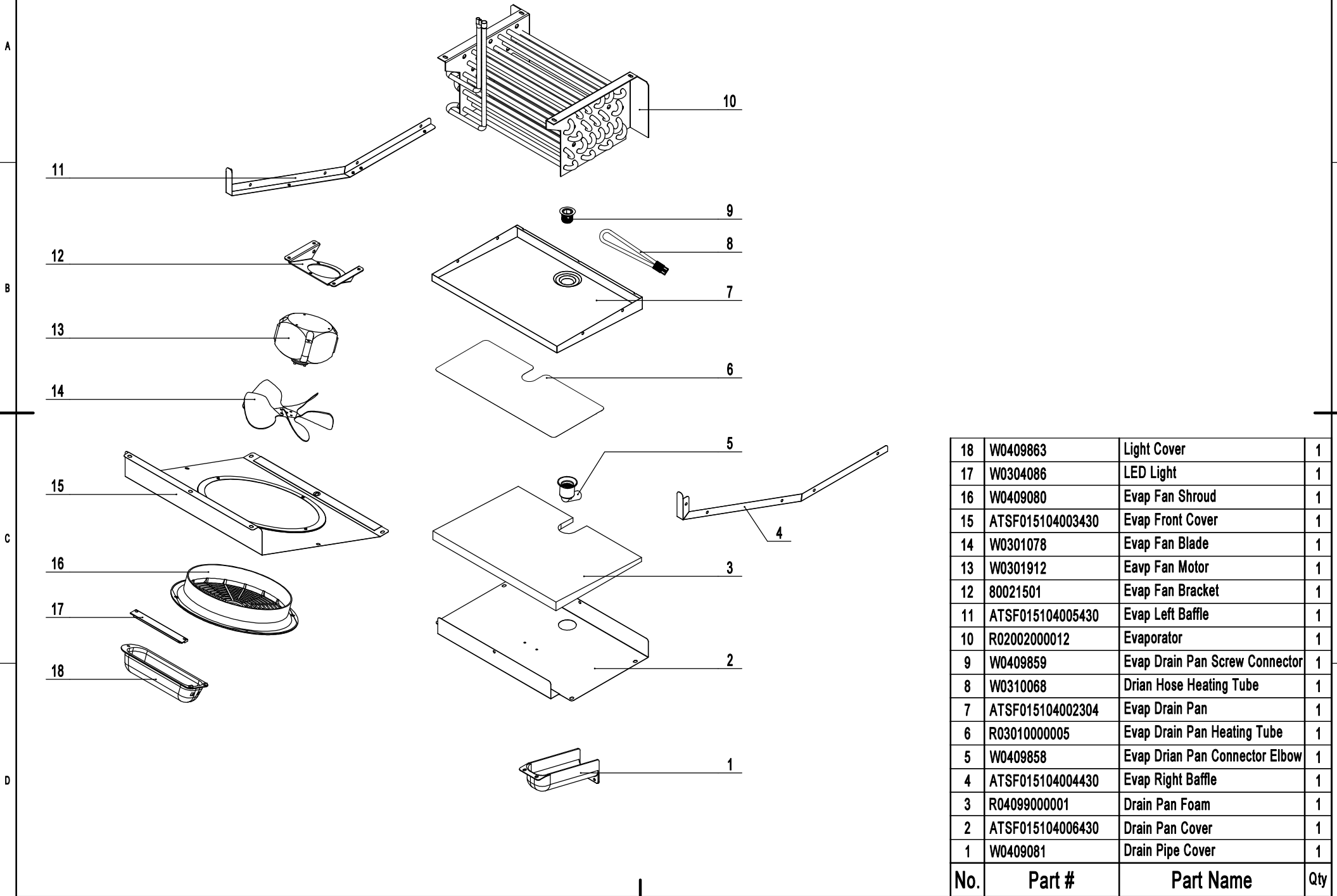
B

C

D

MBF15FS-EA

REV 11.2024



18	W0409863	Light Cover	1
17	W0304086	LED Light	1
16	W0409080	Evap Fan Shroud	1
15	ATSF015104003430	Evap Front Cover	1
14	W0301078	Evap Fan Blade	1
13	W0301912	Eavp Fan Motor	1
12	80021501	Evap Fan Bracket	1
11	ATSF015104005430	Evap Left Baffle	1
10	R02002000012	Evaporator	1
9	W0409859	Evap Drain Pan Screw Connector	1
8	W0310068	Drian Hose Heating Tube	1
7	ATSF015104002304	Evap Drain Pan	1
6	R03010000005	Evap Drain Pan Heating Tube	1
5	W0409858	Evap Drian Pan Connector Elbow	1
4	ATSF015104004430	Evap Right Baffle	1
3	R04099000001	Drain Pan Foam	1
2	ATSF015104006430	Drain Pan Cover	1
1	W0409081	Drain Pipe Cover	1
No.	Part #	Part Name	Qty

MBF15FS-SA

REV 11.2024

A

B

C

D

1

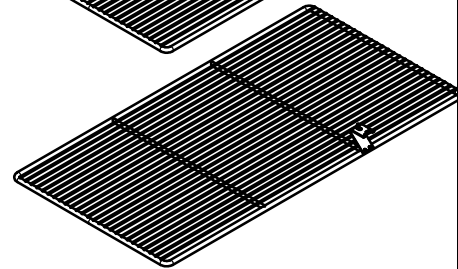
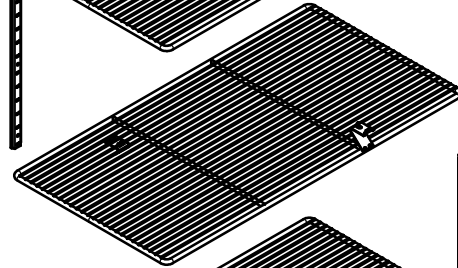
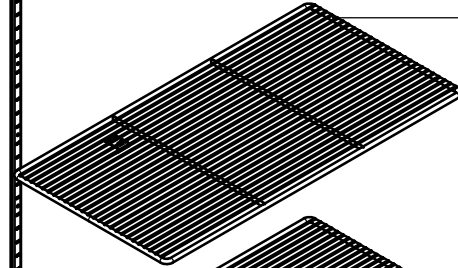
2

3

4

5

6



3

2

1

3	R06004000003	Shelf	3
2	66490313	Shelf Clip	12
1	80037410	Shelf Pilaster	4
No.	Part #	Part Name	Qty

1

2

3

4

5

6

A

B

C

D