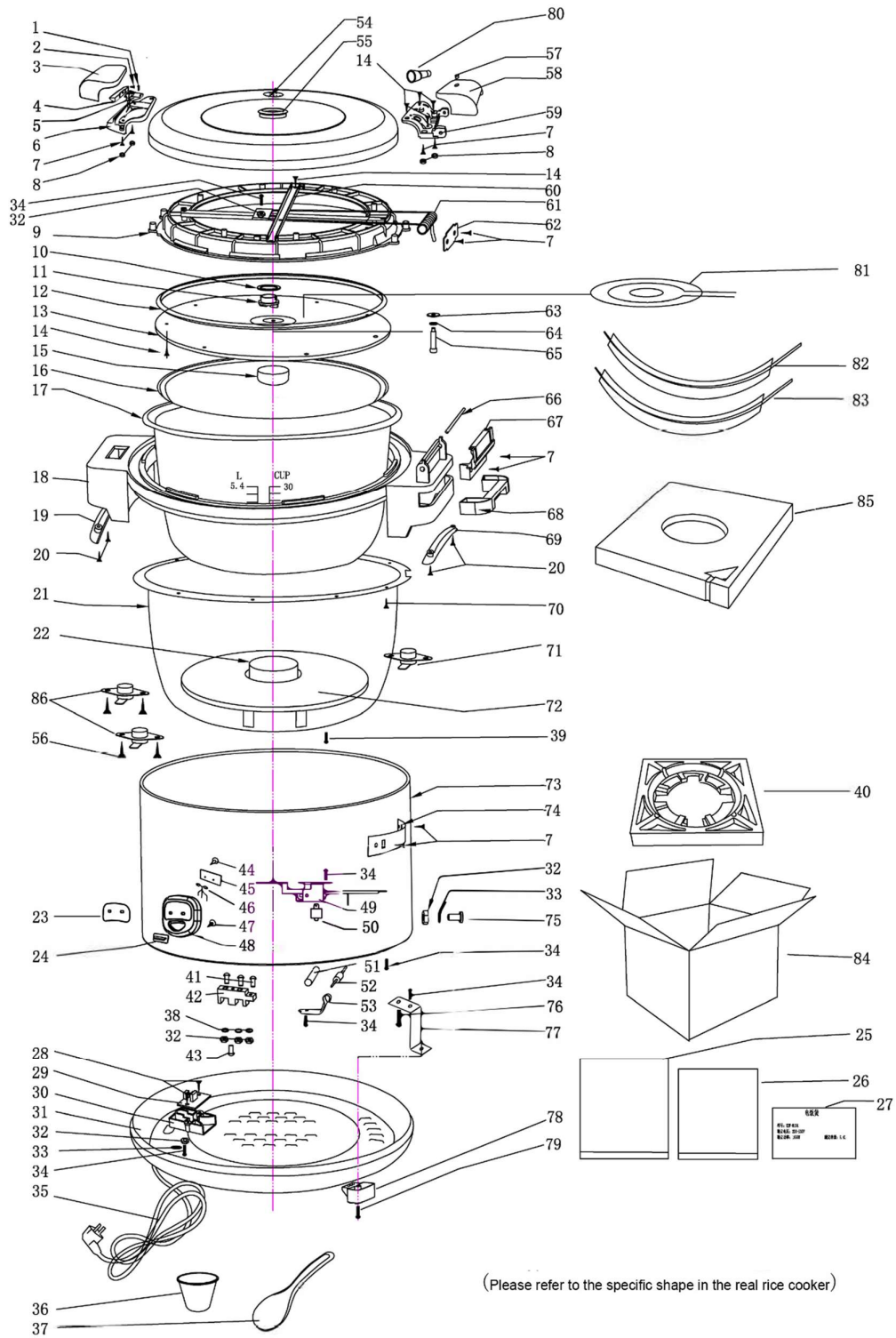


EXPLODED VIEW of 5.4L RICE COOKER



Parts List

Part List					
NO.	Name	Quantity	Specification	Material	Remark
1	Nuts	1	M4*12	Galvanized Iron	
2	Screw	1	M3*12	Galvanized Iron	ROHS
3	Front Side Handle	1	Common Part	PA6	
4	Plastic Key of Cover	1	Common Part	PA6	
5	Close Button	1	T=2.0mm	Stainless Steel	
6	Front Inner Handle	1	Common Part	PA6	
7	S/S Screw	12	M4*16	Stainless Steel	
8	Ornament Idiosome	4	Common Part	PA6	
9	Plastic Inner Cover	1	Ø381.5mm	PA6	
10	Gasket Ring	1	T=1.2mm	Silicone Rubber	
11	Evacuation Valve	1		PA6	
12	Gasket Ring of Top Cover	1		Silicone Rubber	
13	Inner Lid	1	T=0.8mm	Alloy Aluminum	
14	S/S Screw	16	M4*10	Stainless Steel	
15	Silicone Cup	1	Ø45*20	Silicone Rubber	
16	Under Lid	1	T=0.8mm	Alloy Aluminum	
17	Inner Pot	1	T=1.7mm	Alloy Aluminum	
18	Middle Ring	1	Ø382mm	PA6	
19	Front Side Handle Base	1	Common Part	PA6	
20	Screw	4	M4*10	Galvanized Iron	ROHS
21	Iron Middle Housing	1	T=0.5mm	Cold Rolled Sheet With Coating	ROHS
22	Temperature Limiter	1	150-160°C		ROHS
23	Panel Sticker	1		Adhesive Sticker	
24	Function Key	1		PP	
25	Pastic Bag	3	120*600mm	Plastic	
26	Pastic Bag	1	50*500mm	Plastic	
27	Rating Label	1	Rice Cooker		
28	Screw	2	M4*14	Galvanized Iron	ROHS
29	Holder Clip of Power Line	1	Common Part	PA6	
30	Holder of Power Line	1	Common Part	PA6	
31	Bottom	1	T=0.5mm	Cold Rolled Sheet	
32	Nuts	5	M4	Galvanized Iron	ROHS
33	Nuts	2	M4	Galvanized Iron	ROHS
34	Nuts	9	M4*8	Galvanized Iron	ROHS
35	Power Cord	1			KAIHUA
36	Measuring Cup	1	180ml	PP	
37	Rice Spoon	1	Common Part	PP	
38	Screw	3	M4	Galvanized Iron	ROHS
39	Nuts	7	M4*8	Stainless Steel	
40	Bottom Packing Foam	1		Foam	ROHS
41	Nuts	3	M4*8	Galvanized Iron	ROHS
42	Joint Porcelain	1	Three Cord	Ceramic	
43	Nuts	1	M4*24	Galvanized Iron	ROHS

44	Screw	2	M3*8	Galvanized Iron	ROHS
45	Light Platen	1		PP	
46	Guiding Lights	1			
47	Screw	4	M4*6	Galvanized Iron	ROHS
48	Control Panel	1		PA6	
49	Lever	1	T=1.0mm	Electrolytic Plate	ROHS
50	Microswitch	1	V-15-1C5		ROHS
51	Casing of Fuse	1	Ø6*8	Outer: Braided, Inner: Silicone Tube	
52	NEC Fuse	1	15A 192°C SF229R0		
53	Fixed Hold of Fuse	1	T=0.5mm	Aluminum Plating	ROHS
54	Cover	1	T=0.6mm	Stainless Steel	
55	Silicone Ring	1	2	Silicone Rubber	
56	Screw	4	M3*8mm	Galvanized Iron	
57	Lamp Shade	1	Common Part	PP	
58	Back Outer Handle	1	Common Part	PA6	
59	Back Side Handle	1	Common Part	PA6	
60	Fixed Hold of Top Cover	2	T=1.0mm	Electrolytic Plate	ROHS
61	Spring	1	Φ2.5	Stainless Steel	
62	Spring Platen	1	T=1.0mm	Electrolytic Plate	ROHS
63	Aluminum Rivet	1	Φ4.2*Φ15*1	Aluminum	
64	Stainless Sttel Rivet	1	Φ4.2*Φ9*1	Stainless Steel	
65	Rivet	1	Φ6*24	Aluminum	
66	Through Pin of Middle Ring	1	Φ6*118	Stainless Steel	
67	Spring Cover	1	Common Part	PA6	
68	Water Collector	1	Common Part	AS	
69	Base of Back Handle	1	Common Part	PA6	
70	Screw	6	M4*8	Galvanized Iron	ROHS
71	Snap Thermostat	1	T1/33 10A 125V 75°C		
72	Heating Plate	1	120V 1550W	Aluminum	ROHS
73	Housing	1	T=0.5mm	Stainless Steel	
74	Fixed Trip of Housing	2	T=1.0mm	Electrolytic Plate	ROHS
75	Nuts	3	M4*8	Galvanized Iron	ROHS
76	Nuts	4	M5*8	Galvanized Iron	ROHS
77	Outside Seam	4	T=1.2mm	Electrolytic Plate	ROHS
78	Foot	5	Common Part	PP	
79	Screw	5	M4*30	Galvanized Iron	ROHS
80	Hat of Insulated Wire	4	Φ6*20		
81	Keep Warm Wire of Top Cover	1	120V-13W		
82	Middle Keep Warm Wire	1	120V-30W		
83	Middle Keep Warm Wire	1	120V-60W		
84	Packing Carton	1	455*455*380mm		
85	Upper Packing Foam	1		Foam	
86	Snap Thermostat	2		KSD301-N 16A 125V 170°C	