



**"WE MAKE THE KITCHEN BETTER!"**

**ATOSA USA, INC.**

**Toll Free: 855-855-0399 Email: info@atosausa.com**

www.atosa.com | www.atosausa.com

California, Colorado, Florida, Georgia, Illinois,  
New Jersey, Ohio, Texas, Washington

# Worktop Refrigerators with Backsplash

## Standard Features

- Stainless steel exterior & interior with reinforced stainless steel top with foamed in place backsplash
- Environmentally friendly R290 refrigerant
- Electronic temperature controller
- Maintains temperatures between 33°F – 40°F
- Recessed door handle(s)
- Self-closing door(s) with stay open feature
- Magnetic door gasket(s) standard for positive door seal
- Pre-installed casters
- One (1) pre-installed shelf per section

## Optional Accessories

- Extra shelves – includes 4 shelf clips per shelf  
MGF8408GR - shelf part#:W0402568  
MGF8409GR - shelf part#:W0402171  
MGF8410GR - shelf part#:W0402569

For the best results of food preservation we recommend setting your freezer between -8°F to 0°F

1. Don't forget to leave the unit some room to breathe!
2. Please clean the condenser frequently to give the unit more fresh air.



2 YEAR PARTS AND LABOR WARRANTY  
5 YEAR COMPRESSOR PART WARRANTY

## MODELS:

MGF8408GR / MGF8409GR / MGF8410GR



**MGF8408GR**



**MGF8409GR**



**MGF8410GR**





**"WE MAKE THE KITCHEN BETTER!"**

**ATOSA USA, INC.**

Toll Free: 855-855-0399 Email: [info@atosausa.com](mailto:info@atosausa.com)

[www.atosa.com](http://www.atosa.com) | [www.atosausa.com](http://www.atosausa.com)

California, Colorado, Florida, Georgia, Illinois,

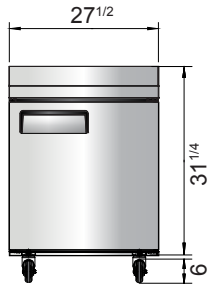
New Jersey, Ohio, Texas, Washington

**SPECIFICATIONS**

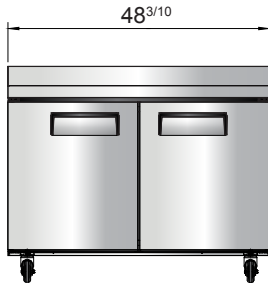
Models	Door	Capacity (Cu.Ft.)	Shelves	Casters (inch)	Amps (A)	Voltage (V/Hz/Ph)	HP	Refrigerant	Exterior Dimensions (inch)	Net Weight (lbs)	Gross Weight (lbs)
MGF8408GR	1	7.2	1	4	2.3	115/60/1	1/7	R290	27 <sup>1/2</sup> ×30×39 <sup>4/5</sup>	137	176
MGF8409GR	2	13.4	2	4	2.3	115/60/1	1/7	R290	48 <sup>3/10</sup> ×30×39 <sup>4/5</sup>	192	242
MGF8410GR	2	17.2	2	4	2.8	115/60/1	1/5	R290	60 <sup>1/5</sup> ×30×39 <sup>4/5</sup>	218	277

**PLAN VIEW**

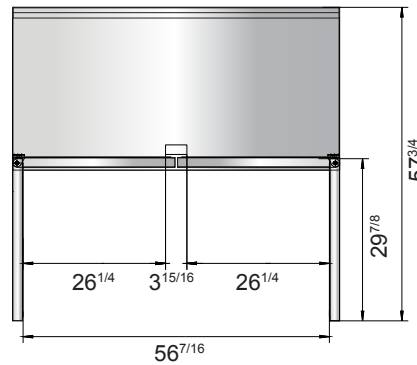
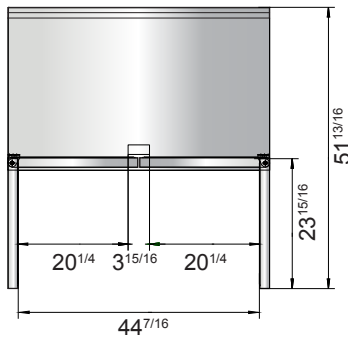
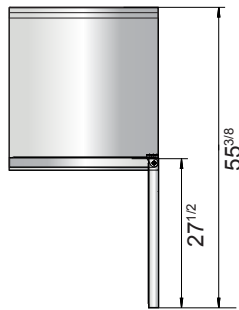
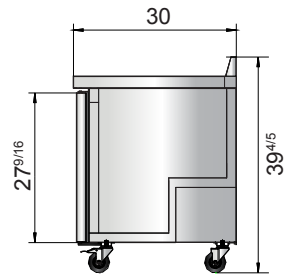
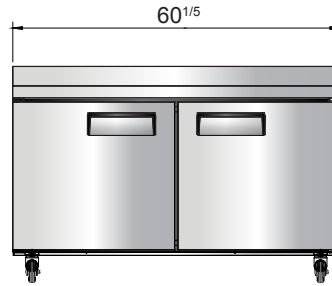
**MGF8408GR**



**MGF8409GR**



**MGF8410GR**



**Casters**



**Epoxy shelves**



**Rear grate**

