

# Heavy Duty Bun Pan Racks

## MODELS:

MPRA-SP / MPRA-7 / MPRA-15 / MPRA-20

### Standard Features

- Aluminum construction
- Full size sheet pans (18" x 26") or half size sheet pans (13" x 18")  
(Note: MPRA-SP can only hold half size sheet pans)
- Available in SP, 7, 15 and 20 pan models
- Swivel casters standard on MPRA-20

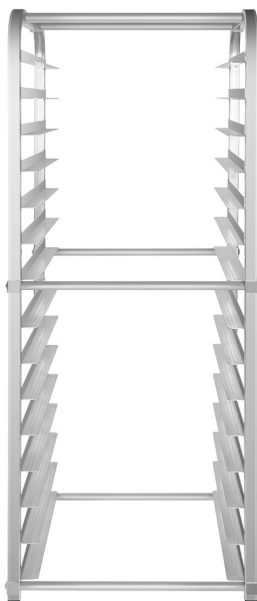
MPRA-SP



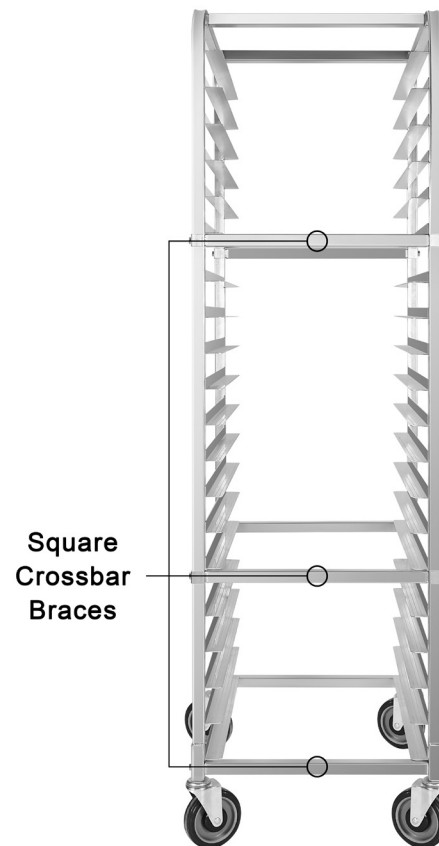
MPRA-7



MPRA-15



MPRA-20



90 DAYS WARRANTY ON WORKMANSHIP

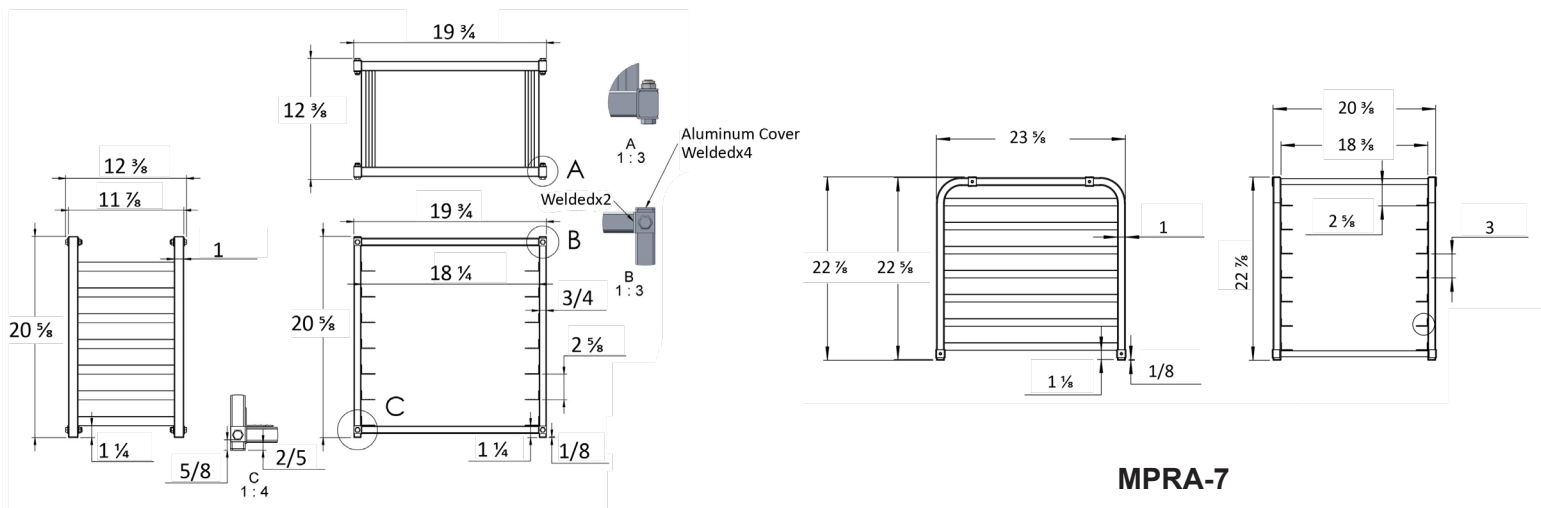


REV. 10/24

## SPECIFICATIONS

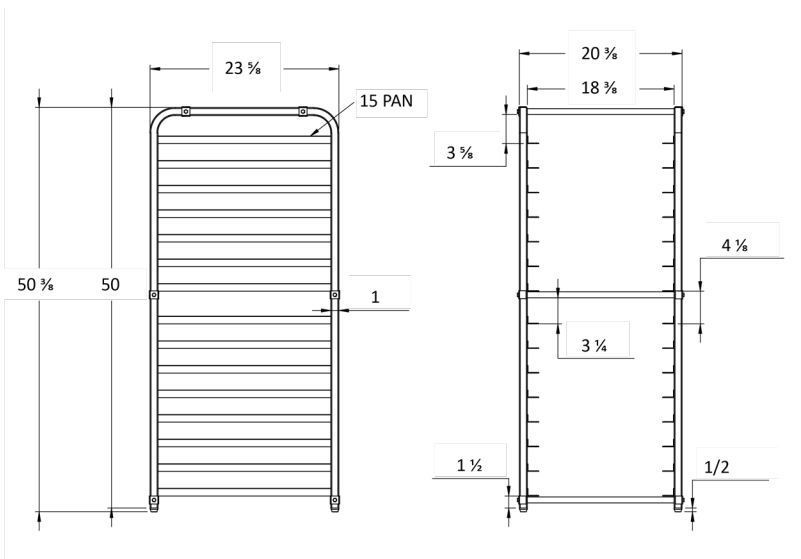
Model	Pan Capacity	Total Weight Capacity (lb)	Interior Dimensions (LxWxH) (inch)	Exterior Dimensions (LxWxH) (inch)
MPRA-SP	7 - 13" x 18 <sup>1/2</sup> "	350	18 <sup>1/4</sup> x 11 <sup>7/8</sup> x 20 <sup>5/8</sup>	19 <sup>3/4</sup> x 12 <sup>3/8</sup> x 20 <sup>5/8</sup>
MPRA-7	7 - 18" x 26" or 14 - 13" x 18"	350	18 <sup>3/8</sup> x 21 <sup>5/8</sup> x 22 <sup>5/8</sup>	20 <sup>3/8</sup> x 23 <sup>5/8</sup> x 22 <sup>7/8</sup>
MPRA-15	15 - 18" x 26" or 30 - 13" x 18"	500	18 <sup>3/8</sup> x 21 <sup>5/8</sup> x 50	20 <sup>3/8</sup> x 23 <sup>5/8</sup> x 50 <sup>3/8</sup>
MPRA-20	20 - 18" x 26" or 40 - 13" x 18"	550	18 <sup>1/4</sup> x 24 x 64 <sup>1/2</sup>	20 <sup>1/4</sup> x 26 x 70 <sup>1/2</sup>

## PLAN VIEW

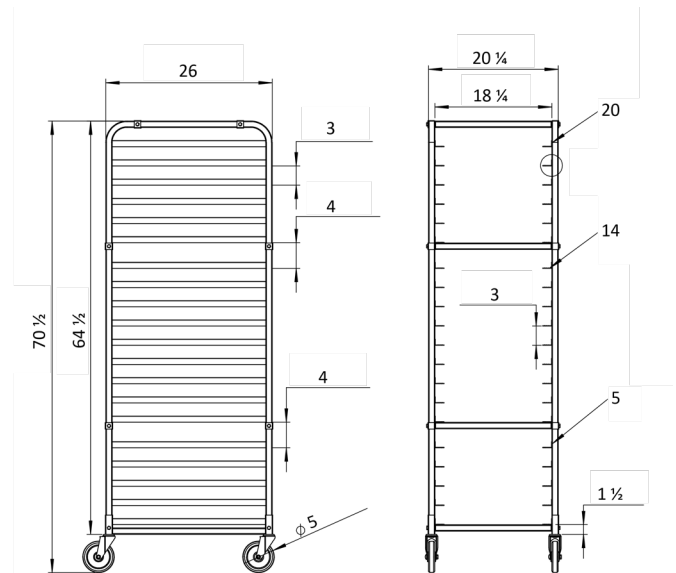


MPRA-7

MPRA-SP



MPRA-15



MPRA-20